



## Two-Speed Transmission Installation Instructions

Covers Parts #9891

### Kit contents:

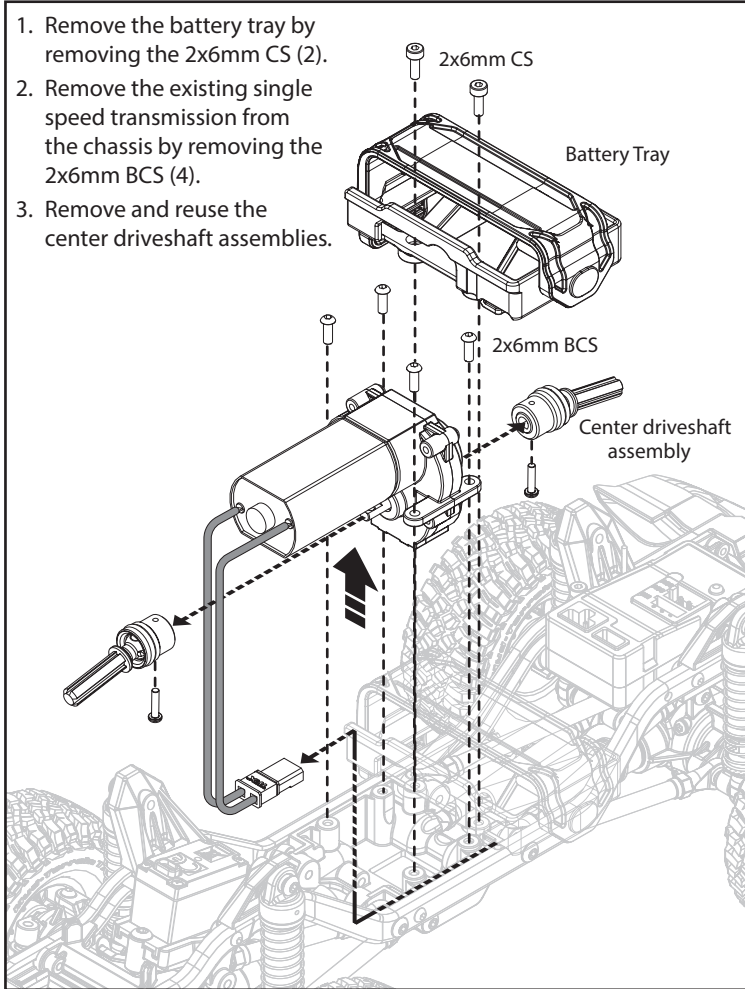
- Two speed transmission
- Transmission mount
- 2x6mm button-head cap screws (BCS) (2)
- 22T gear adapter (for use with optional #9776X gearing)

### Tools required:

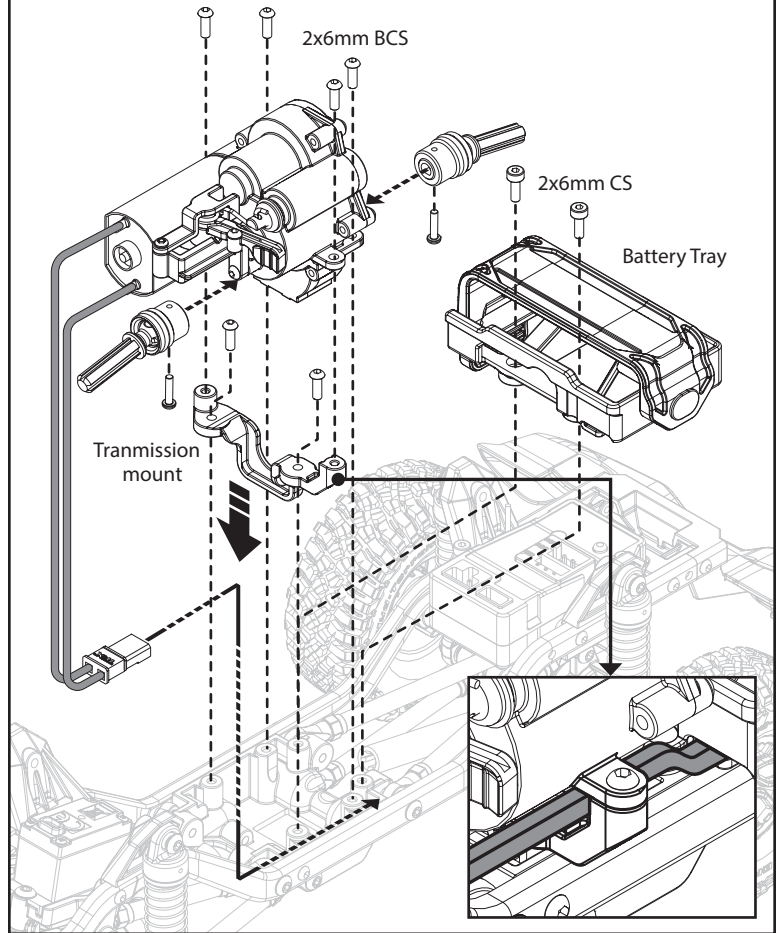
- 1.5mm hex wrench


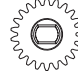
### Retain and reuse all hardware.

1. Remove the battery tray by removing the 2x6mm CS (2).
2. Remove the existing single speed transmission from the chassis by removing the 2x6mm BCS (4).
3. Remove and reuse the center driveshaft assemblies.



4. Install the center driveshaft assemblies on the two speed transmission.
5. Install the transmission mount on the chassis using the included 2x6mm BCS (2).
6. Place the two speed transmission on the transmission mount. Route the motor wires between the transmission and the mount.
7. Secure the transmission to the mount with the 2x6mm BCS (4) from step 2.
8. Reinstall the battery tray.



	 18T Adapter*	 22T Adapter*
Compatible with:	9776**	9776X
Low gear ratio:	32.7:1	19.1:1
High gear ratio:	9.9:1	5.8:1

\*Actual size

\*\*Stock gear adapter

If you have questions or need technical assistance, call Traxxas at

## 1-888-TRAXXAS

(1-888-872-9927) (U.S. residents only)

