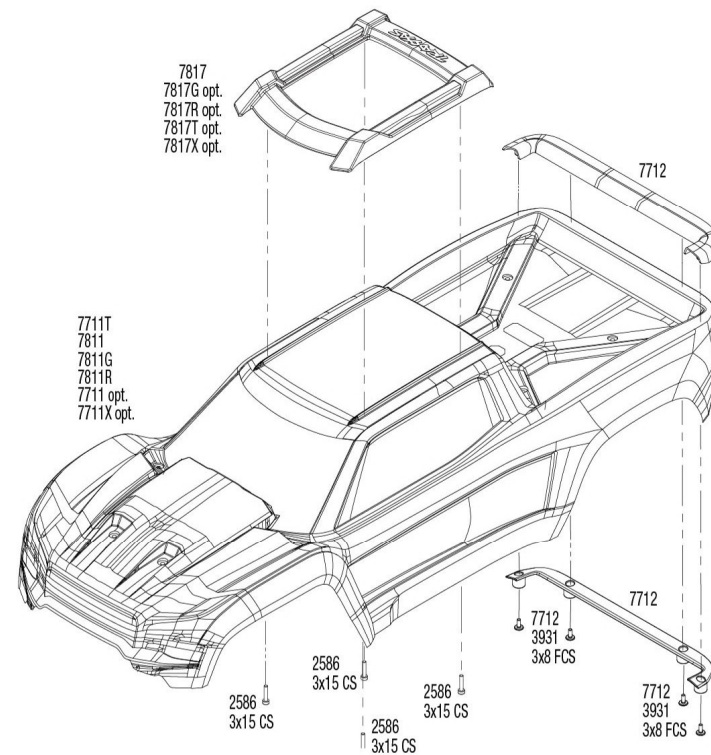
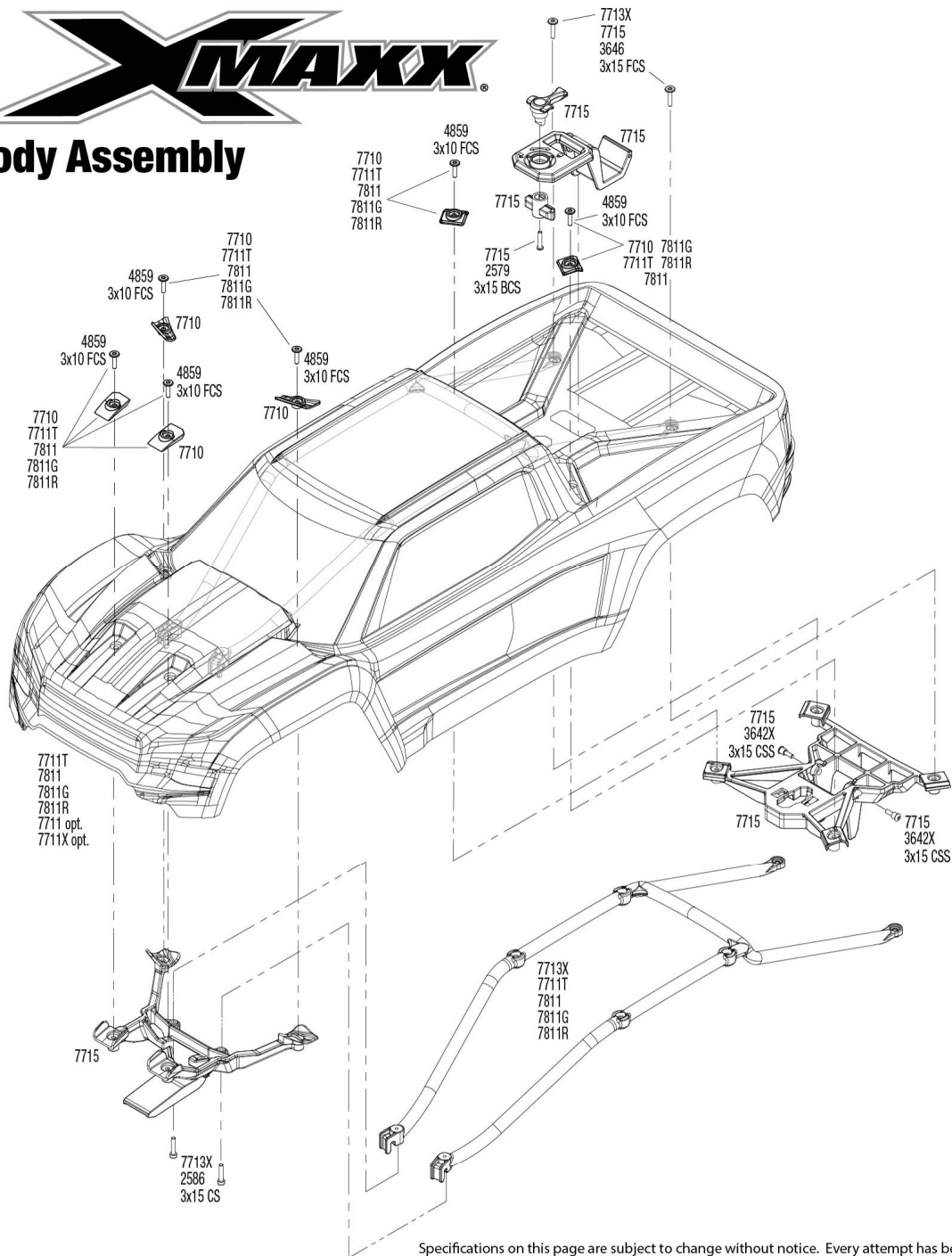
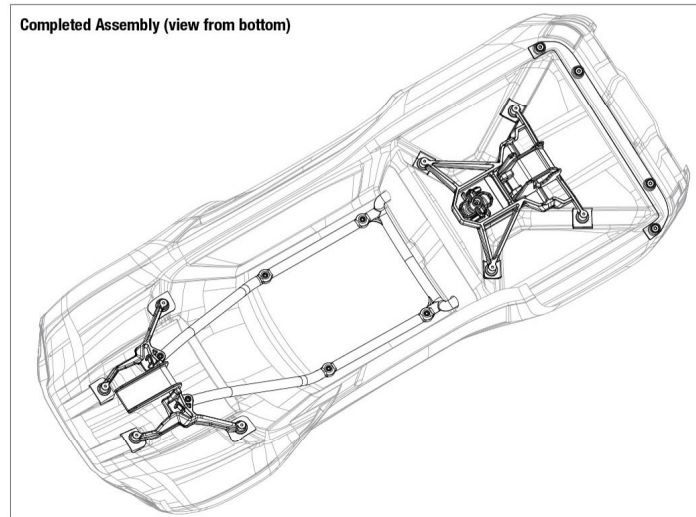




Body Assembly



Completed Assembly (view from bottom)



Specifications on this page are subject to change without notice. Every attempt has been made to ensure the accuracy of this drawing; however, Traxxas cannot be held responsible for typographical or other errors.

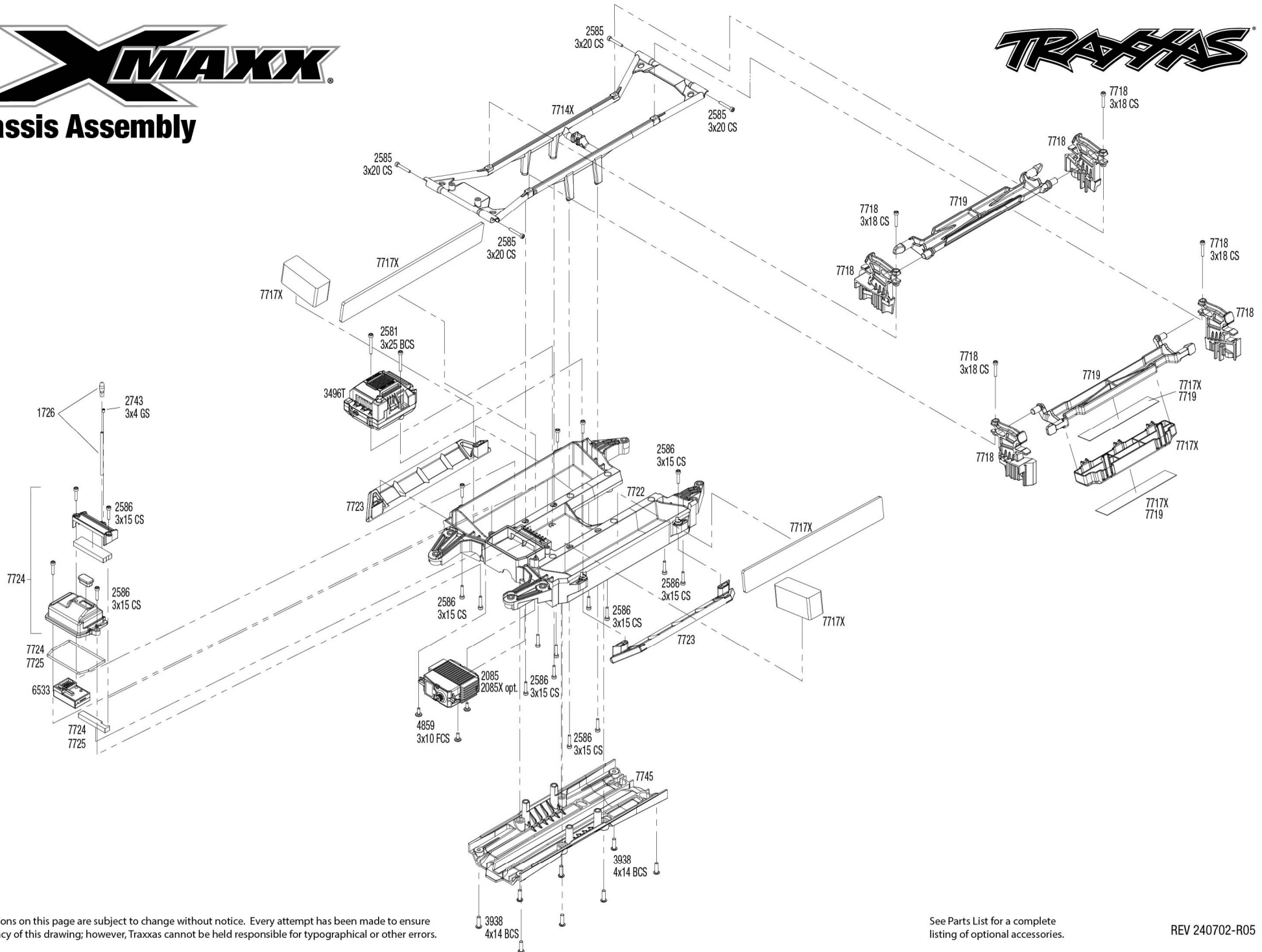
See Parts List for a complete listing of optional accessories.

REV 240702-R05

X-MAXX[®]

Chassis Assembly

TRAXXAS[®]

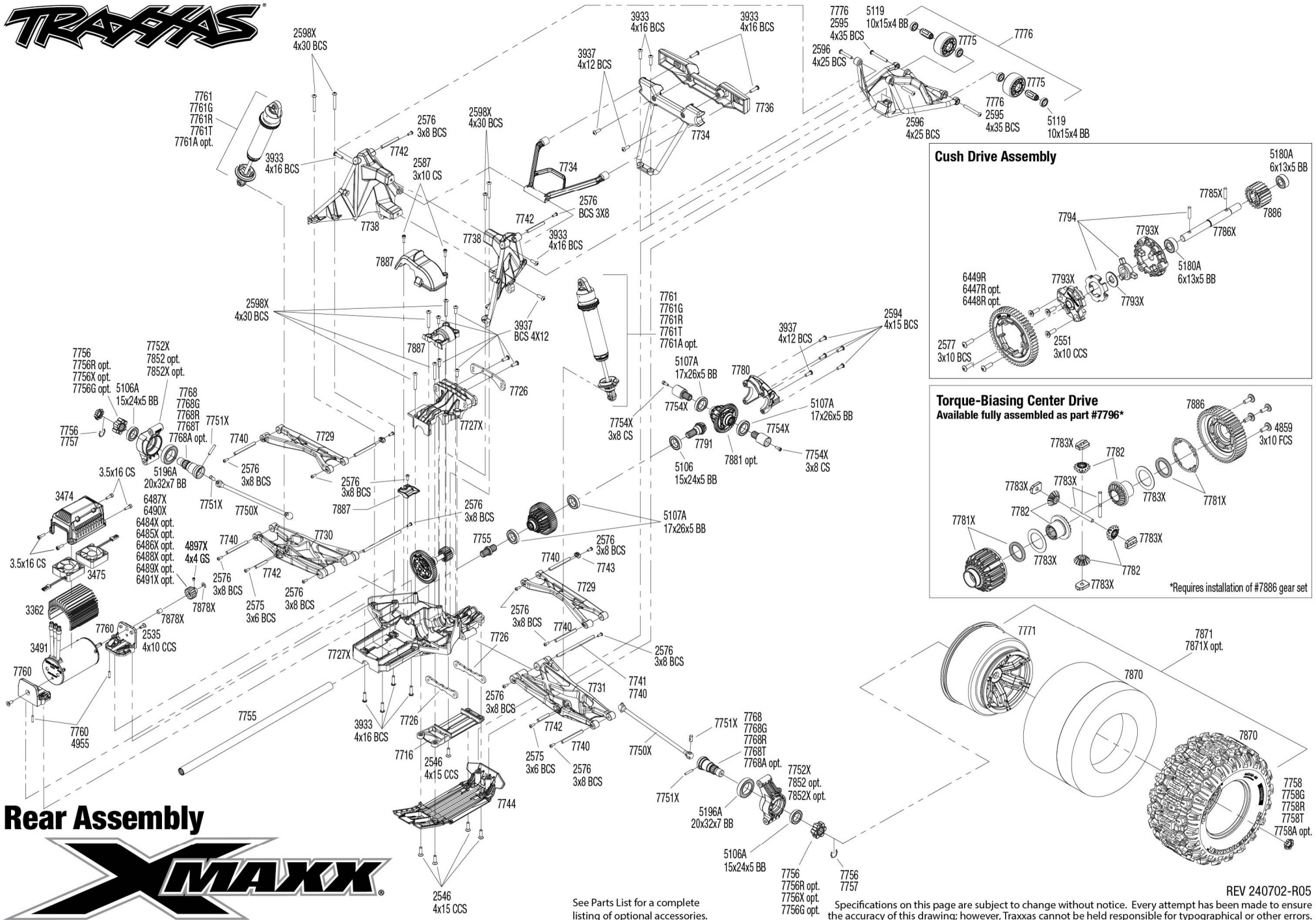


Specifications on this page are subject to change without notice. Every attempt has been made to ensure the accuracy of this drawing; however, Traxxas cannot be held responsible for typographical or other errors.

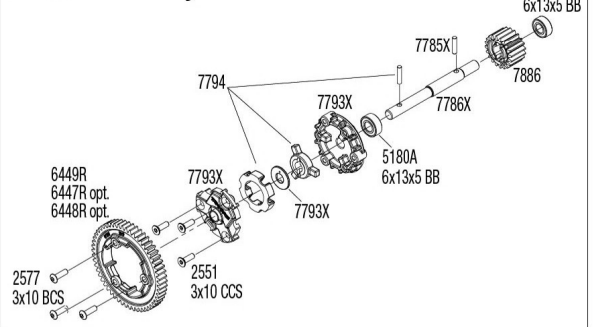
See Parts List for a complete listing of optional accessories.

REV 240702-R05

TRAXXAS

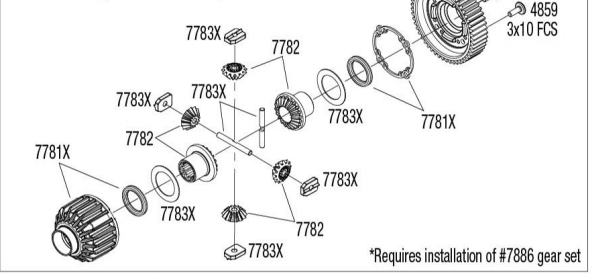


Cush Drive Assembly



Torque-Biasing Center Drive

Available fully assembled as part #7796*



*Requires installation of #7886 gear set

Rear Assembly

X-MAXX

See Parts List for a complete listing of optional accessories.

Specifications on this page are subject to change without notice. Every attempt has been made to ensure the accuracy of this drawing; however, Traxxas cannot be held responsible for typographical or other errors.

REV 240702-R05