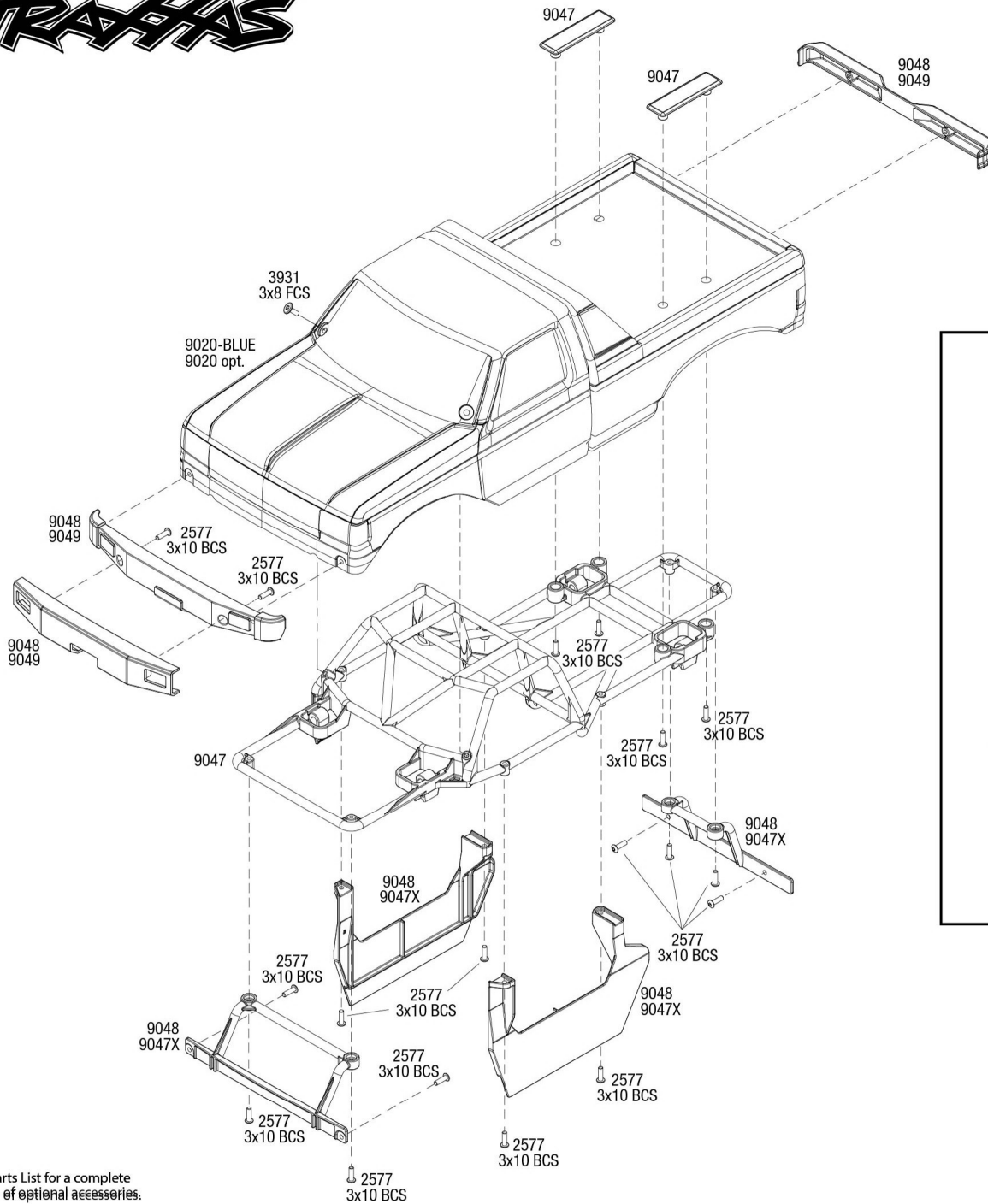


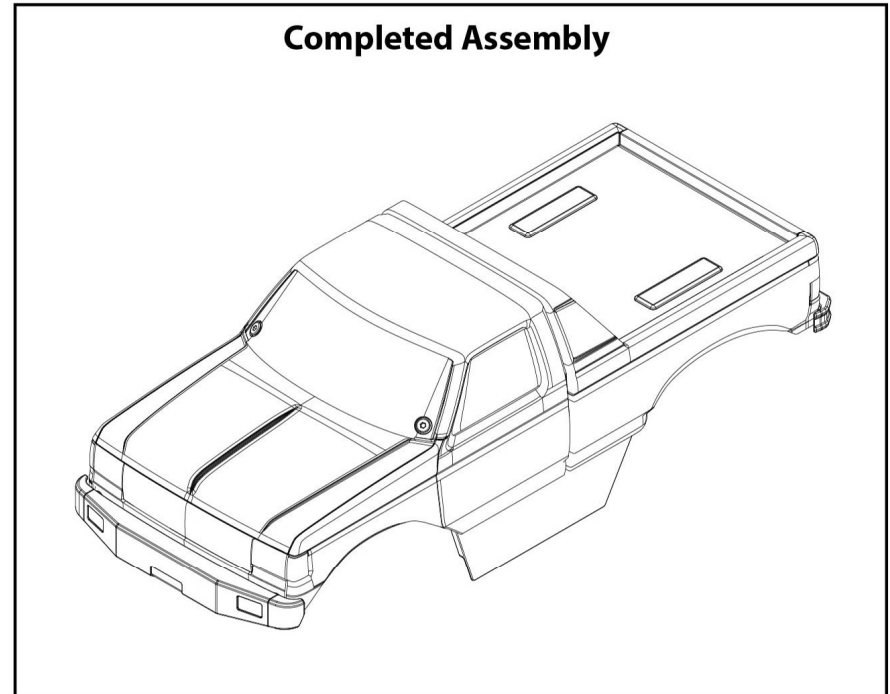


BIGFOOT®

Body Assembly



Completed Assembly



See Parts List for a complete listing of optional accessories.

REV 241122-R01

Specifications on this page are subject to change without notice. Every attempt has been made to ensure the accuracy of this drawing; however, Traxxas cannot be held responsible for typographical or other errors.

BIGFOOT®

Driveshafts Assembly

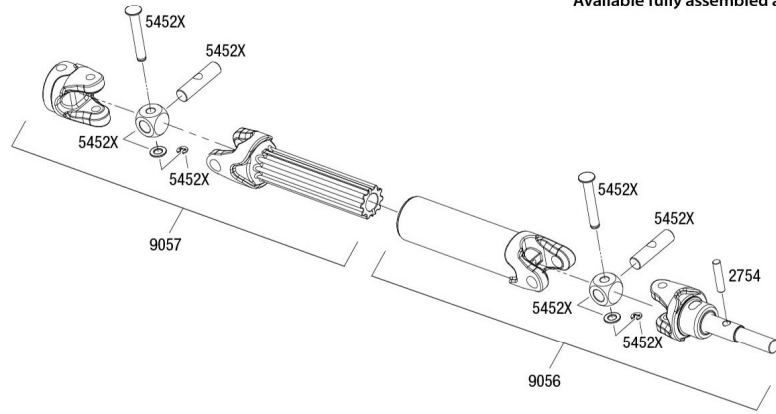


Driveshafts



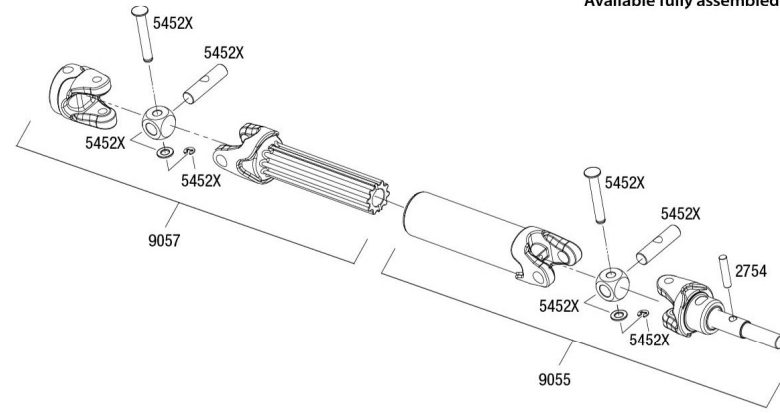
Front Driveshaft Assembly

Available fully assembled as part #9051

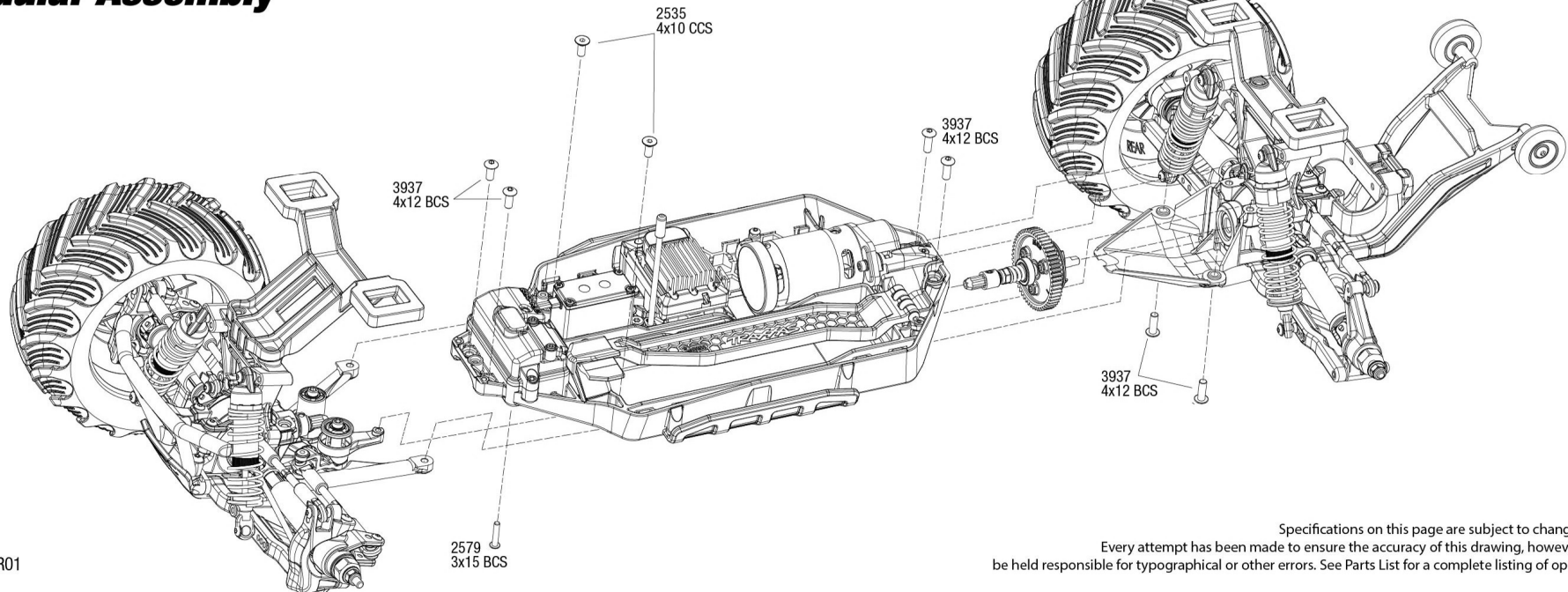


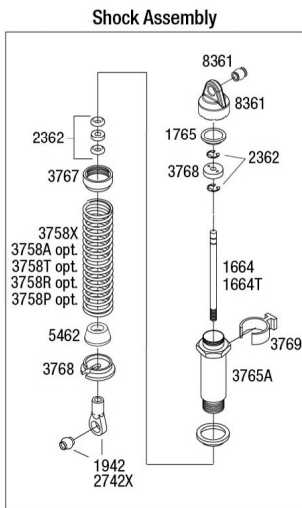
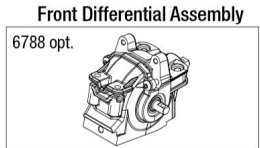
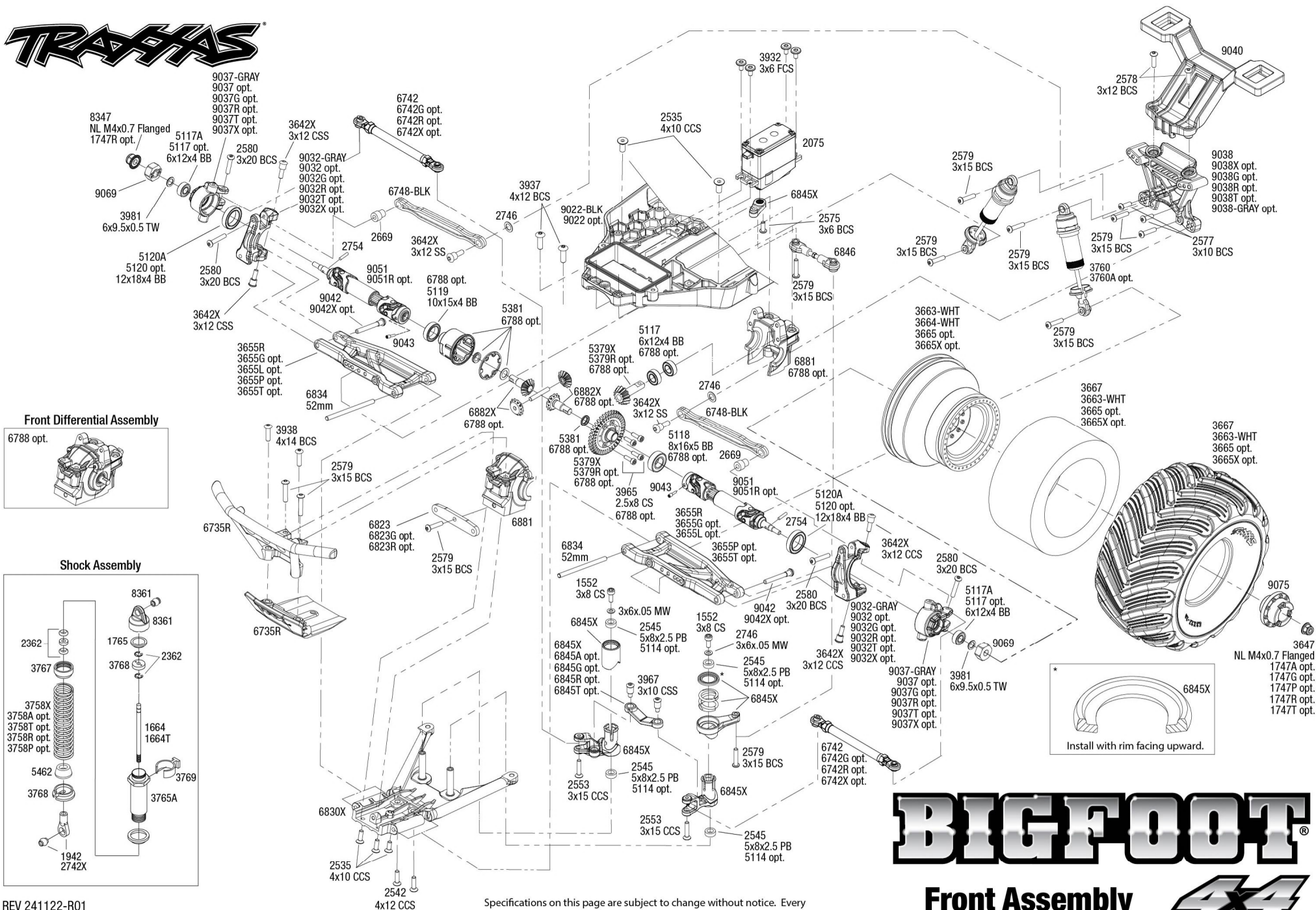
Rear Driveshaft Assembly

Available fully assembled as part #9052



Modular Assembly





Install with rim facing upward.

BIGFOOT®

Front Assembly

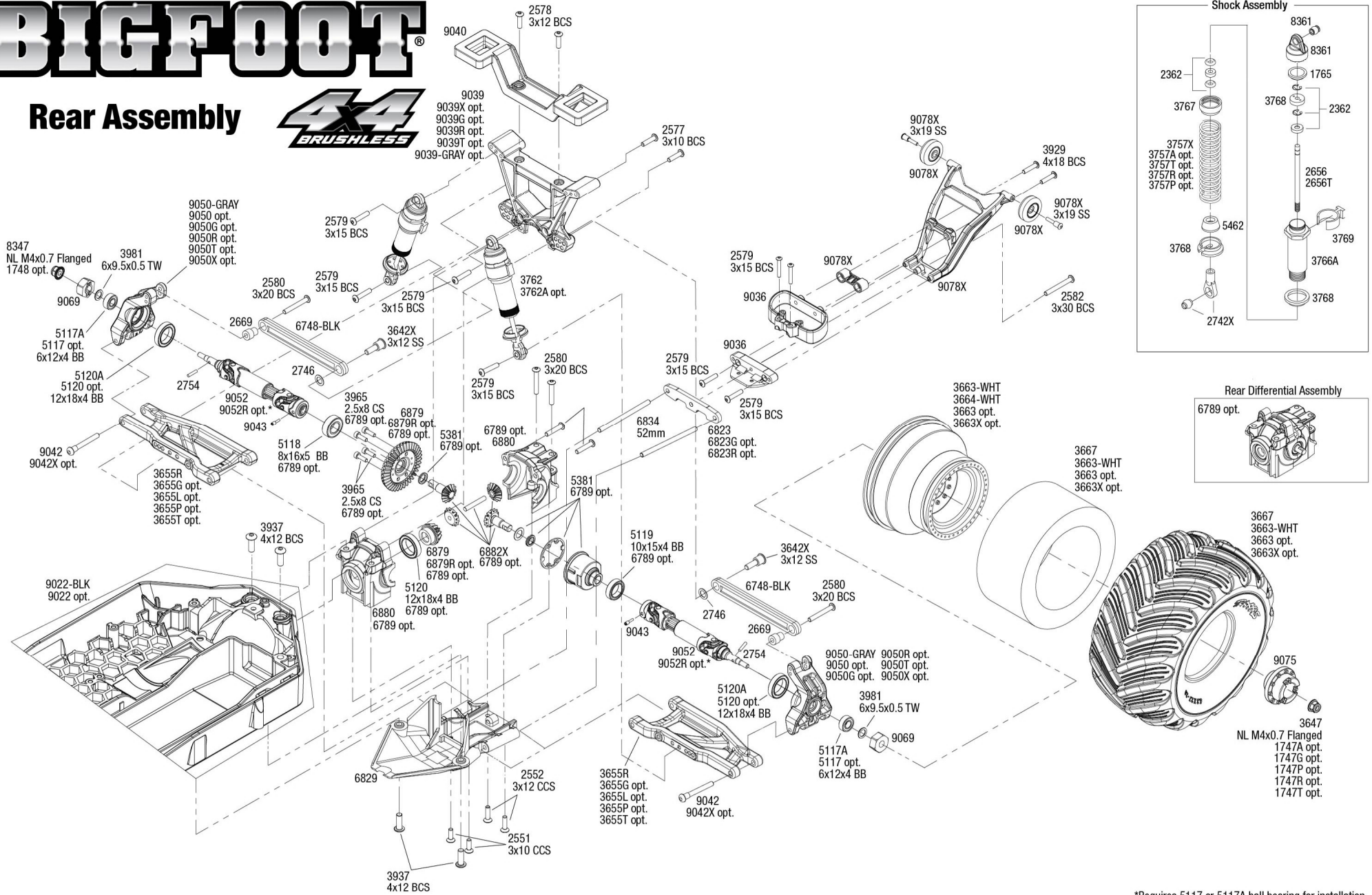


REV 241122-R01
See Parts List for a complete listing of optional accessories.

Specifications on this page are subject to change without notice. Every attempt has been made to ensure the accuracy of this drawing; however, Traxxas cannot be held responsible for typographical or other errors.

BIGFOOT®

Rear Assembly



*Requires 5117 or 5117A ball bearing for installation.



See Parts List for a complete listing of optional accessories.

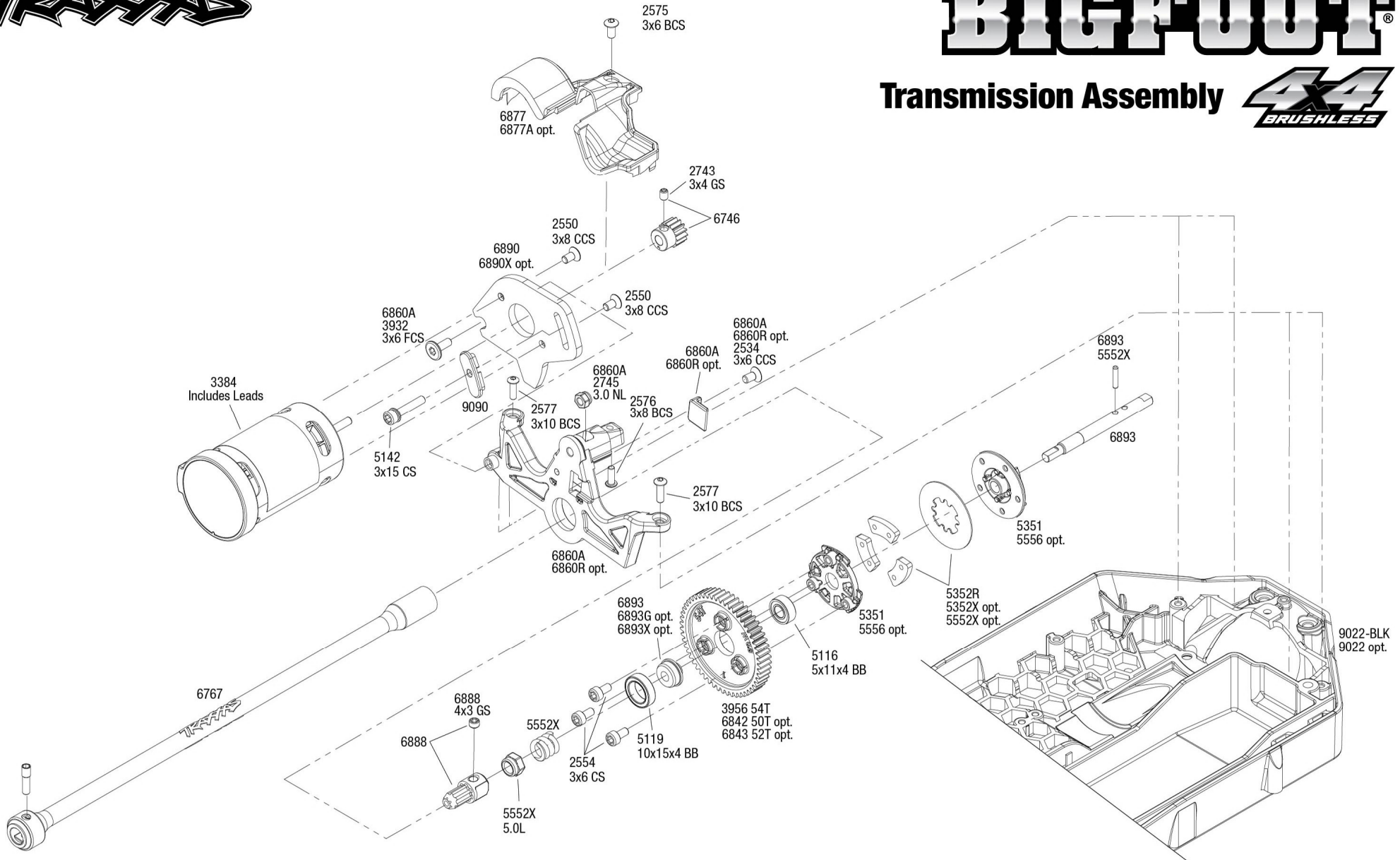
Specifications on this page are subject to change without notice. Every attempt has been made to ensure the accuracy of this drawing; however, Traxxas cannot be held responsible for typographical or other errors.

REV 241122-R01



BIGFOOT®

Transmission Assembly



See Parts List for a complete listing of optional accessories.

REV 241122-R01
Specifications on this page are subject to change without notice. Every attempt has been made to ensure the accuracy of this drawing; however, Traxxas cannot be held responsible for typographical or other errors.