

## Rear Assembly

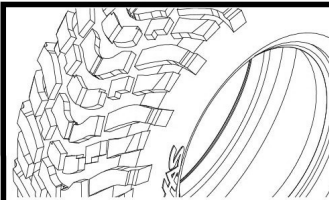
# RAPTOR

See Parts List for a complete listing of optional accessories.

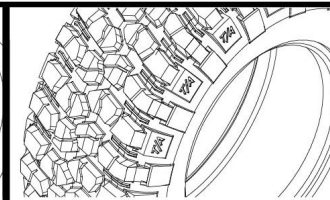
Specifications on this page are subject to change without notice. Every attempt has been made to ensure the accuracy of this drawing; however, Traxxas cannot be held responsible for typographical or other errors.

# RAPTOR

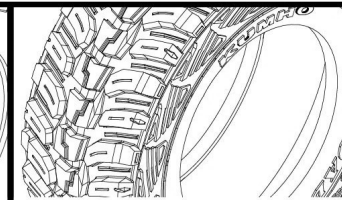
## Wheel and Tire Chart



**Traxxas SCT Tires with Foam Inserts**

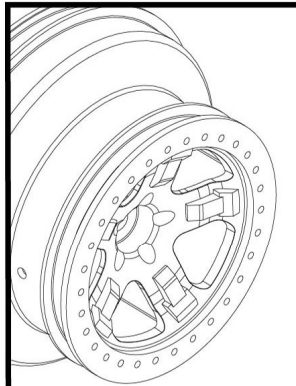


**BFGoodrich® Mud Terrain™ T/A® Tires with Foam Inserts**

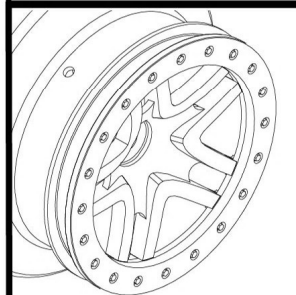


**Kumho Road Venture MT tires with Foam Inserts**

<b>5871</b>	<i>S1 Ultra-Soft Racing Compound</i> <b>5871R</b>	<b>6871</b>	<i>S1 Ultra-Soft Racing Compound</i> <b>6871R</b>	<b>6870</b>	<i>S1 Ultra-Soft Racing Compound</i> <b>6870R</b>
-------------	--	-------------	--	-------------	--



**Traxxas SCT Wheels**



**Split Spoke Wheels**

Wheels*		Assembled Wheels and Tires		Assembled Wheels and Tires		Assembled Wheels and Tires	
Satin Beadlock/ Satin Wheel - Slash Rear or Slash 4X4 Front/Rear	5872	5873†	-	-	-	5880X	-
Satin Beadlock/ Satin Wheel - Slash Front	5874	5875	-	-	-	5881X	-
Red Beadlock/ Satin Wheel - Slash Rear or Slash 4X4 Front/Rear	-	5873A	5873R	-	-	-	-
Red Beadlock/ Satin Wheel - Slash Front	5874A	-	-	-	-	-	-
Black Beadlock/ Satin Wheel - Slash Rear or Slash 4X4 Front/Rear	5872X	5873X	-	5878	-	5880	-
Black Beadlock/ Satin Wheel - Slash Front	5874X	5875X	-	-	-	5881	-
Red Beadlock/ Chrome Wheel - Slash Rear or Slash 4X4 Front/Rear	5868	5887†	5887R	5867	-	-	-
Red Beadlock/ Chrome Wheel - Slash Front	-	5888	-	5869	-	-	-
Blue Beadlock/ Chrome Wheel - Slash Rear or Slash 4X4 Front/Rear	5868A	-	-	5867A	-	-	-
Blue Beadlock/ Chrome Wheel - Slash Front	5870A	-	-	5869A	-	-	-
Green Beadlock/ Chrome Wheel - Slash Front	5866	-	-	5865	-	-	-
Green Beadlock/ Chrome Wheel - Slash Rear or Slash 4X4 Front/Rear	6875	-	-	6876	-	-	-
Orange Beadlock/ Black Wheel - Slash Front	5870X	5864	-	-	-	-	-
Orange Beadlock/ Black Wheel - Slash Rear or Slash 4X4 Front/Rear	5868X	5863†	5863R†	-	-	-	-
Black Beadlock/ Satin Wheel - Slash Rear or Slash 4X4 Front/Rear	6872	6892†	6892R	6873†	6873X	6874	6874R
Black Beadlock/ Satin Wheel - Slash Front	5876	-	-	5877	-	5882	5882R
Black Chrome Beadlock/ Black Wheel - Slash Rear or Slash 4X4 Front/Rear	-	-	-	-	6873T†	-	-
Red Beadlock/ Chrome Wheel - Slash Rear or Slash 4X4 Front/Rear	6872A	6891†	6891R†	6873A	6873R	-	-
Red Beadlock/ Chrome Wheel - Slash Front	-	-	-	5877A	5877R	-	-
Green Beadlock/ Chrome Wheel - Slash Rear or Slash 4X4 Front/Rear Front	6872X	-	-	-	-	-	-
Satin Beadlock/ Black Wheel - Slash Front	5886	5890	-	5885	-	-	-
Satin Beadlock/ Black Wheel - Slash Rear or Slash 4X4 Front/Rear	5884	5889†	5889R	5883	-	-	-
Blue Beadlock/ Black Wheel - Slash Front	5886A	-	-	5885A	-	-	-
Blue Beadlock/ Black Wheel - Slash Rear or Slash 4X4 Front/Rear	5884A	-	-	5883A	-	-	-
Gray Beadlock/ Gray Wheel - Slash Rear or Slash 4X4 Front/Rear	-	6964†	-	-	-	-	-
Orange Beadlock/ Orange Wheel - Slash Rear or Slash 4X4 Front/Rear	-	5892†	-	-	-	-	-
Green Beadlock/ Green Wheel - Slash Rear or Slash 4X4 Front/Rear	-	5892G†	-	-	-	-	-

\* Wheels and/or tires sold in pairs  
†TSM rated

Specifications on this page are subject to change without notice. Every attempt has been made to ensure the accuracy of this drawing; however, Traxxas cannot be held responsible for typographical or other errors. See Parts List for a complete listing of optional accessories.

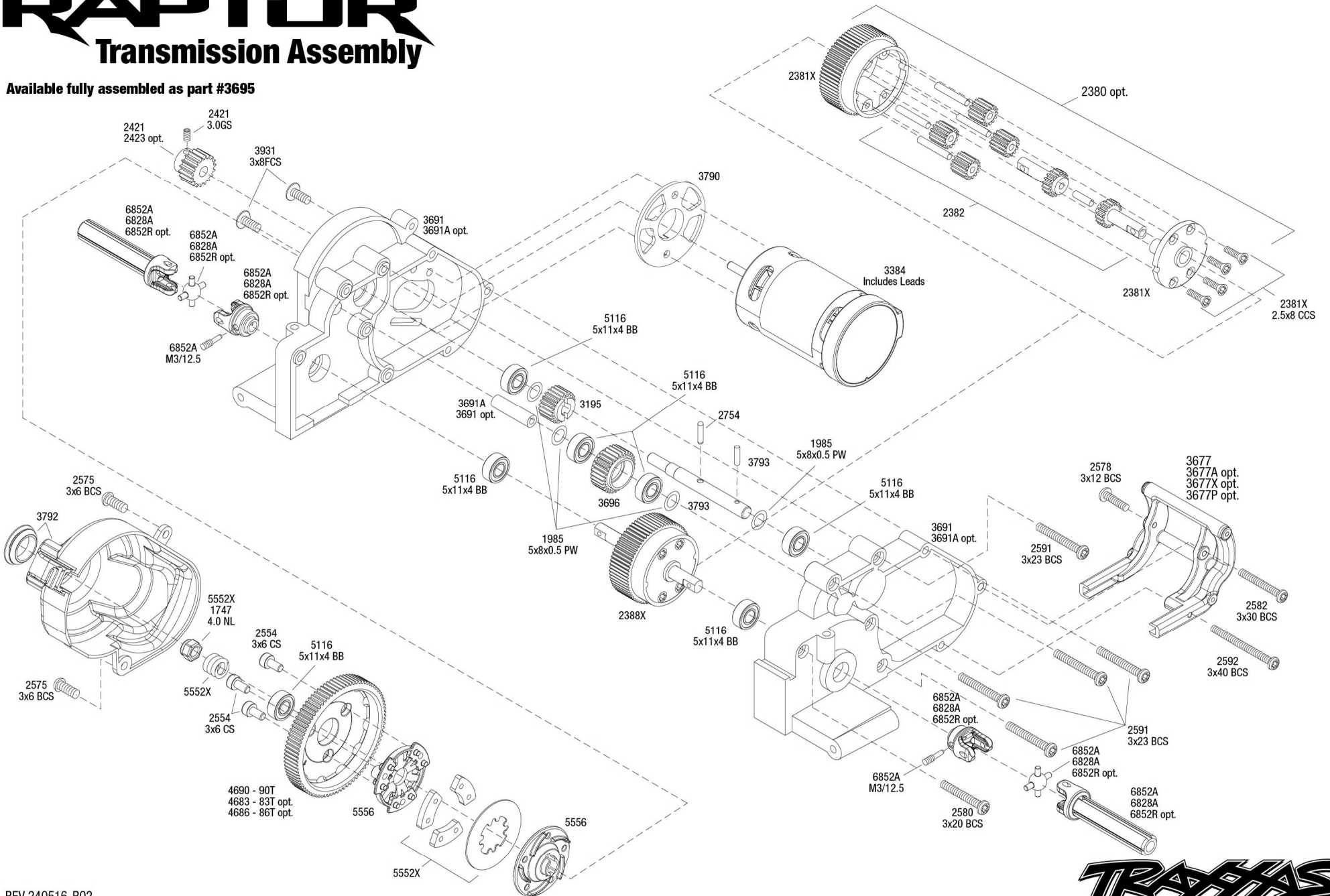
BFGoodrich and all associated names are trademarks used with permission.  
Distributed under license by Traxxas LP. Copyright © 2024 MNA, Inc. All rights reserved.

REV 240516-R02

# RAPTOR

## Transmission Assembly

Available fully assembled as part #3695



REV 240516-R02  
See Parts List for a complete listing of optional accessories.



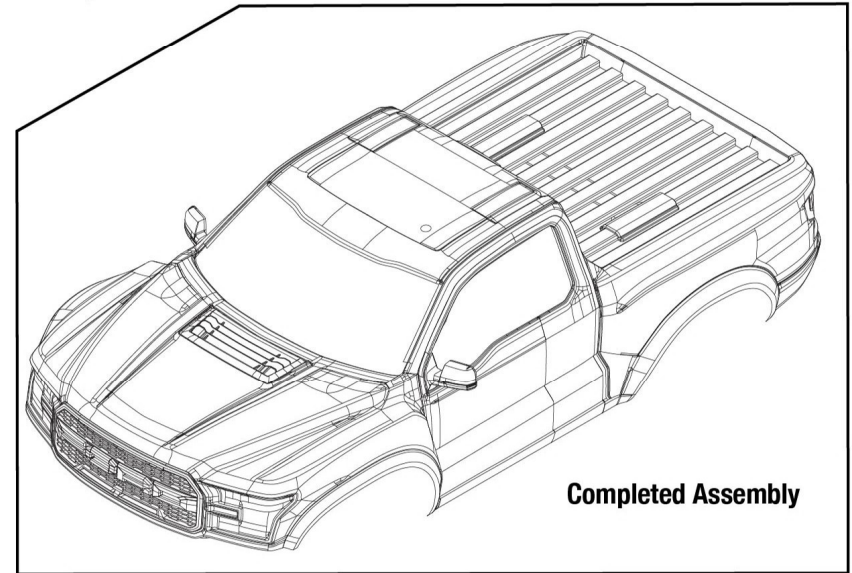
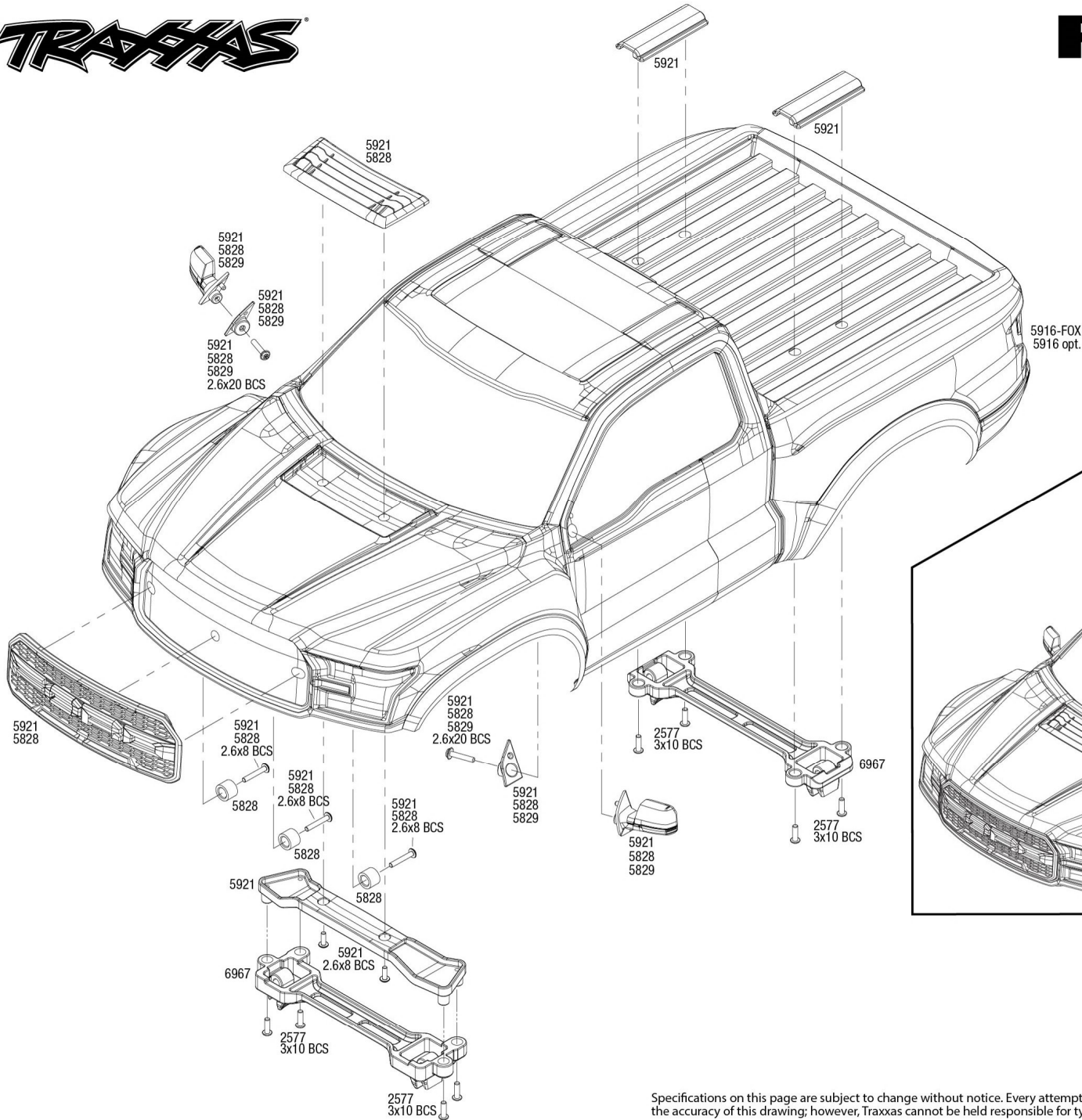
Specifications on this page are subject to change without notice. Every attempt has been made to ensure the accuracy of this drawing; however, Traxxas cannot be held responsible for typographical or other errors.





# RAPTOR

## Body Assembly



Specifications on this page are subject to change without notice. Every attempt has been made to ensure the accuracy of this drawing; however, Traxxas cannot be held responsible for typographical or other errors.

REV 240516-R02  
See Parts List for a complete listing of optional accessories.



