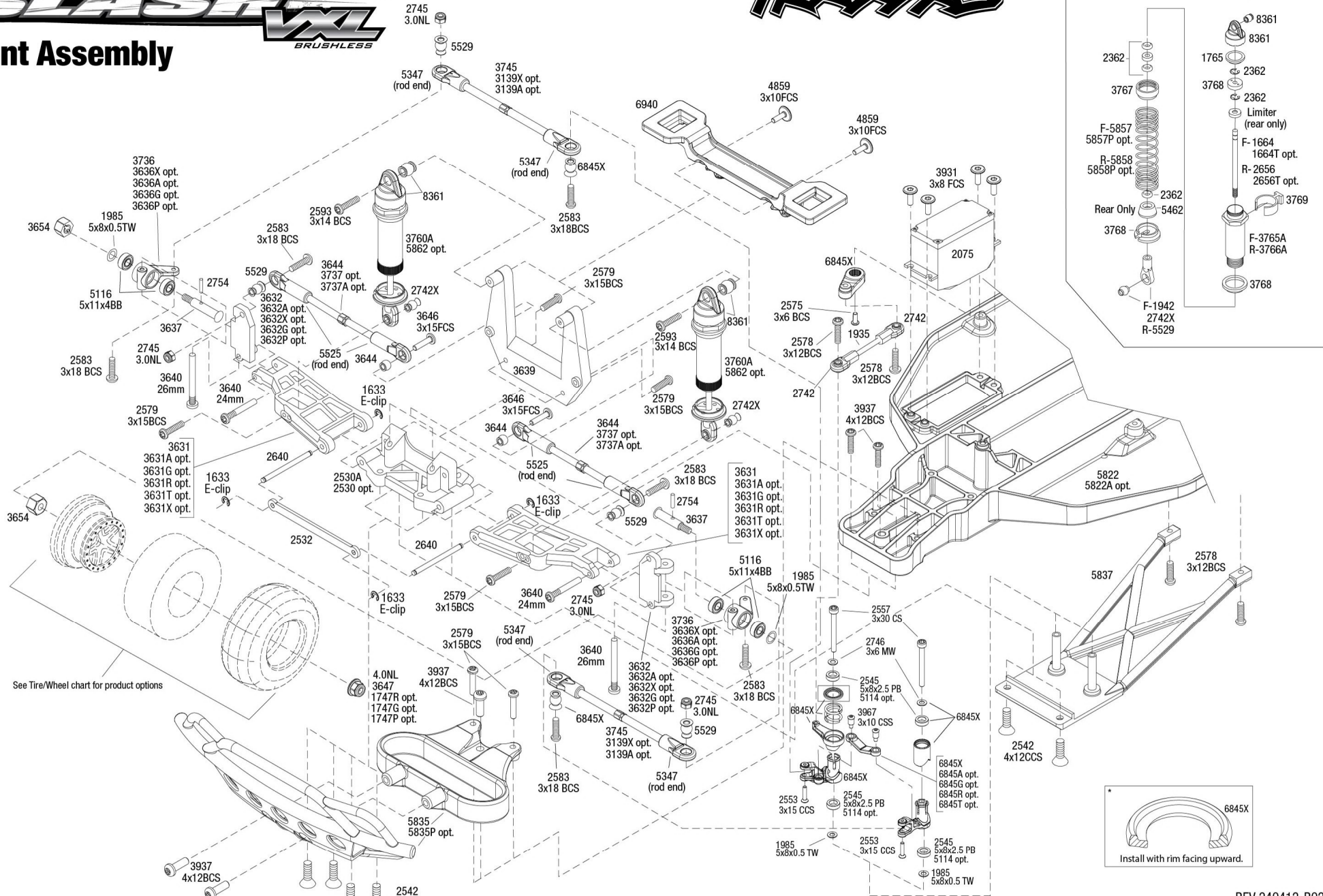


SLASH VXL

BRUSHLESS

Front Assembly

TRAXXAS



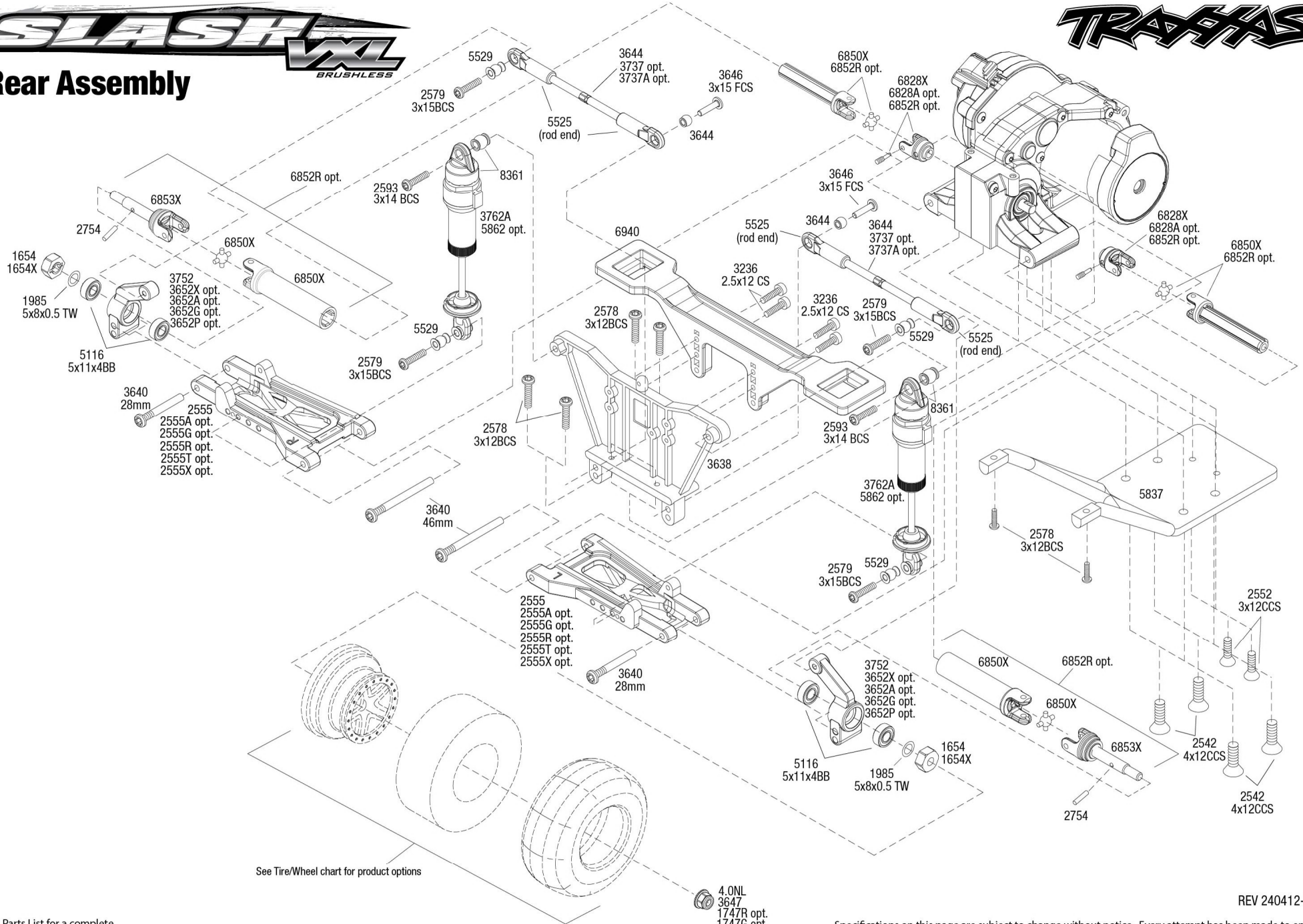
See Tire/Wheel chart for product options

See Parts List for a complete listing of optional accessories.

Specifications on this page are subject to change without notice. Every attempt has been made to ensure the accuracy of this drawing; however, Traxxas cannot be held responsible for typographical or other errors.

REV 240412-R02

Rear Assembly



See Parts List for a complete listing of optional accessories.

See Tire/Wheel chart for product options

Specifications on this page are subject to change without notice. Every attempt has been made to ensure the accuracy of this drawing; however, Traxxas cannot be held responsible for typographical or other errors.

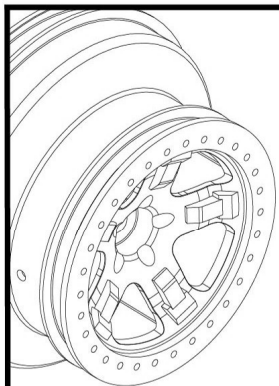
SLASH VXL

BRUSHLESS

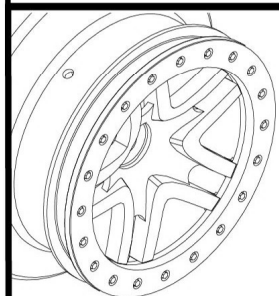
Wheel and Tire Chart



Traxxas SCT Tires with Foam Inserts		BFGoodrich® Mud Terrain™ T/A® Tires with Foam Inserts		Kumho Road Venture MT tires with Foam Inserts	
5871	<i>S1 Ultra-Soft Racing Compound</i> 5871R	6871	<i>S1 Ultra-Soft Racing Compound</i> 6871R	6870	<i>S1 Ultra-Soft Racing Compound</i> 6870R



Traxxas SCT Wheels



Split Spoke Wheels

Wheels*		Assembled Wheels and Tires		Assembled Wheels and Tires		Assembled Wheels and Tires	
Satin Beadlock/ Satin Wheel - Slash Rear or Slash 4X4 Front/Rear	5872	5873†	-	-	-	5880X	-
Satin Beadlock/ Satin Wheel - Slash Front	5874	5875	-	-	-	5881X	-
Red Beadlock/ Satin Wheel - Slash Rear or Slash 4X4 Front/Rear	-	5873A	5873R	-	-	-	-
Red Beadlock/ Satin Wheel - Slash Front	5874A	-	-	-	-	-	-
Black Beadlock/ Satin Wheel - Slash Rear or Slash 4X4 Front/Rear	5872X	5873X	-	5878	-	5880	-
Black Beadlock/ Satin Wheel - Slash Front	5874X	5875X	-	-	-	5881	-
Red Beadlock/ Chrome Wheel - Slash Rear or Slash 4X4 Front/Rear	5868	5887†	5887R	5867	-	-	-
Red Beadlock/ Chrome Wheel - Slash Front	-	5888	-	5869	-	-	-
Blue Beadlock/ Chrome Wheel - Slash Rear or Slash 4X4 Front/Rear	5868A	-	-	5867A	-	-	-
Blue Beadlock/ Chrome Wheel - Slash Front	5870A	-	-	5869A	-	-	-
Green Beadlock/ Chrome Wheel - Slash Front	5866	-	-	5865	-	-	-
Green Beadlock/ Chrome Wheel - Slash Rear or Slash 4X4 Front/Rear	6875	-	-	6876	-	-	-
Orange Beadlock/ Black Wheel - Slash Front	5870X	5864	-	-	-	-	-
Orange Beadlock/ Black Wheel - Slash Rear or Slash 4X4 Front/Rear	5868X	5863†	5863R†	-	-	-	-
Black Beadlock/ Satin Wheel - Slash Rear or Slash 4X4 Front/Rear	6872	6892†	6892R	6873†	6873X	6874	6874R
Black Beadlock/ Satin Wheel - Slash Front	5876	-	-	5877	-	5882	5882R
Black Chrome Beadlock/ Black Wheel - Slash Rear or Slash 4X4 Front/Rear	-	-	-	-	6873T†	-	-
Red Beadlock/ Chrome Wheel - Slash Rear or Slash 4X4 Front/Rear	6872A	6891†	6891R†	6873A	6873R	-	-
Red Beadlock/ Chrome Wheel - Slash Front	-	-	-	5877A	5877R	-	-
Green Beadlock/ Chrome Wheel - Slash Rear or Slash 4X4 Front/Rear Front	6872X	-	-	-	-	-	-
Satin Beadlock/ Black Wheel - Slash Front	5886	5890	-	5885	-	-	-
Satin Beadlock/ Black Wheel - Slash Rear or Slash 4X4 Front/Rear	5884	5889†	5889R	5883	-	-	-
Blue Beadlock/ Black Wheel - Slash Front	5886A	-	-	5885A	-	-	-
Blue Beadlock/ Black Wheel - Slash Rear or Slash 4X4 Front/Rear	5884A	-	-	5883A	-	-	-
Gray Beadlock/ Gray Wheel - Slash Rear or Slash 4X4 Front/Rear	-	6964†	-	-	-	-	-
Orange Beadlock/ Orange Wheel - Slash Rear or Slash 4X4 Front/Rear	-	5892†	-	-	-	-	-
Green Beadlock/ Green Wheel - Slash Rear or Slash 4X4 Front/Rear	-	5892G†	-	-	-	-	-

* Wheels and/or tires sold in pairs
†TSM rated

Specifications on this page are subject to change without notice. Every attempt has been made to ensure the accuracy of this drawing; however, Traxxas cannot be held responsible for typographical or other errors. See Parts List for a complete listing of optional accessories.

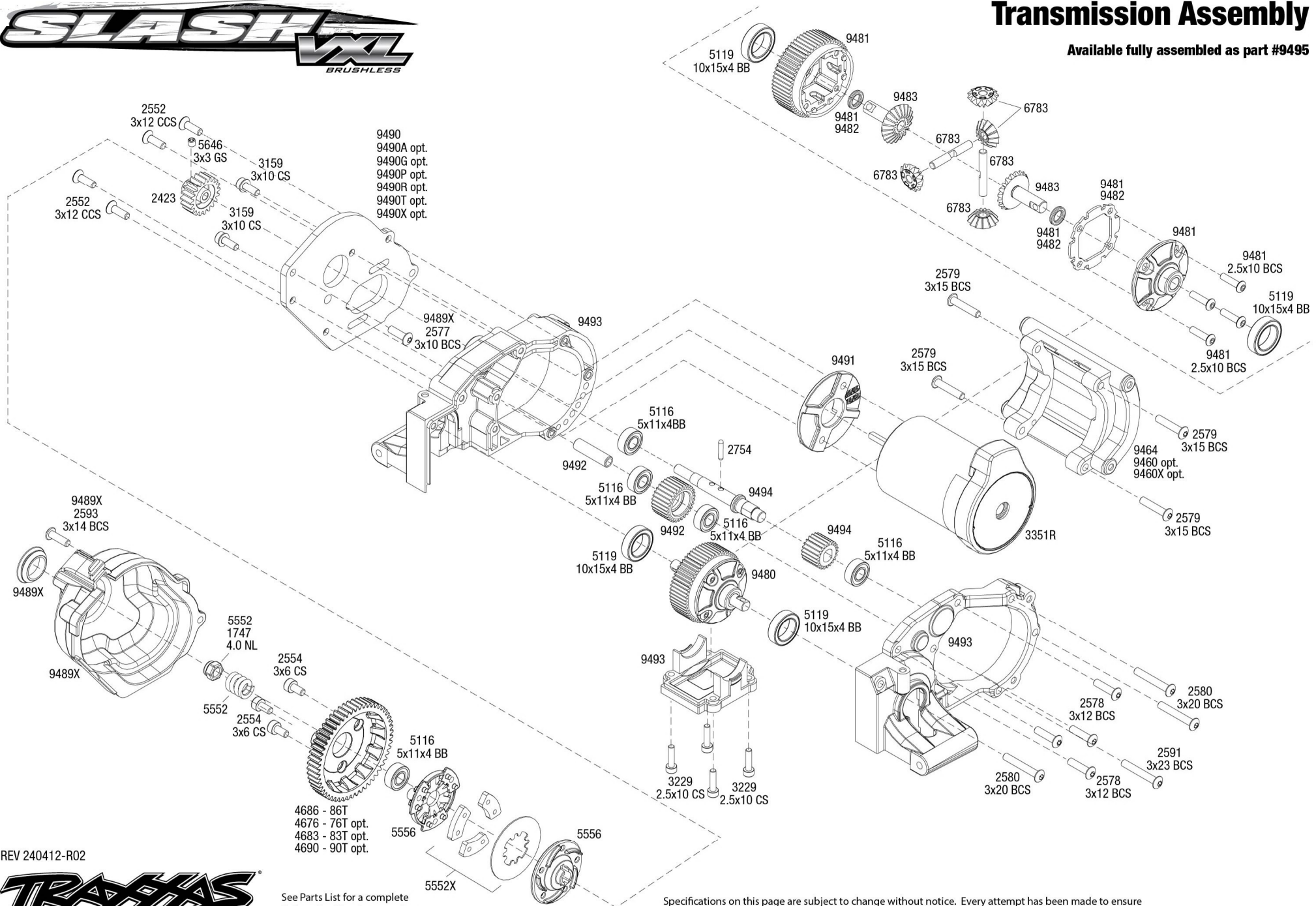
BFGoodrich and all associated names are trademarks used with permission.
Distributed under license by Traxxas LP. Copyright © 2023 MNA, Inc. All rights reserved.

REV 240412-R02



Transmission Assembly

Available fully assembled as part #9495



REV 240412-R02



See Parts List for a complete listing of optional accessories.

Specifications on this page are subject to change without notice. Every attempt has been made to ensure the accuracy of this drawing; however, Traxxas cannot be held responsible for typographical or other errors.

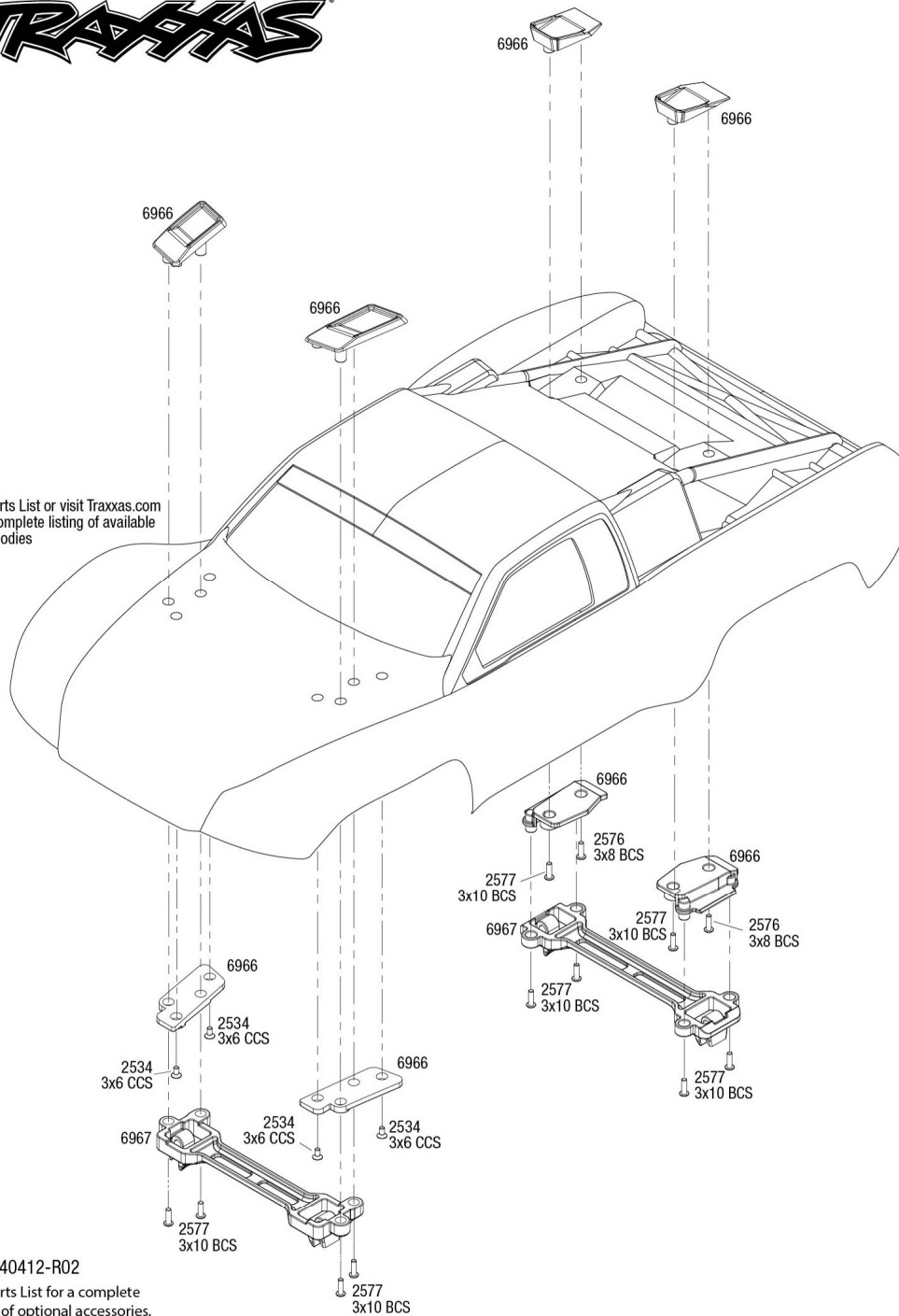


SLASH VXL

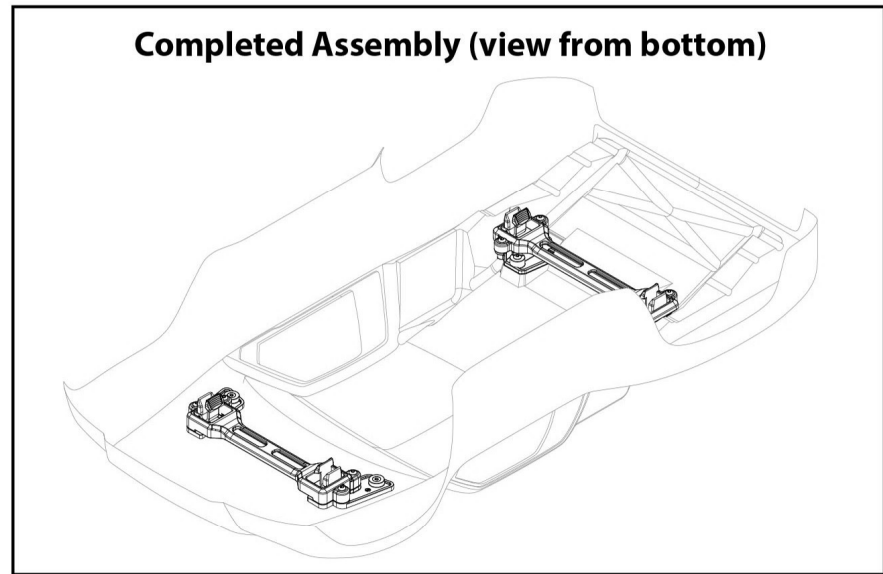
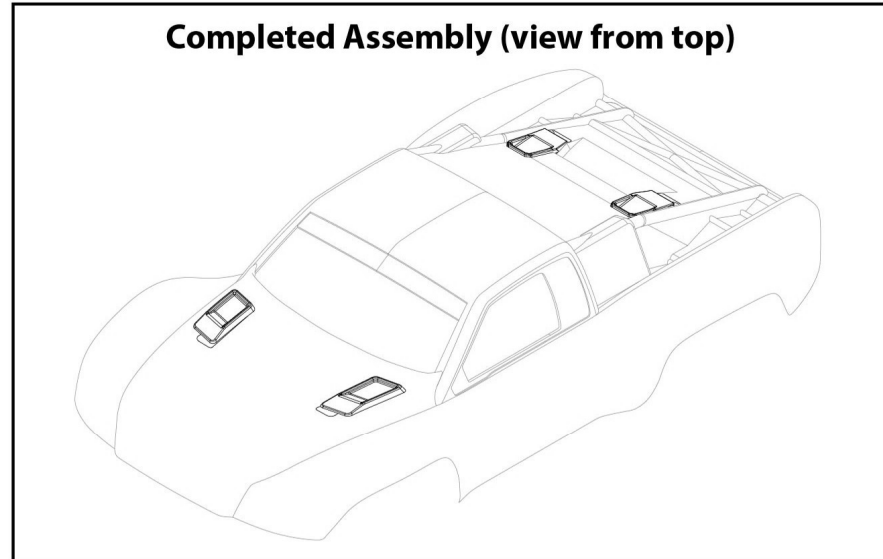
BRUSHLESS

Body Assembly

See Parts List or visit Traxxas.com for a complete listing of available truck bodies



REV 240412-R02
See Parts List for a complete listing of optional accessories.



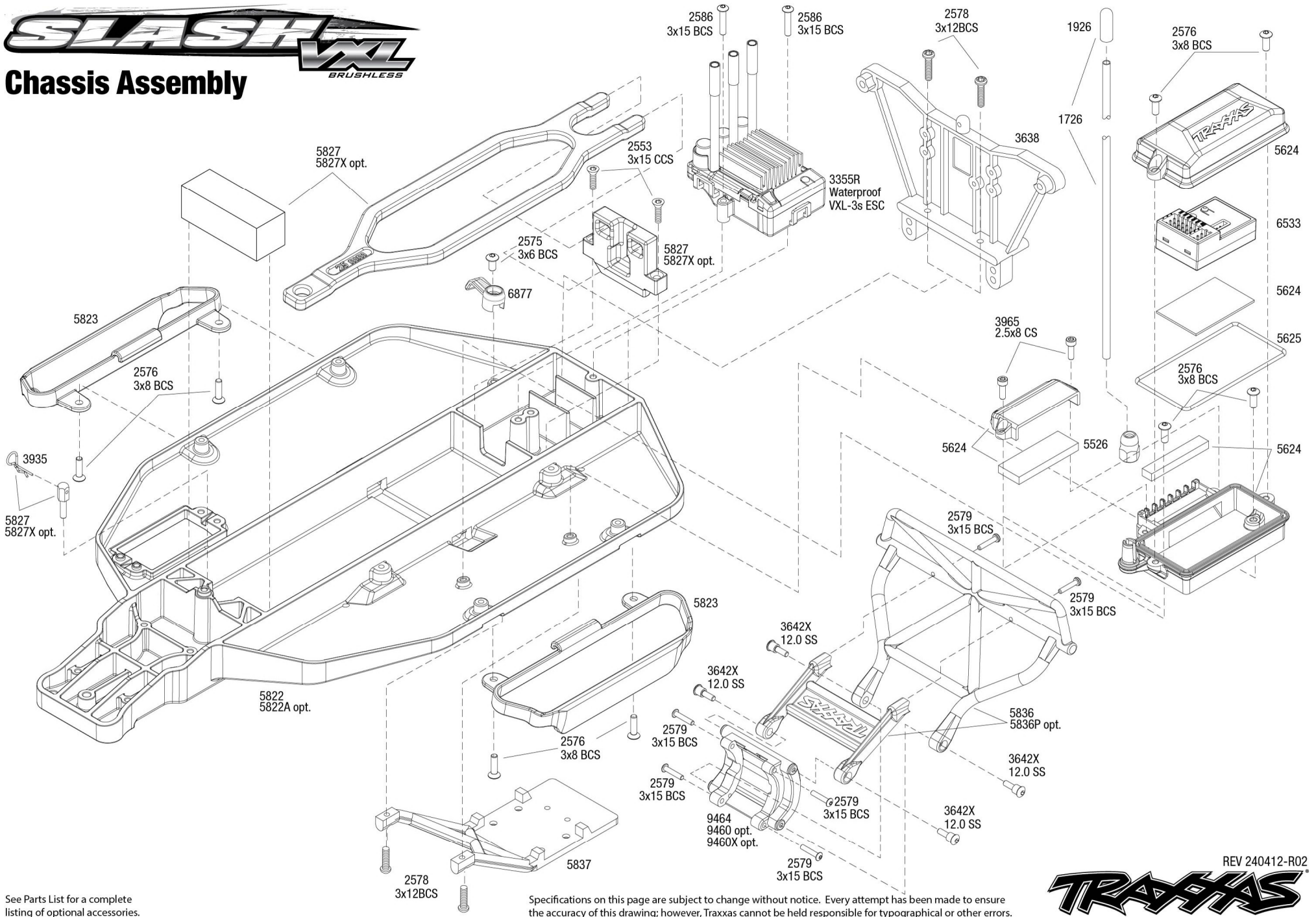
Specifications on this page are subject to change without notice. Every attempt has been made to ensure the accuracy of this drawing; however, Traxxas cannot be held responsible for typographical or other errors.

SLASH

VXL

BRUSHLESS

Chassis Assembly



See Parts List for a complete listing of optional accessories.

Specifications on this page are subject to change without notice. Every attempt has been made to ensure the accuracy of this drawing; however, Traxxas cannot be held responsible for typographical or other errors.