



EMT 410 2.0

BUILDING
INSTRUCTIONS

Introduction



Thank you for purchasing the Tekno RC MT410 2.0 1/10th Electric 4x4 Pro Monster Truck Kit. We are always working on new projects, so please check our website regularly at www.teknorc.com or visit us on Facebook at www.facebook.com/teknorc for all the latest news, parts, and kits.

Take your time! When you work your way through these building instructions, keep an eye out for the following important indicators below:

- **RED TEXT** - *This indicates important areas of the build process that should be observed.*



Thread Lock icons

Thread lock is always used when a screw is inserted into any metal part. (Included with kit)



Grease icons

Grease is usually used on areas with movement and for sealing. (Included with kit)

- **YOUTUBE** - *We also have many useful build videos on Youtube, so be sure to check these out!*
<https://www.youtube.com/c/teknorc>

Additional equipment and parts needed:

- 2+ channel radio transmitter and receiver
- Body
- Paint for body
- 1/10th scale ESC and motor system
- High torque steering servo (at least 250 oz/in)
- 2s (2 cell, 7.4v) LiPo battery (at least 5000mAh)
- 1/10th scale MT tires/wheels W/12MM Hex
- MOD1 Pinion 12 tooth - 16 tooth (TKR4172 - TKR4176)

Tools needed:

- Hex drivers 1.5mm, 2.0mm, 2.5mm
- Nut drivers 5.0mm (TKR1107), 5.5mm (TKR1108), 7.0mm (TKR1109), 8.0mm (TKR1110)
- Hobby knife
- Needle-nose pliers
- Shock tool (TKR1115) OR adjustable (Crescent) wrench (for shock assembly)
- 4mm turnbuckle wrench (TKR1103) - 5.5/7.0 two sided wrench (TKR1119)

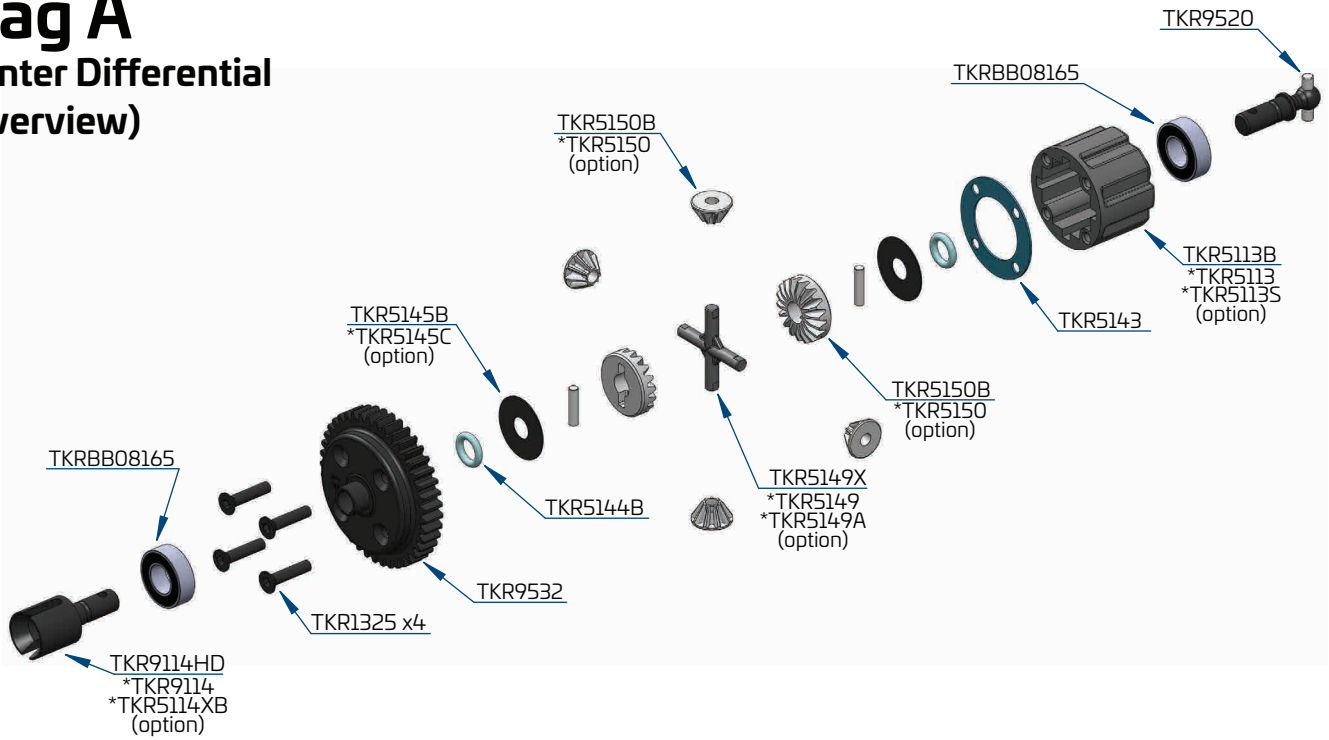
Disclaimer: Tekno RC is not responsible or liable for any property or personal damage, loss, or injury incurred as a result of using this product. This kit is meant for use by persons 14 years of age or older and in the strict confines of a legally permitted RC track or facility.

Warnings: Always double-check that your radio gear is working properly before operating vehicle. Never operate the vehicle indoors (unless the RC track is an indoor facility). Use caution while operating vehicle so as not to collide with people who may be turn marshalling or who might otherwise not be aware that a fast moving RC vehicle is in the vicinity.

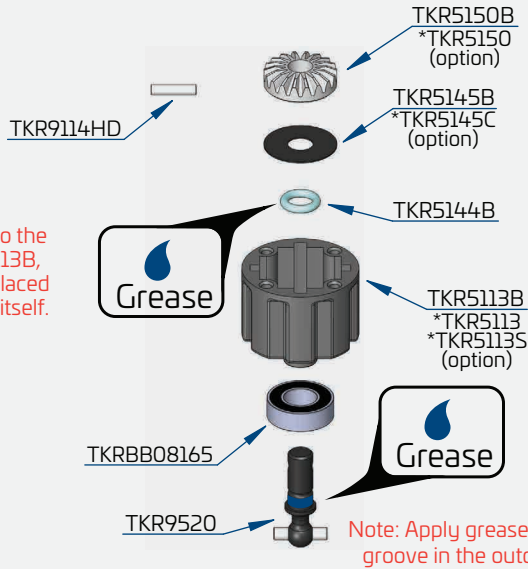
Warranty: We warrant that the parts included in this kit are free from defects. If you find a defective part in your kit, please contact us at info@teknorc.com and we will help to resolve the issue. If you modify any part prior to contacting us, the warranty claim will be void. We do not warranty parts that may be broken during operation of the vehicle or otherwise. Refer to the end of this instruction manual for a listing of spare/replacement and option parts. All spare parts and other info are available on our website (www.teknorc.com) and through our network of domestic and international dealers and distributors.

Bag A

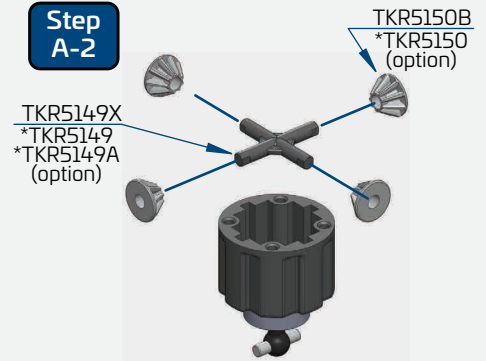
Center Differential (overview)



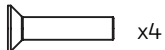
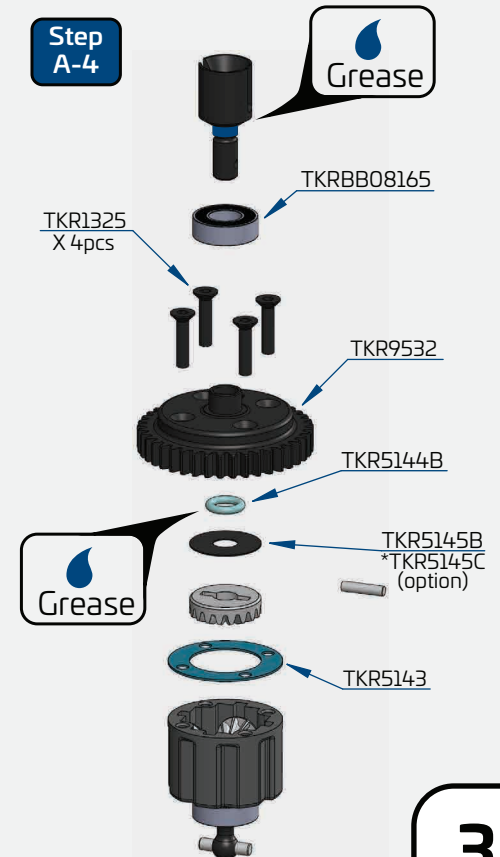
Step A-1



Step A-2



Step A-4



TKR1325
M3x14mm Flat Head Screw



TKR5144B
Differential O-rings

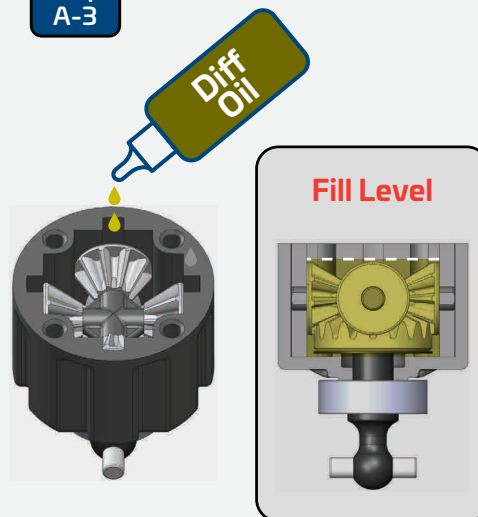


TKR5145B
Differential Shims (6x17mm)



TKRBB08165
Ball Bearing (8x16x5)

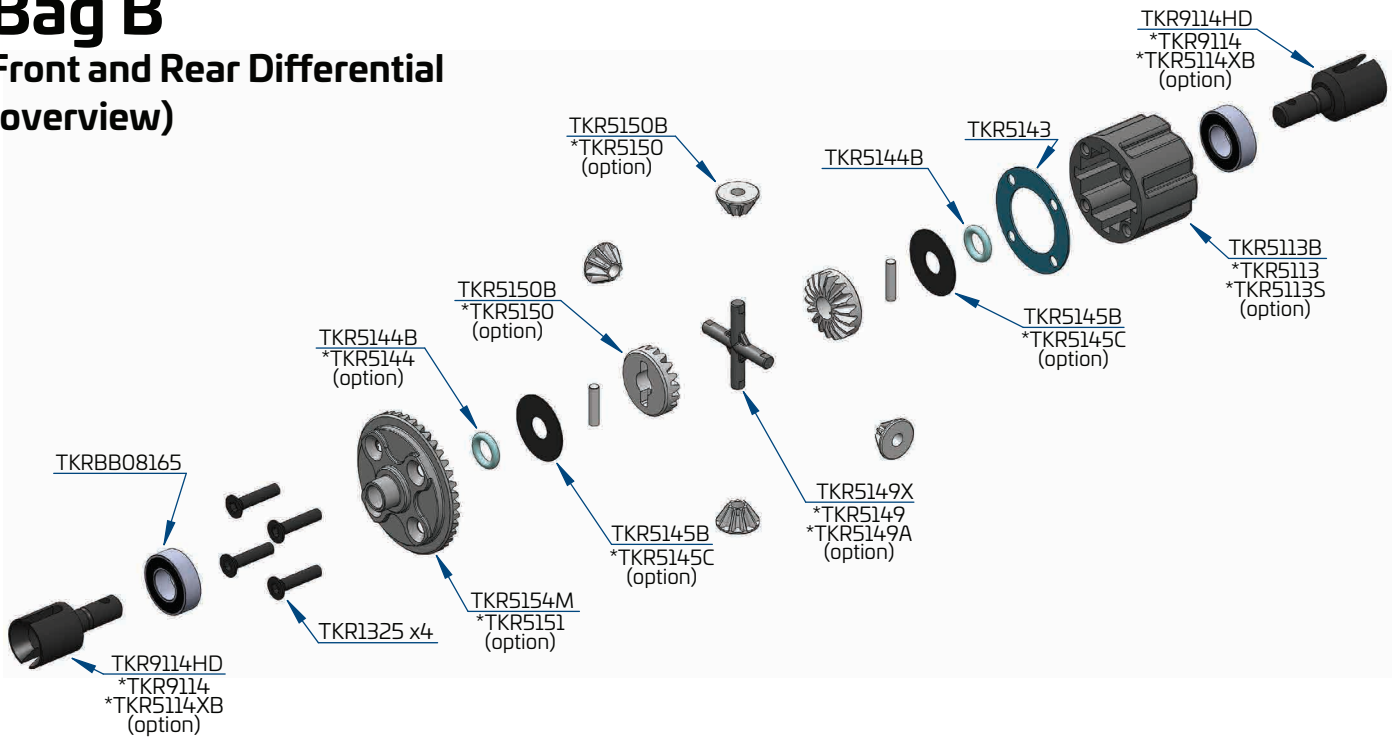
Step A-3



Fill with #100,000 CST oil to
1mm below full
DO NOT OVER FILL

Bag B

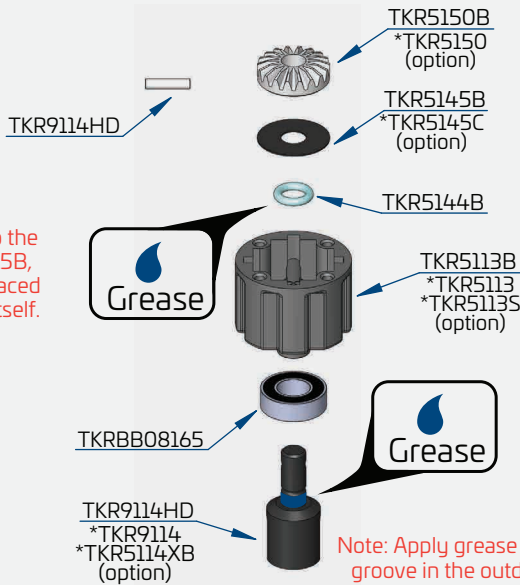
Front and Rear Differential (overview)



Step B-1

Repeat for rear diff

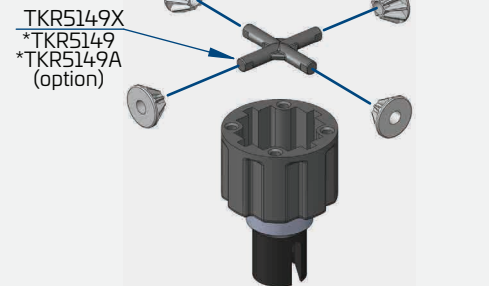
Note: Apply grease to the recess inside TKR9115B, where the o-ring is placed as well as the o-ring itself.



Note: Apply grease to the groove in the outdrive.

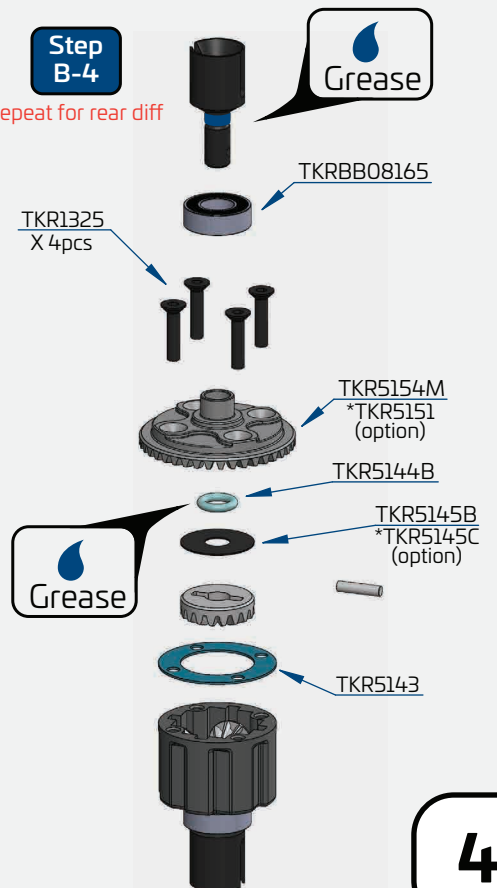
Step B-2

Repeat for rear diff



Step B-4

Repeat for rear diff



x8
TKR1325
M3x14mm Flat Head Screw

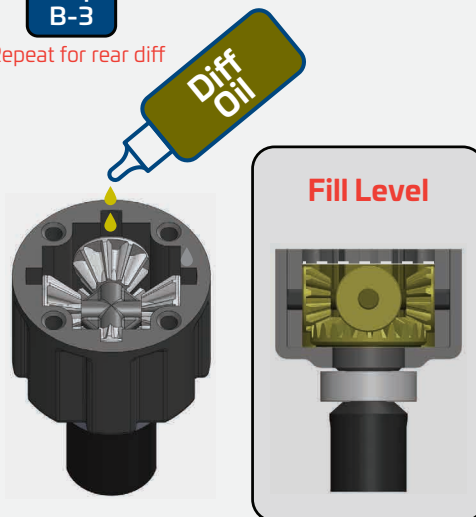
x4
TKR5144B
Differential O-rings

x4
TKR5145B
Differential Shims (6x17mm)

x4
TKRBB08165
Ball Bearing (8x16x5)

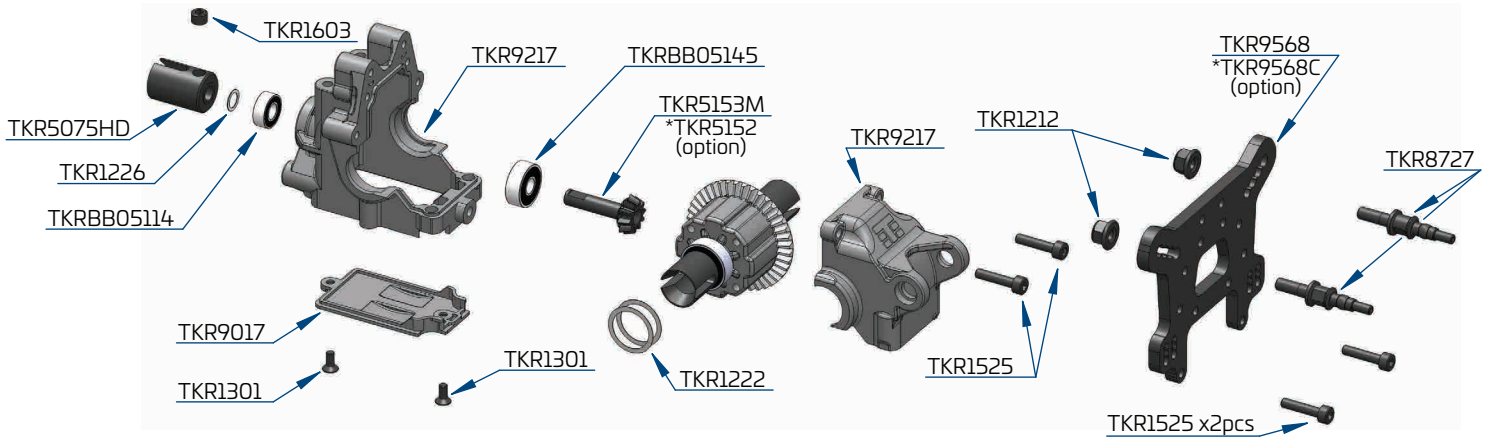
Step B-3

Repeat for rear diff

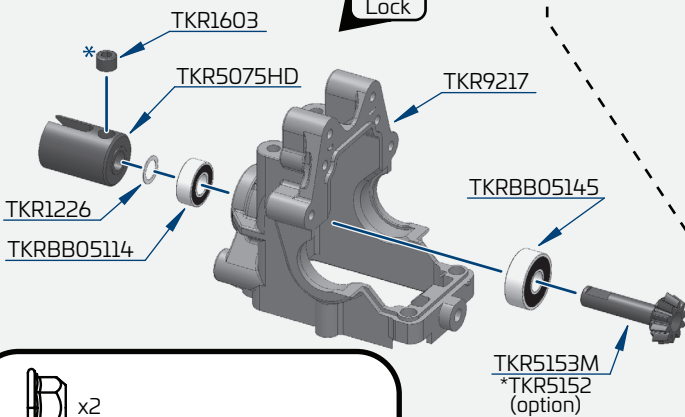


Fill with #100,000 CST oil FRONT
Fill with #50,000 CST oil REAR
to 1mm below full
DO NOT OVER FILL

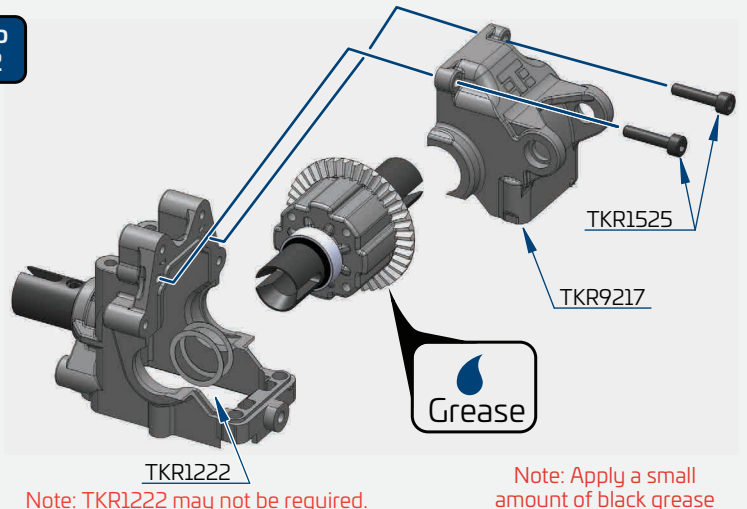
Bag C Front Gearbox (overview)



Step C-1



Step C-2



Note: TKR1222 may not be required. Check fitment and add if needed.

Note: Apply a small amount of black grease to the ring gear teeth.

x2
TKR1212
M4 Lock Nut Flange

x2
TKR1222
13x16x.1mm Shim

x1
TKR1226
M5x7x.2mm Shim

x2
TKR1301
M2.5x6mm Flat Head Screw

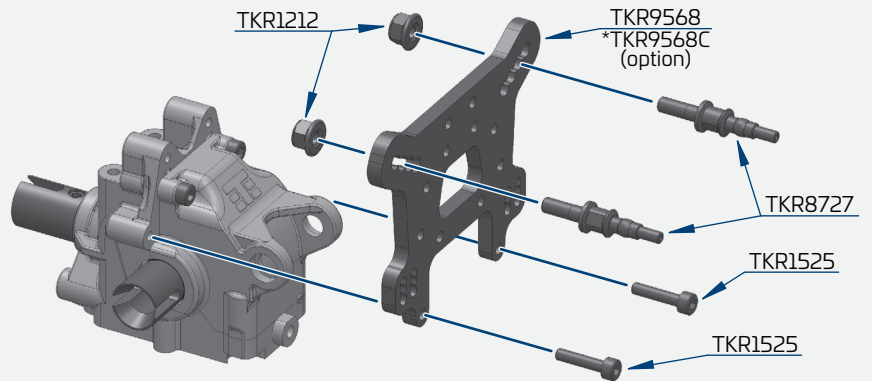
x4
TKR1525
M3x14mm Cap Head Screw

x1
TKR1603
M5x4mm Set Screw

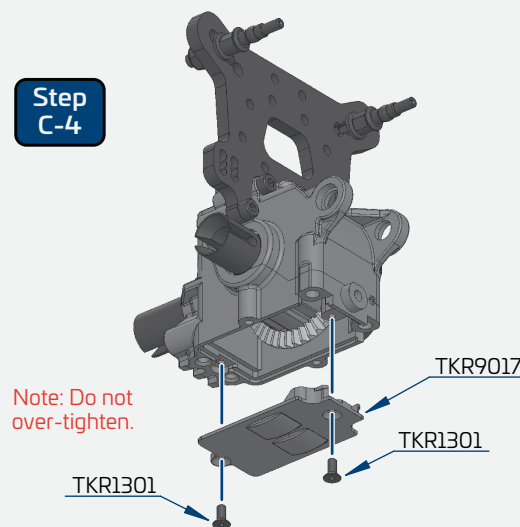
x1
TKRBB05114
Ball Bearing (5x11x4)

x1
TKRBB05145
Ball Bearing (5x14x5)

Step C-3

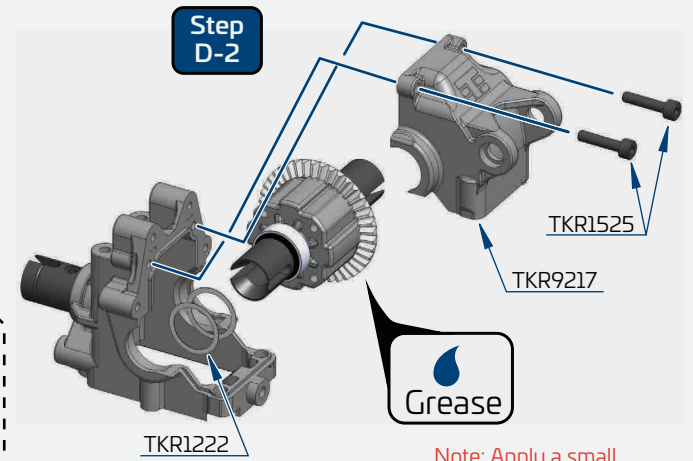
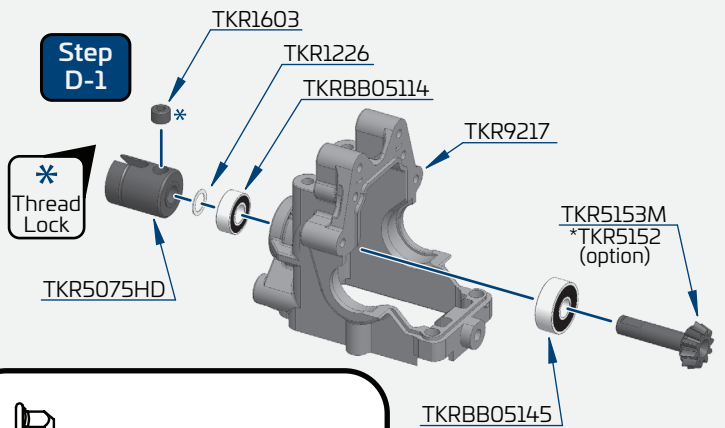
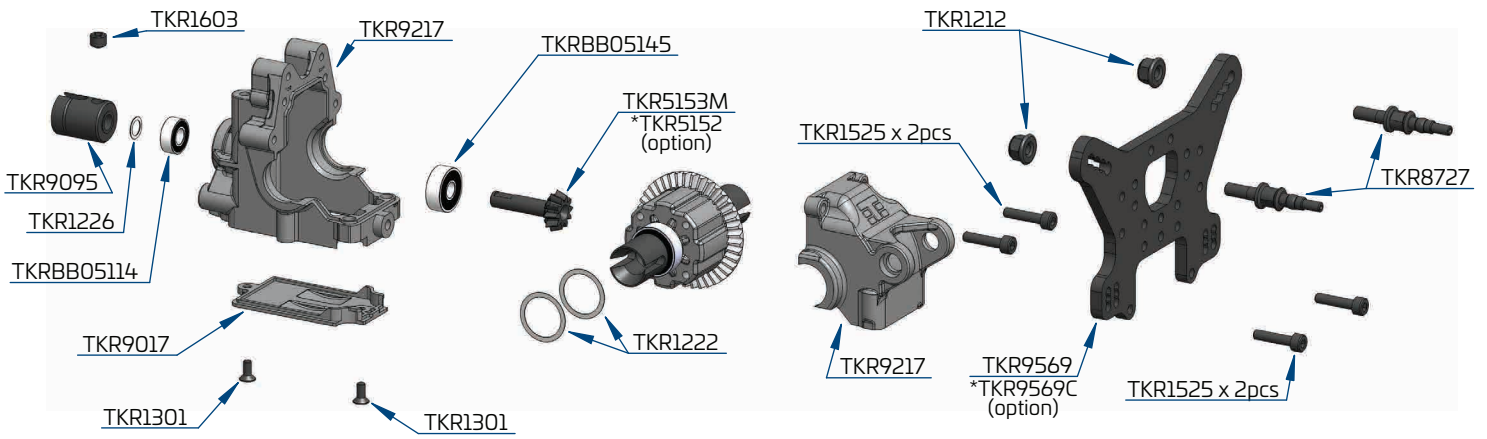


Step C-4




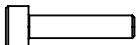

Note: This is the standoff location.

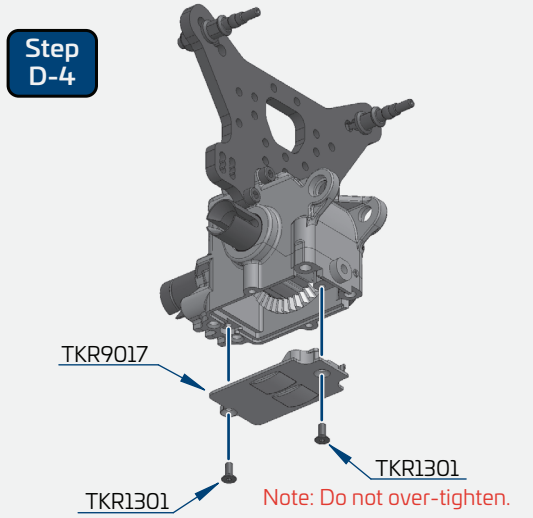
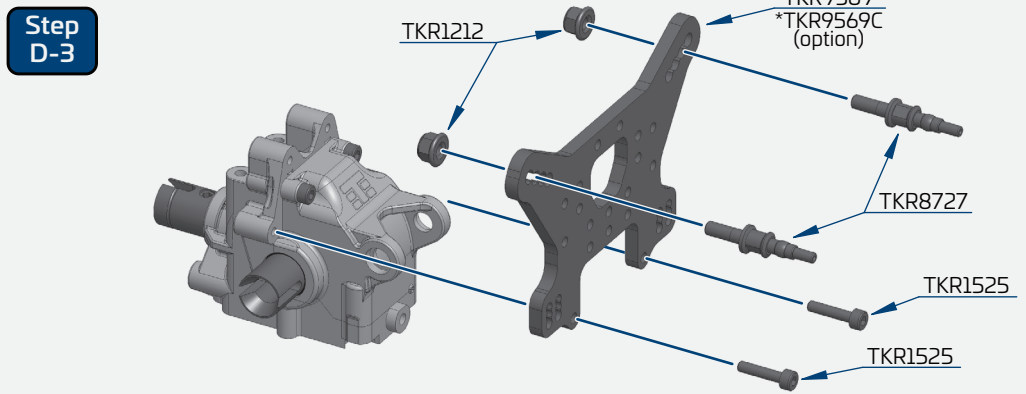
Bag D Rear Gearbox (overview)



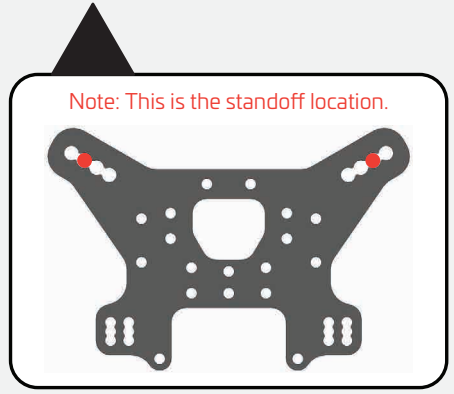
Note: TKR1222 may not be required. Check fitment and add if needed.

Note: Apply a small amount of black grease to the ring gear teeth.

-  x2
TKR1212
M4 Lock Nut Flange
-  x2
TKR1222
13x16x.1mm Shim
-  x1
TKR1226
M5x7x.2mm Shim
-  x2
TKR1301
M2.5x6mm Flat Head Screw
-  x4
TKR1525
M3x14mm Cap Head Screw
-  x1
TKR1603
M5x4mm Set Screw
-  x1
TKRBB05114
Ball Bearing (5x11x4)
-  x1
TKRBB05145
Ball Bearing (5x14x5)



Note: Do not over-tighten.

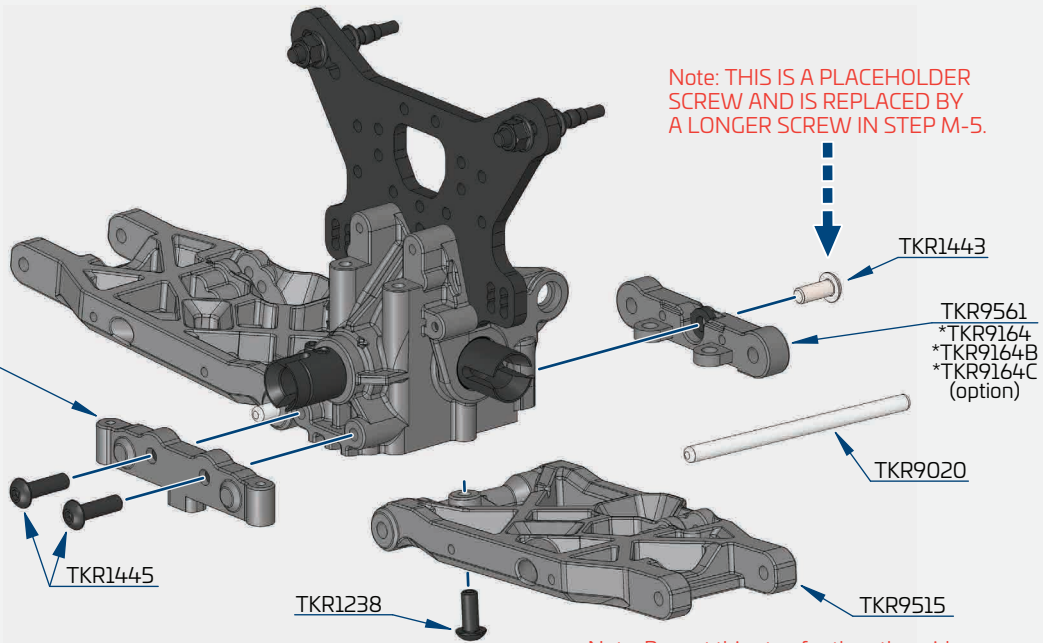


Bag E

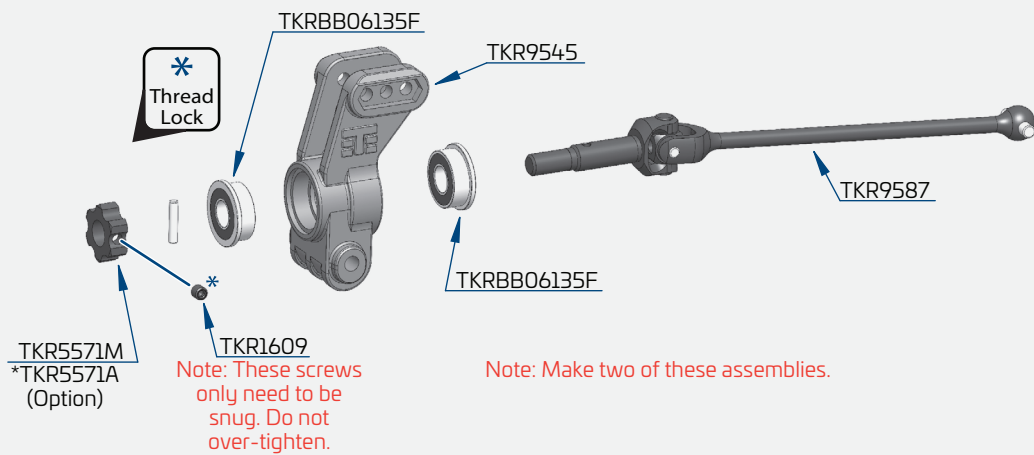
Rear End Assembly

Step E-1

TKR9561
*TKR9163
*TKR9163B
*TKR9163C
(option)



Step E-2



x4
TKR1201
M3 Locknut Black

x2
TKR1238
M4x10mm Droop Screw

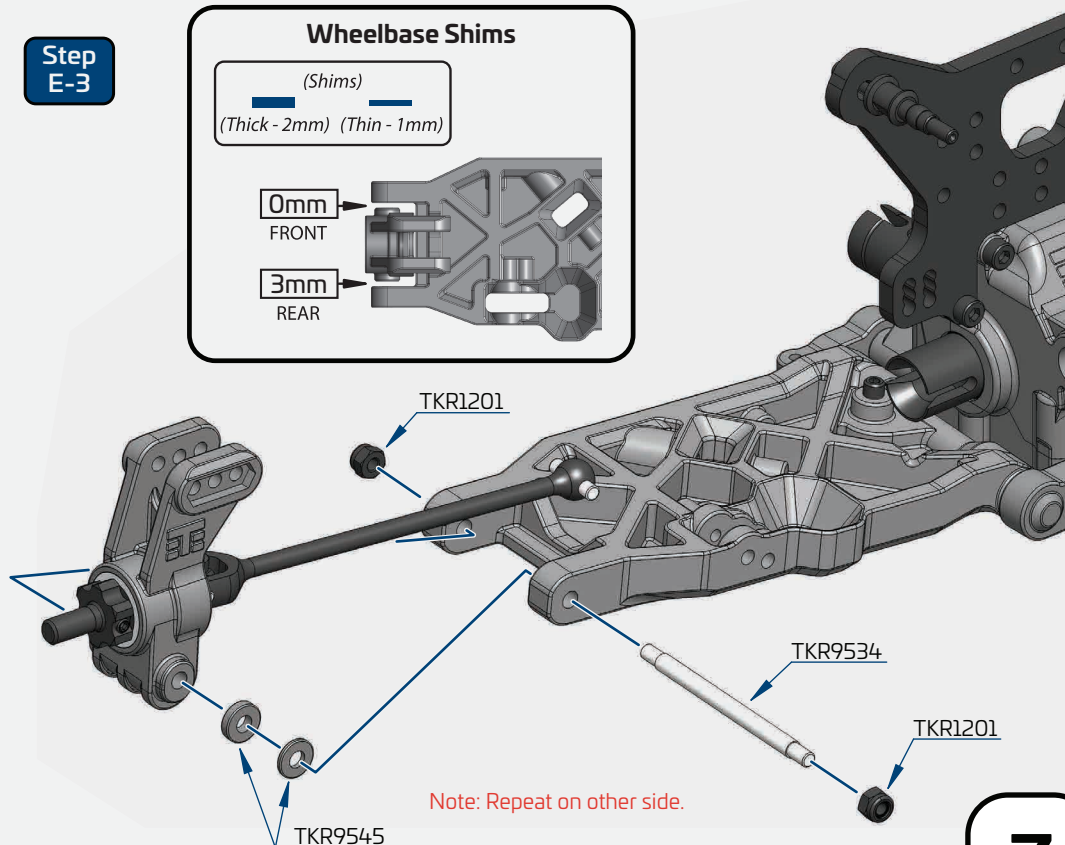
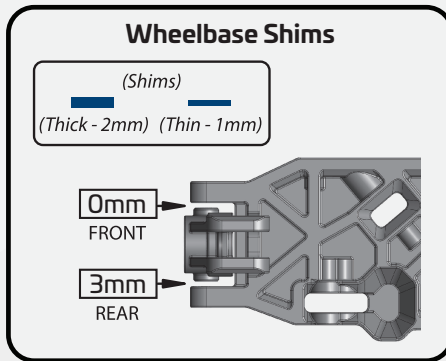
x1
TKR1443
M4x10mm Button Head Screw

x2
TKR1445
M4x14mm Button Head Screw

x2
TKR1609
M3x3mm Set Screw

x4
TKRBB06135F
Flanged Ball Bearing (6x13x5)

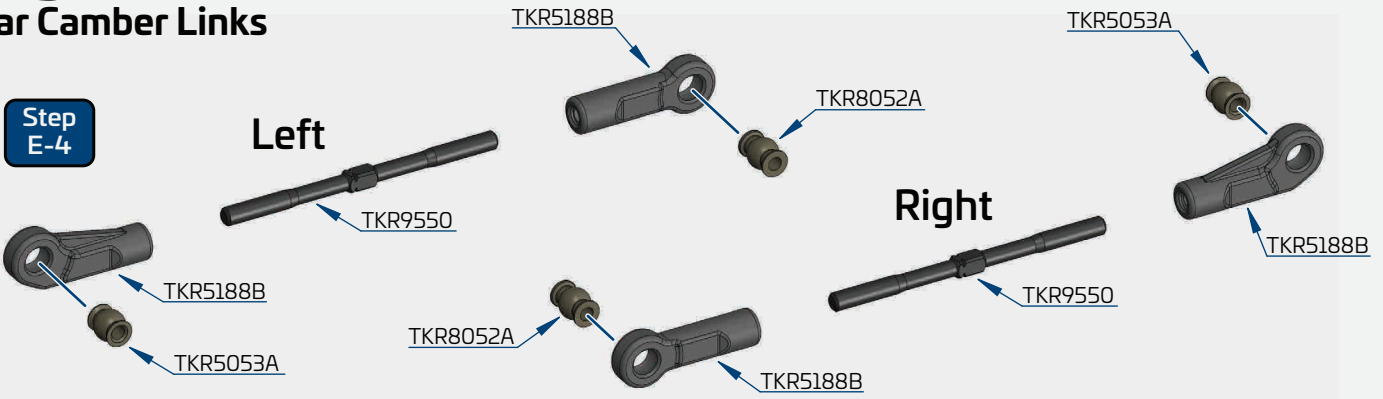
Step E-3



Bag E

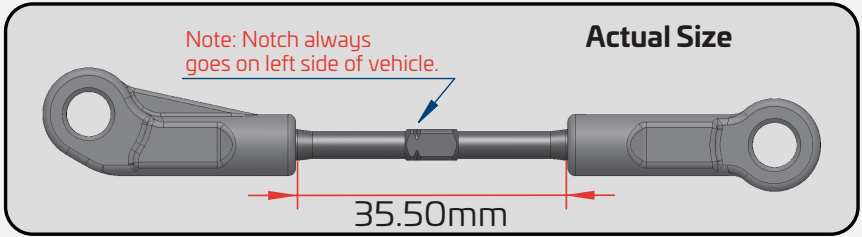
Rear Camber Links

Step E-4

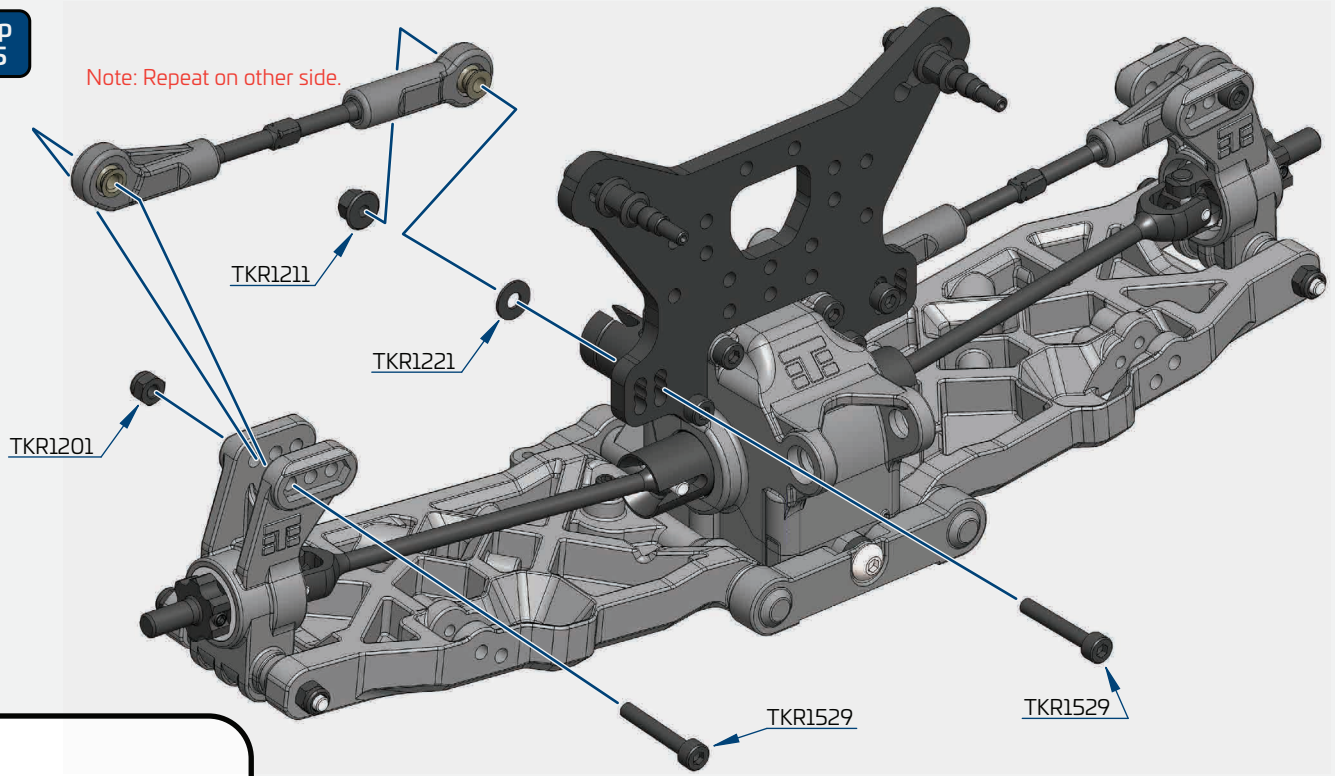


Build Tip: Use some grease or Chapstick on the threads to help prevent "pop-off" when adjustments are being made.

Build Note: Hold the turnbuckle stationary with pliers and push the rod end hard onto the turnbuckle while turning at the same time. Keep in mind that one end of the turnbuckle has normal threads and the other has reverse threads. Start the rod end straight and it will thread on straight.



Step E-5



x4
TKR1201
M3 Locknut Black



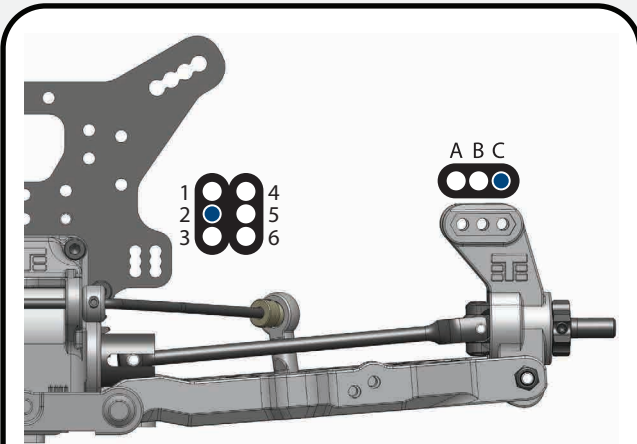
x2
TKR1211
M3 Lock Nut Flange Black



x2
TKR1221
M3x8mm Washer



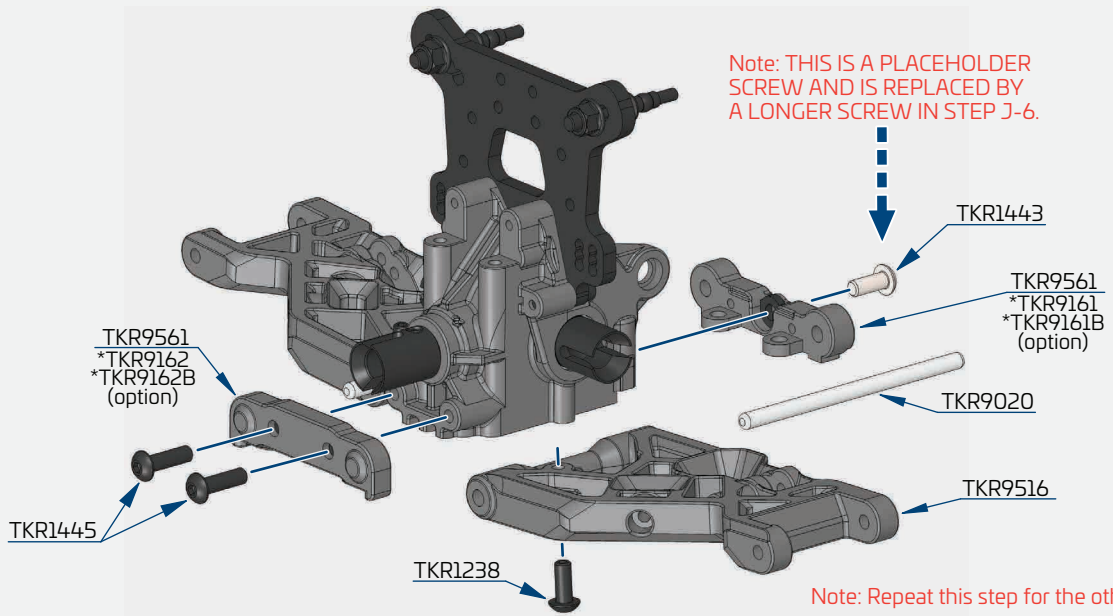
x4
TKR1529
M3x20mm Cap Head Screw



Stock position is 2/C

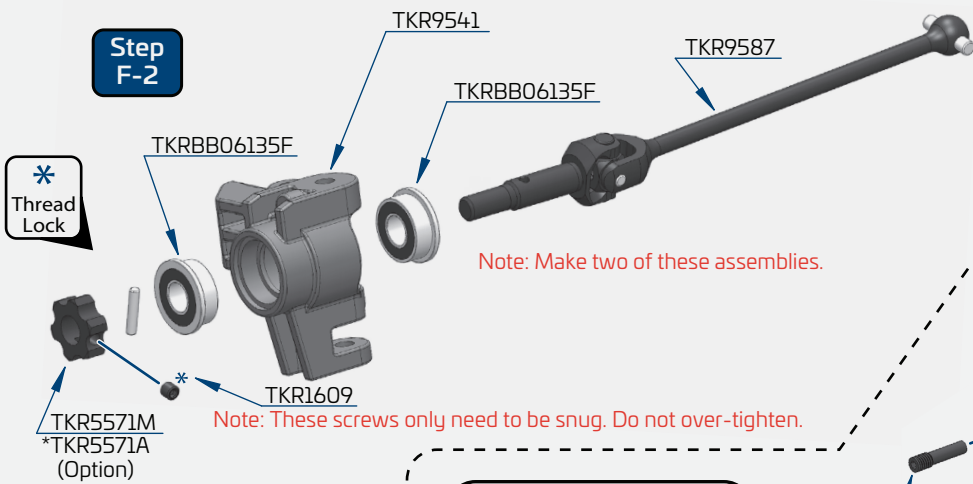
Bag F Front End Assembly

Step F-1



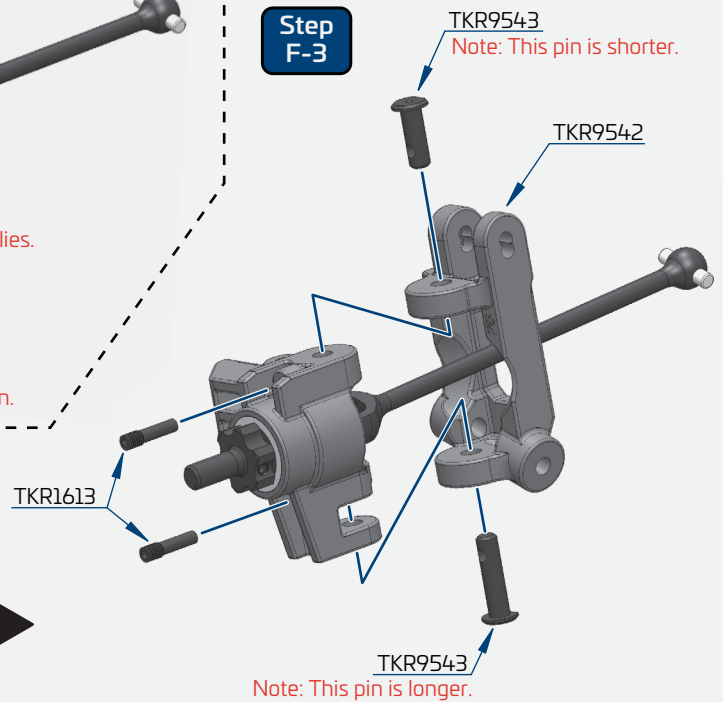
Note: Repeat this step for the other side.

Step F-2



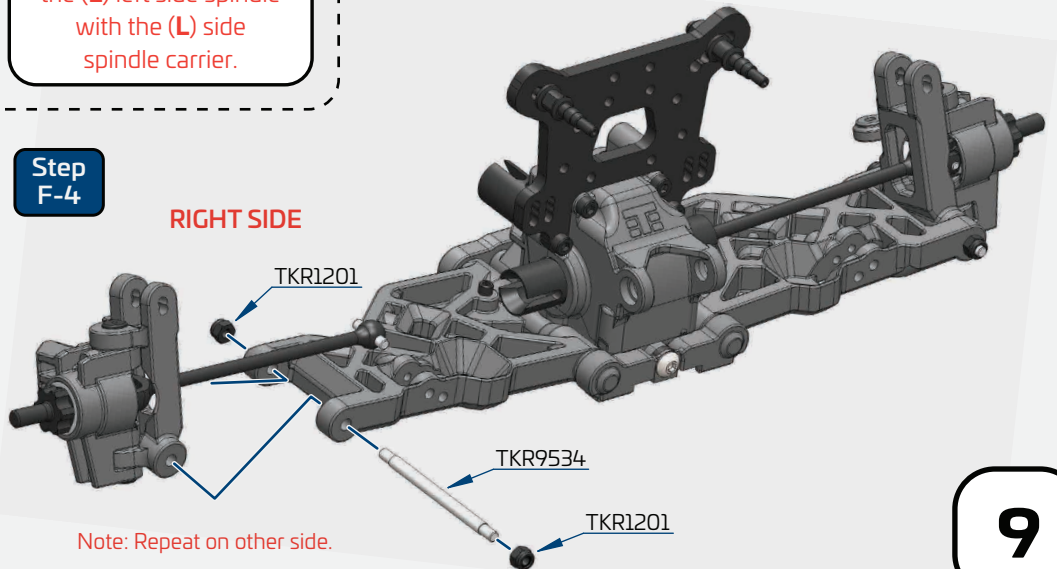
Note: These screws only need to be snug. Do not over-tighten.

Step F-3



Note: Make sure to use the (R) right side spindle with the (R) right side spindle carrier, and the (L) left side spindle with the (L) side spindle carrier.

Step F-4

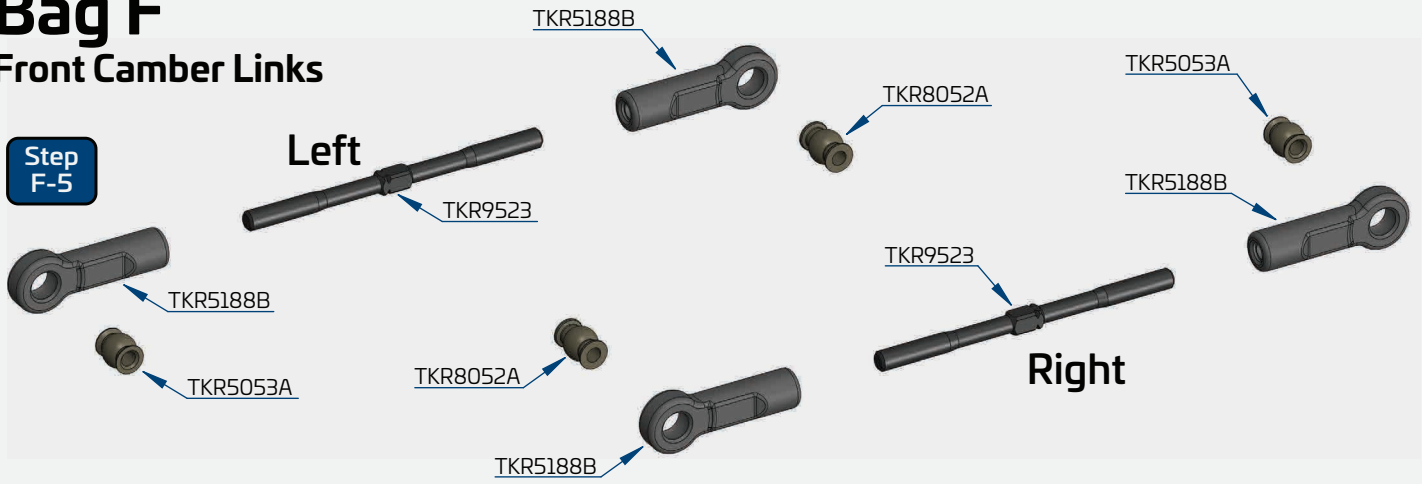


- x4
TKR1201
M3 Locknut Black
- x2
TKR1238
M4x10mm Droop Screw
- x1
TKR1443
M4x10mm Button Head Screw
- x2
TKR1445
M4x14mm Button Head Screw
- x2
TKR1609
M3x3mm Set Screw
- x4
TKR1613
M3x12mm Screw Pin
- x4
TKRBB06135F
Flanged Ball Bearing (6x13x5)

Bag F

Front Camber Links

Step F-5



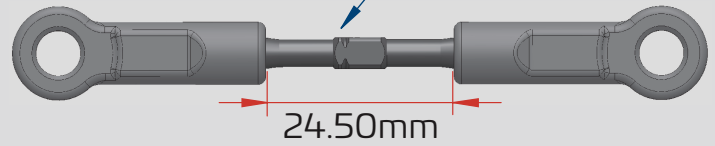
Build Tip: Use some grease or Chapstick on the threads to help prevent "pop-off" when adjustments are being made.

Build Note: Hold the turnbuckle stationary with pliers and push the rod end hard onto the turnbuckle while turning at the same time. Keep in mind that one end of the turnbuckle has normal threads and the other has reverse threads. Start the rod end straight and it will thread on straight.

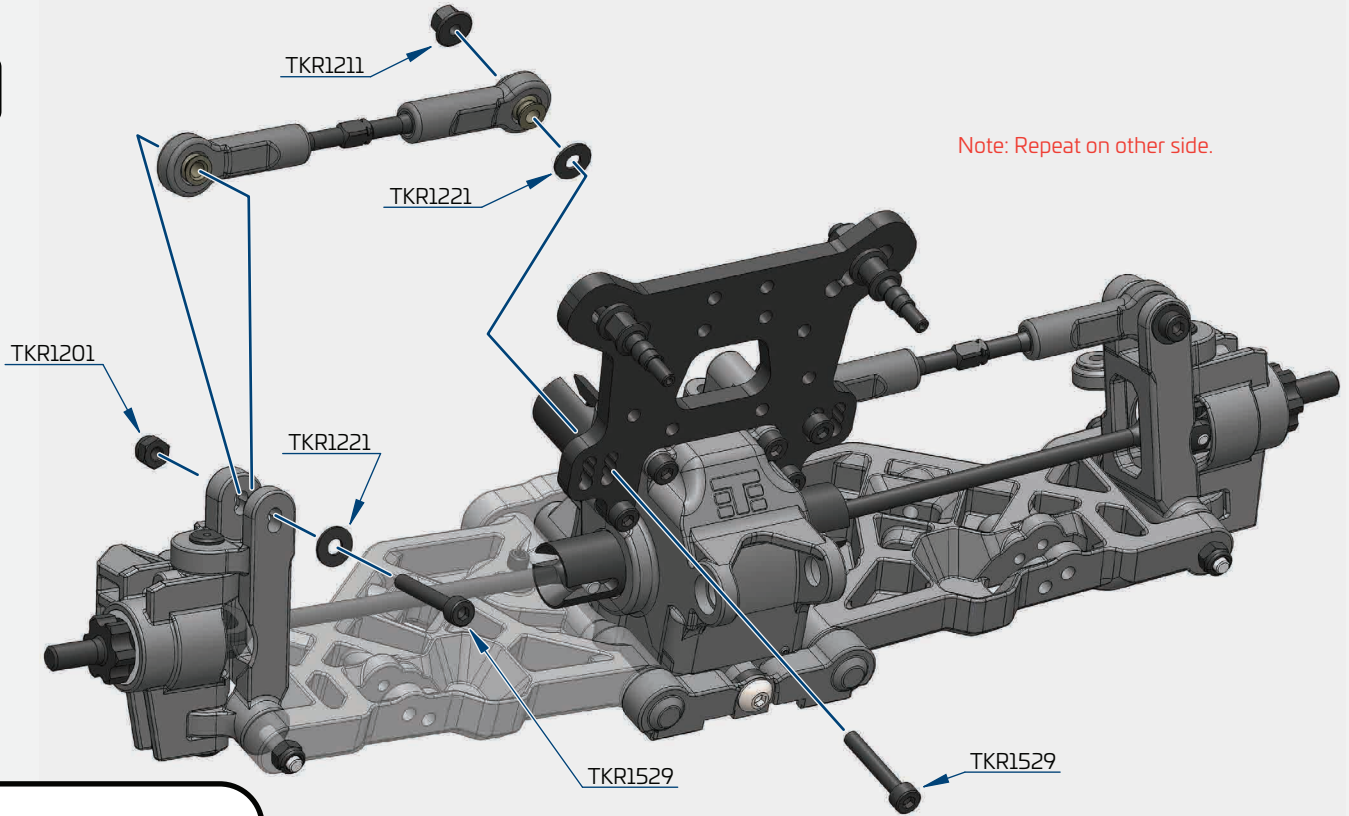
Front Camber Links

Note: Notch always goes on left side of vehicle.

Actual Size



Step F-6



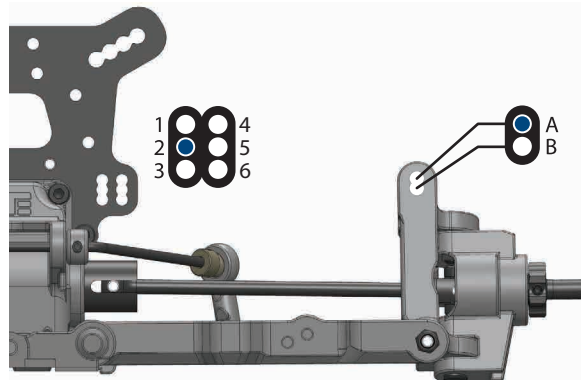
Note: Repeat on other side.

x2
TKR1211
M3 Lock Nut Flange Black

x2
TKR1201
M3 Locknut Black

x4
TKR1221
M3x8mm Washer

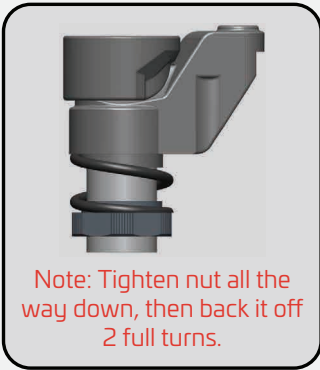
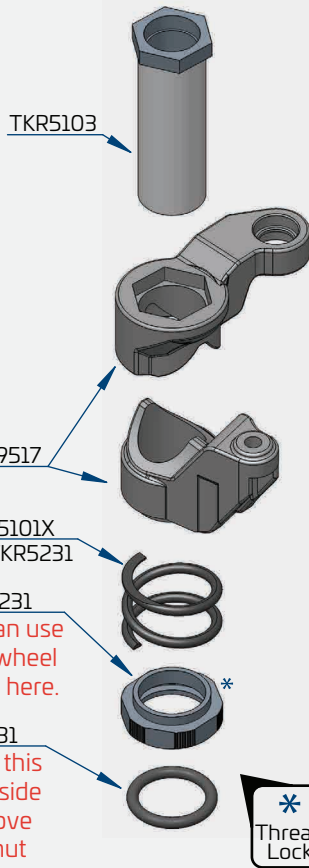
x4
TKR1529
M3x20mm Cap Head Screw



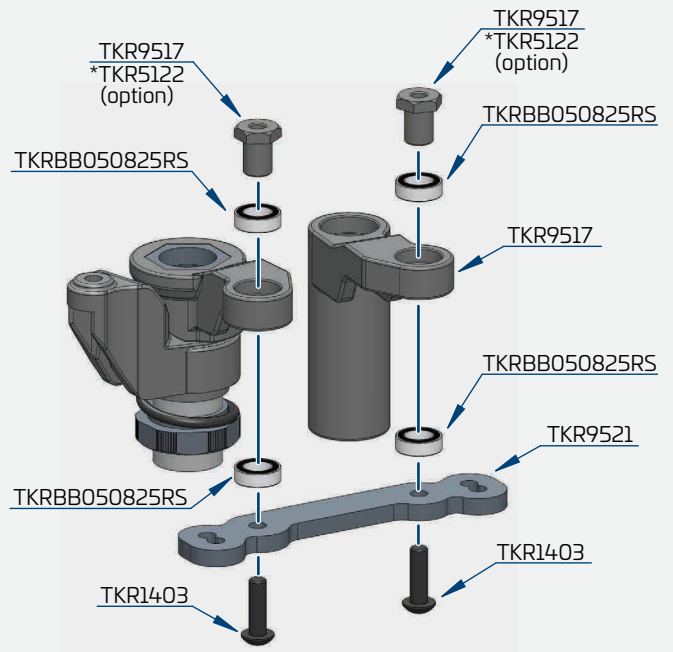
Stock position is 2/A

Bag G Steering Assembly

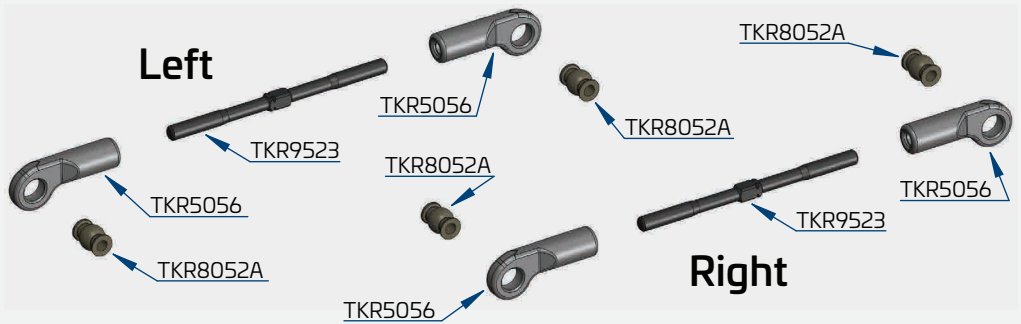
Step G-1



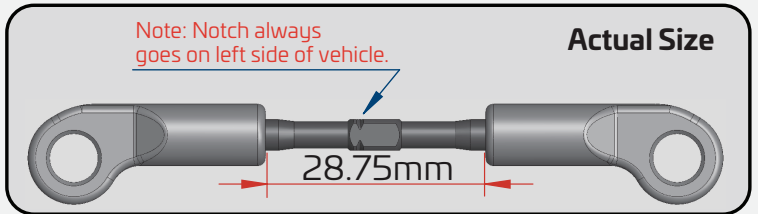
Step G-2



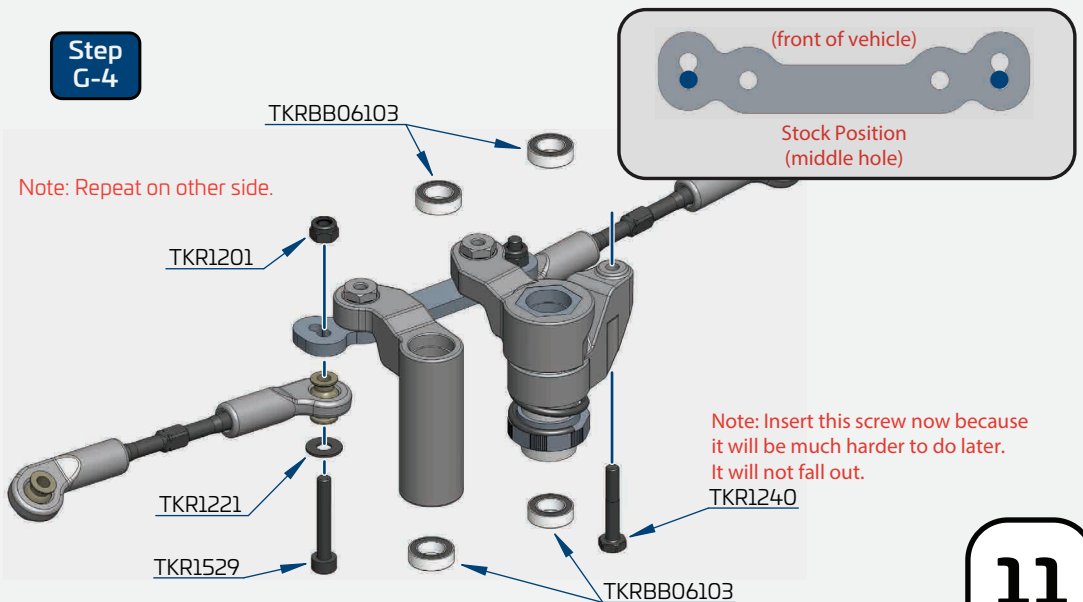
Step G-3



Steering Links



Step G-4



x2
TKR1201
M3 Lock Nut Black

x2
TKR1221
M3x8mm Washer

x1
TKR1240
M3x18mm Shock Mnt Screw

x2
TKR1403
M3x10mm Button Head Screw

x2
TKR1529
M3x20mm Cap Head Screw

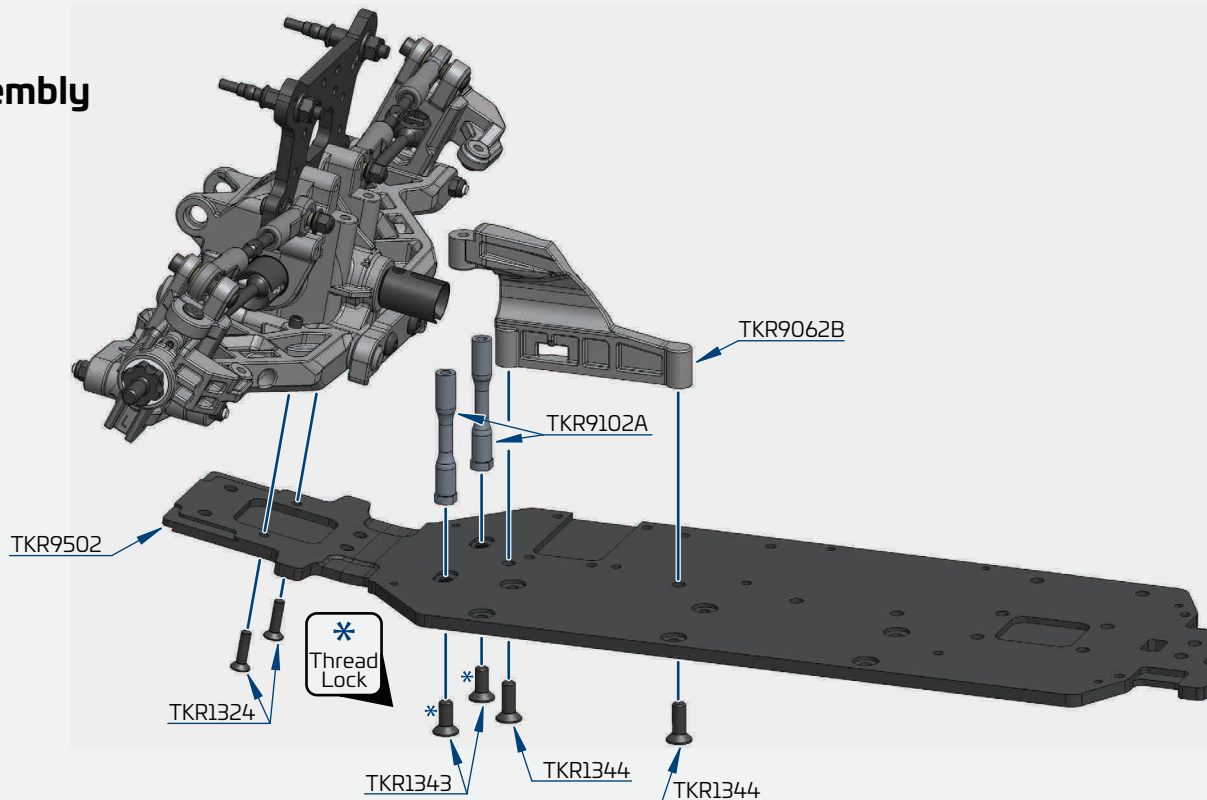
x4
TKRBB050825RS
Ball Bearing (5x8x2.5)

x4
TKRBB06103
Ball Bearing (6x10x3)

Bag H

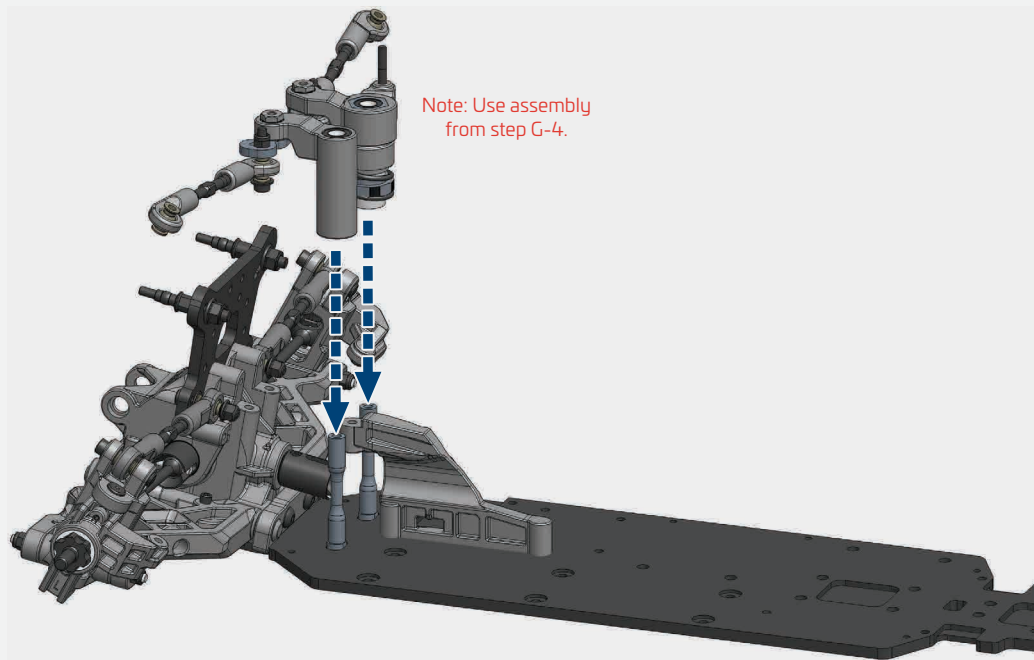
Front End Assembly

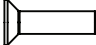
Step H-1

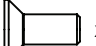


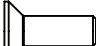
Step H-2

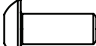
Note: Use assembly from step G-4.



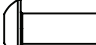
 x2
TKR1324
M3x12mm Flat Head Screw

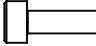
 x2
TKR1343
M4x10mm Flat Head Screw

 x2
TKR1344
M4x12mm Flat Head Screw

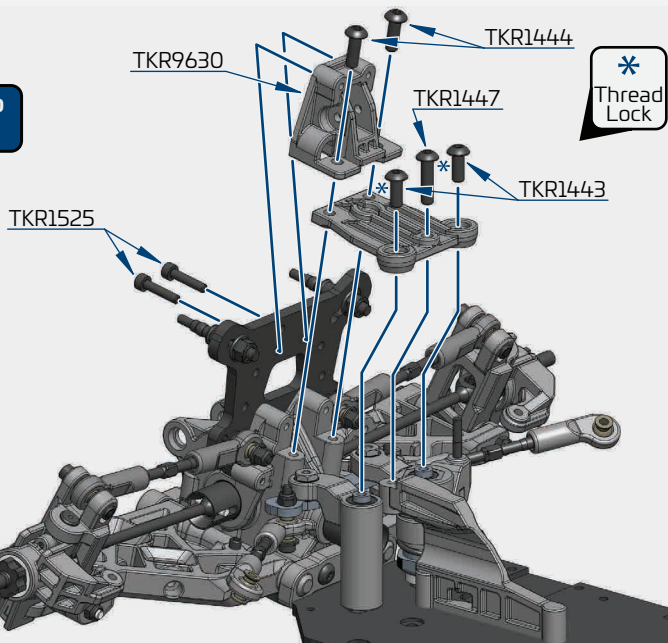
 x2
TKR1443
M4x10mm Button Head Screw

 x2
TKR1444
M4x12mm Button Head Screw

 x1
TKR1447
M4x16mm Button Head Screw

 x2
TKR1525
M3x14mm Cap Head Screw

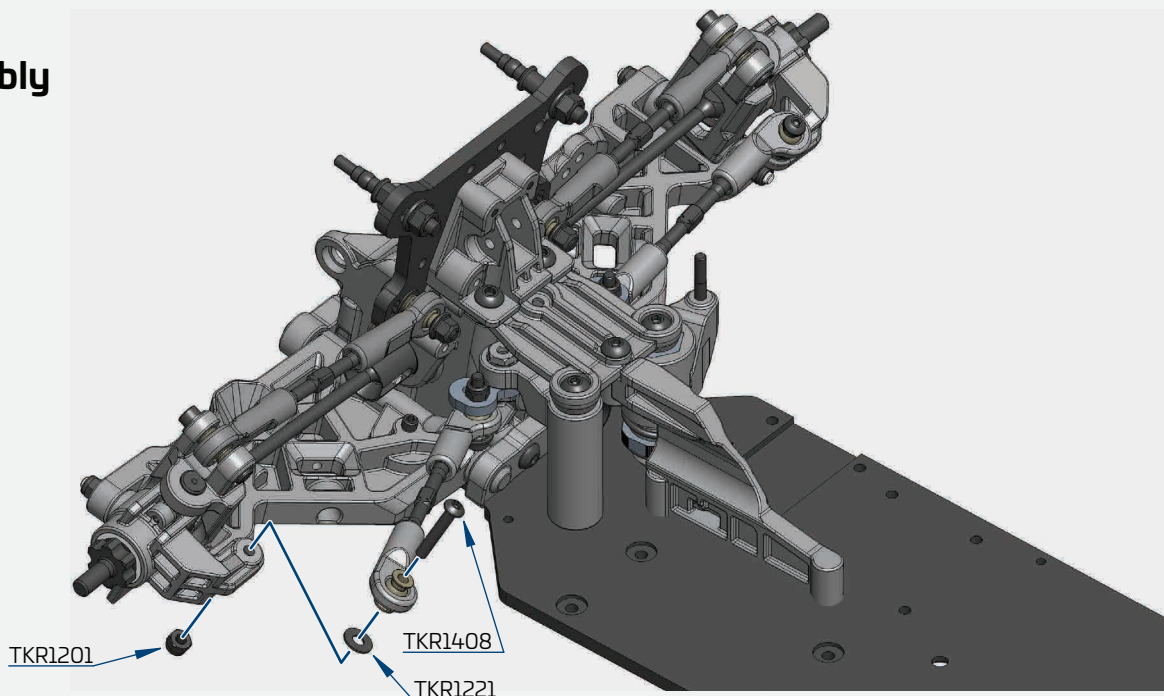
Step H-3



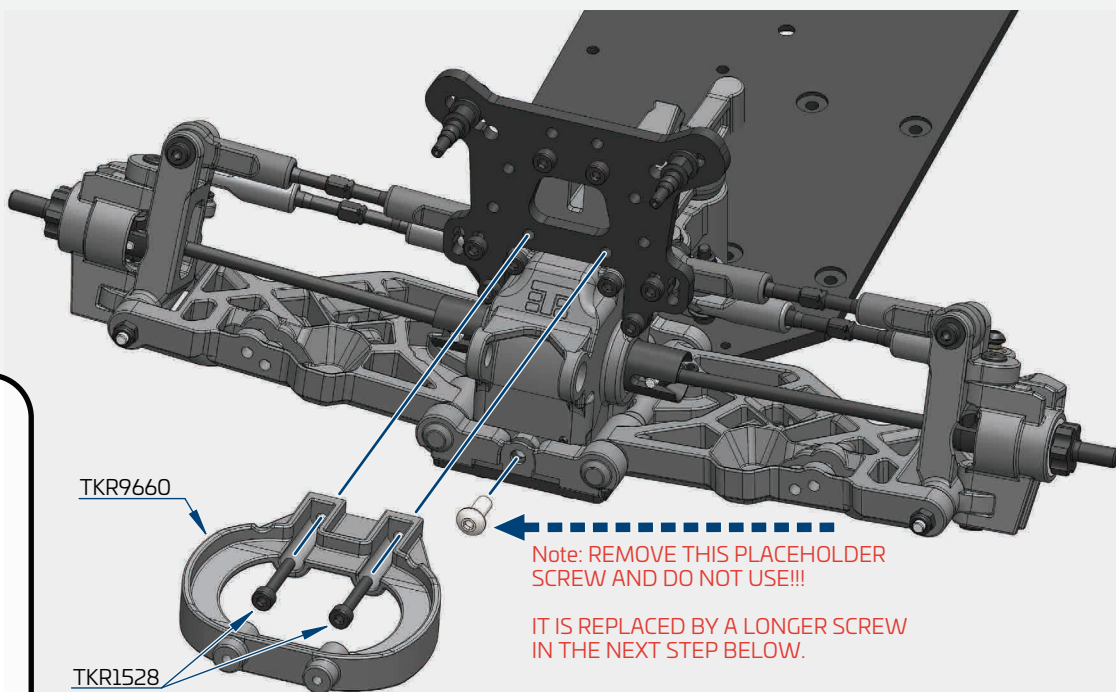
Bag H


Front End Assembly

Step H-4

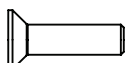


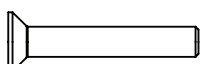
Step H-5

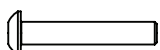


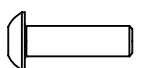
 x2
TKR1201
M3 Locknut Black

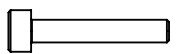
 x2
TKR1221
M3x8mm Washer

 x2
TKR1346
M4x15mm Flat Head Screw

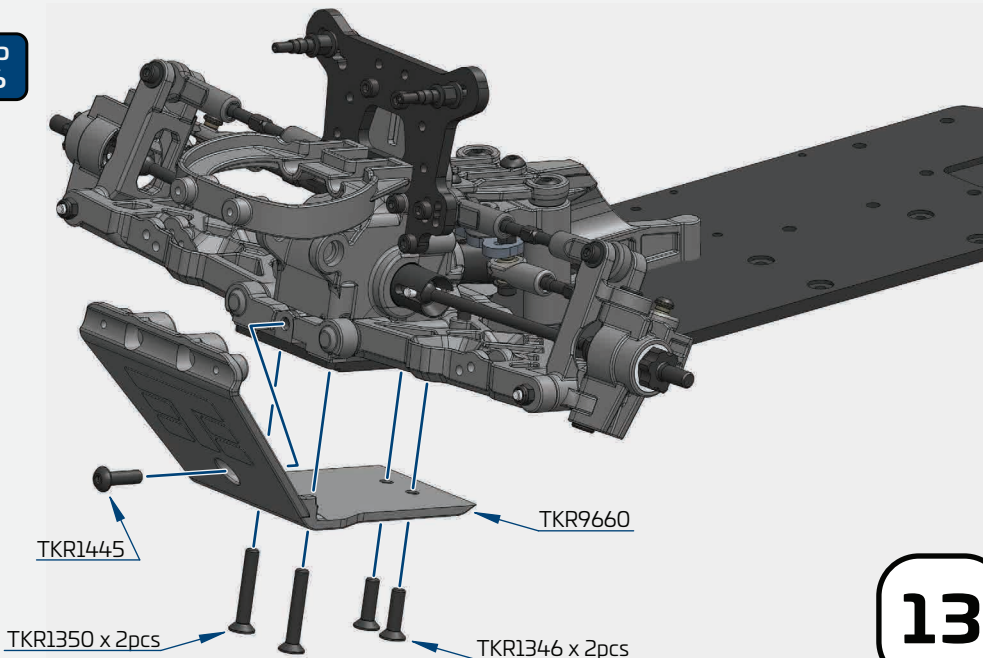
 x2
TKR1350
M4x25mm Flat Head Screw

 x2
TKR1408
M3x18mm Button Head Screw

 x1
TKR1445
M4x14mm Button Head Screw

 x2
TKR1528
M3x18mm Cap Head Screw

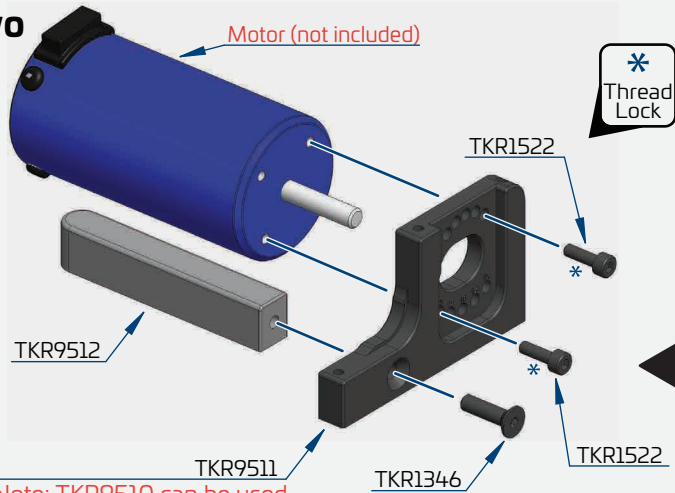
Step H-6



Bag I

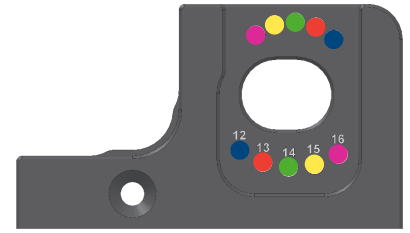
Motor/Servo

Step I-1



Note: TKR9510 can be used here if using any pinion above 16 tooth.
*Sold separately.

1 Piece Motor Mount



Note: Laser etched numbers indicates what MOD 1 pinion is to be used with each set of holes. Match the corresponding color for the second hole.

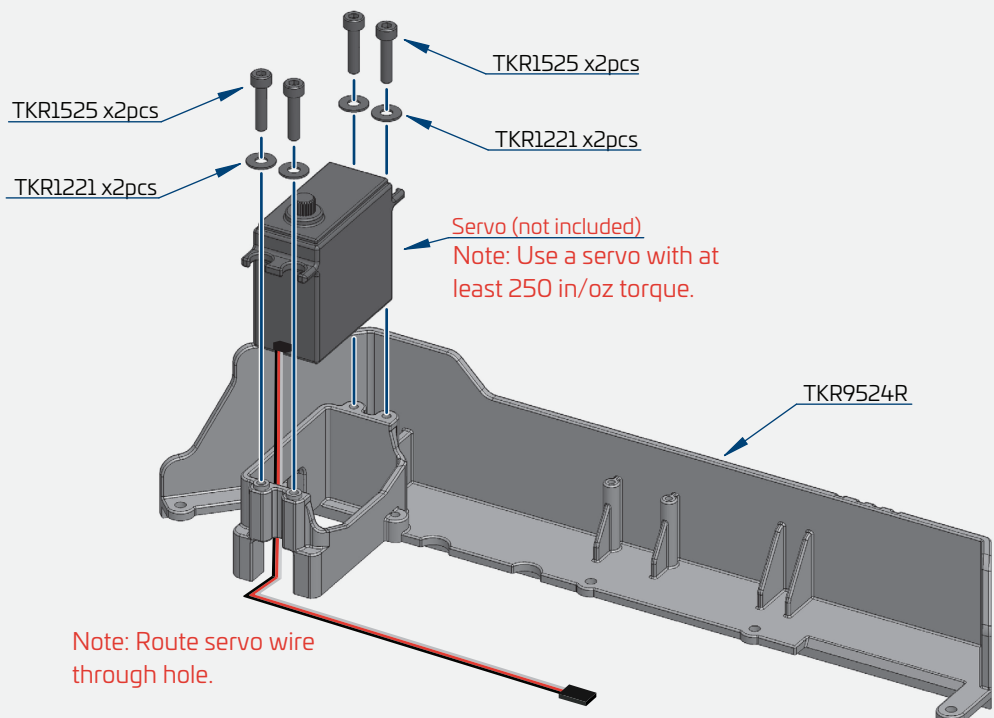
MOD 1 Gearing Recommendations

Note: Gearing recommendations in **RED** require the use of TKR9510 motor mount. This mount is not included and sold separately.

Motor	4-Pole	Battery	Pinion	
			General Bashing	High Speed
4300kv		2 Cell	13 tooth	15 tooth
4000kv		2 Cell	14 tooth	16 tooth
3800kv		2 Cell	15 tooth	18 tooth
3500kv		2 Cell	16 tooth	19 tooth
3800kv		3 Cell	(not recommended)	12 tooth
3500kv		3 Cell	(not recommended)	13 tooth
3200kv		3 Cell	12 tooth	14 tooth
3000kv		3 Cell	13 tooth	15 tooth
2800kv		3 Cell	15 tooth	17 tooth
2400kv		3 Cell	16 tooth	18 tooth

Note: These gearing recommendations are just starting points. Each user might have to adjust based on batteries used, individual preferences, and specific tracks.

Step I-2



Note: Route servo wire through hole.

x4
TKR1221
M3x8mm Washer

x1
TKR1346
M4x15mm Flat Head Screw

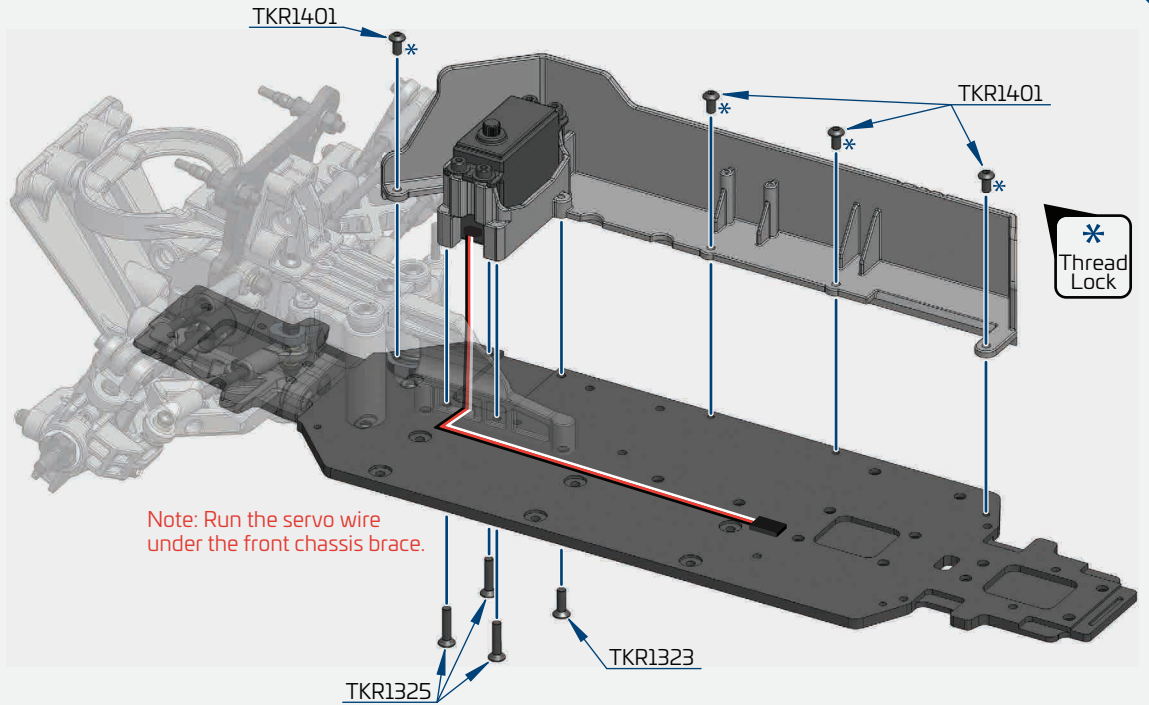
x2
TKR1522
M3x8mm Cap Head Screw

x4
TKR1525
M3x14mm Cap Head Screw

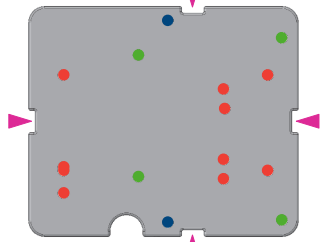
Bag I

Motor/Servo/ Mud Guards/ESC

Step
I-3

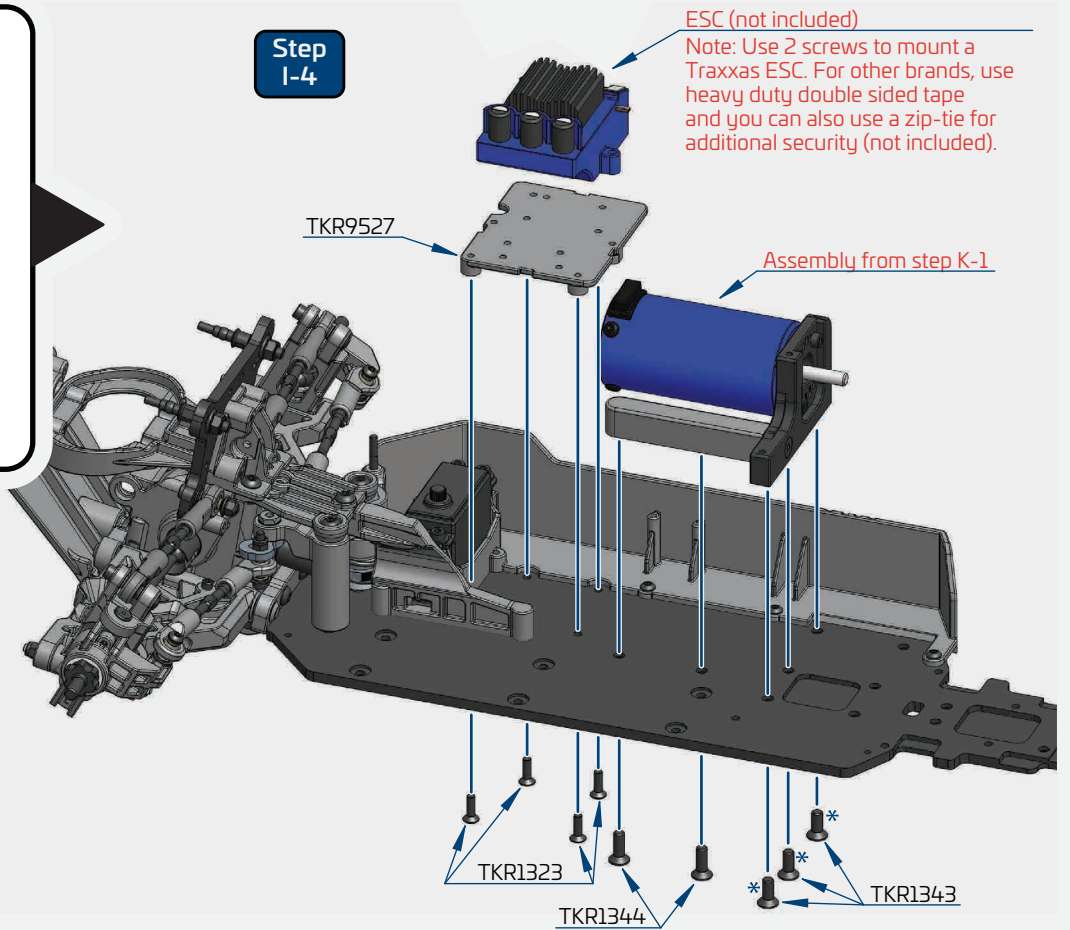


ESC Mounting Options



- Mounting holes to chassis.
- ▲ Zip-Tie cutouts.
- Traxxas ESC holes.
- Tekin or HobbyWing ESC holes.

Step
I-4



x5
TKR1323
M3x10mm Flat Head Screw

x3
TKR1325
M3x14mm Flat Head Screw

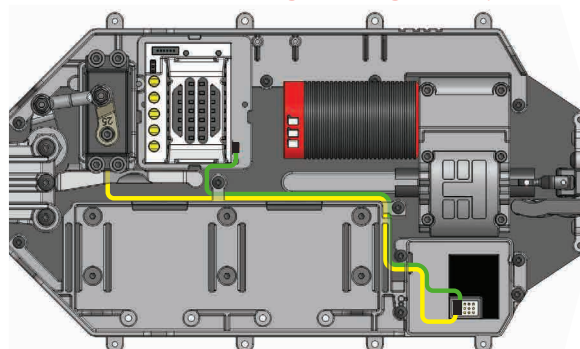
x3
TKR1343
M4x10mm Flat Head Screw

x2
TKR1344
M4x12mm Flat Head Screw

x4
TKR1401
M3x6mm Button Head Screw

Electronics Wiring Diagram

Note: Refer to this diagram during build step J-2.



Bag J

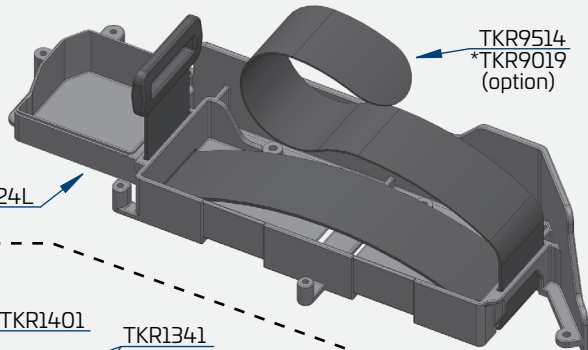
Battery Tray/ Servo Link

Step
J-1

TKR9524L

TKR9514
*TKR9019
(option)

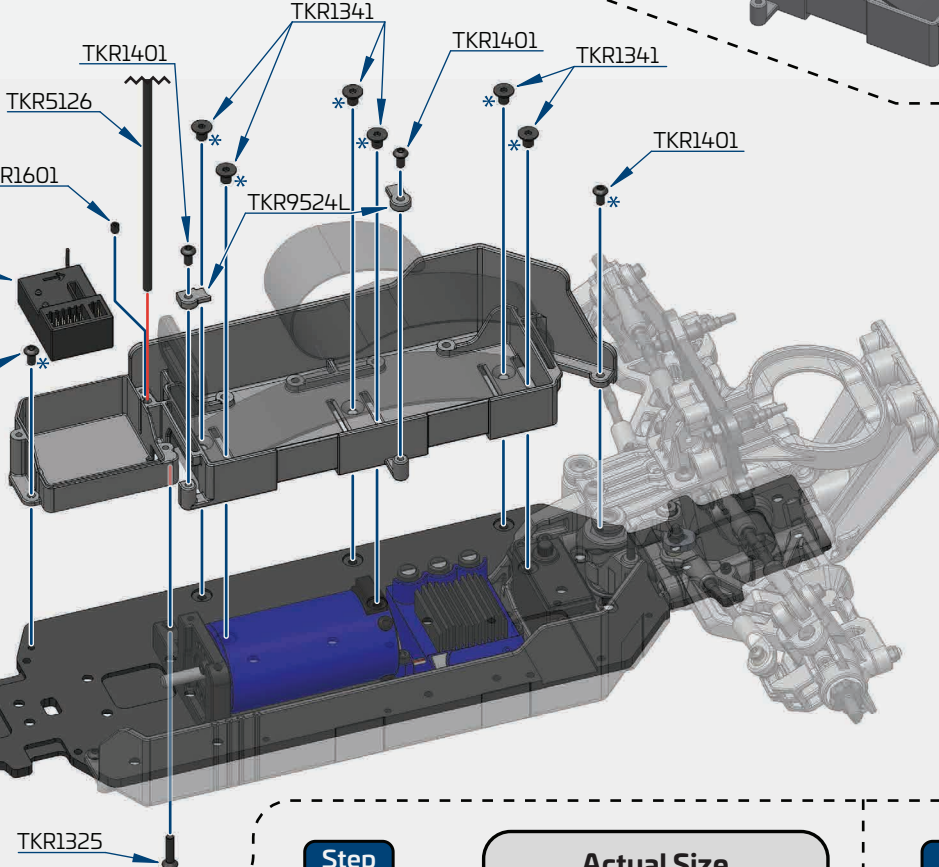
Note: Install battery strap as show in the image. Do this before moving to the next step.



Step
J-2

Receiver
(not included)

*
Thread
Lock



Note: Refer to the Wiring Diagram on the previous page during this step. Wires from the ESC and servo will be routed beneath the small wire guides in this step. It is important to keep all loose wires carefully routed to avoid being damaged by the center driveshaft.

Step
J-3

Actual Size

1mm

x2
TKR1211
M3 Lock Nut Flange Black

x2
TKR1221
M3x8mm Washer

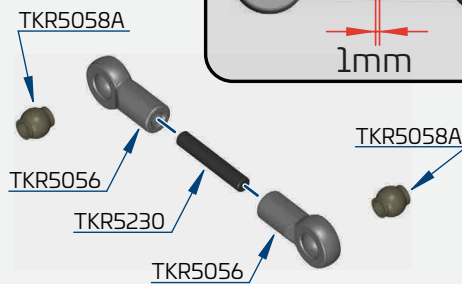
x1
TKR1325
M3x14mm Flat Head Screw

x1
TKR1327
M3x16mm Flat Head Screw

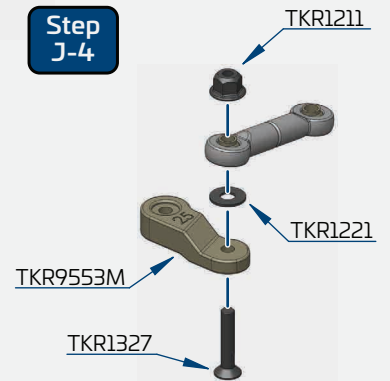
x6
TKR1341
M4x6mm Flat Head Screw

x7
TKR1401
M3x6mm Button Head Screw

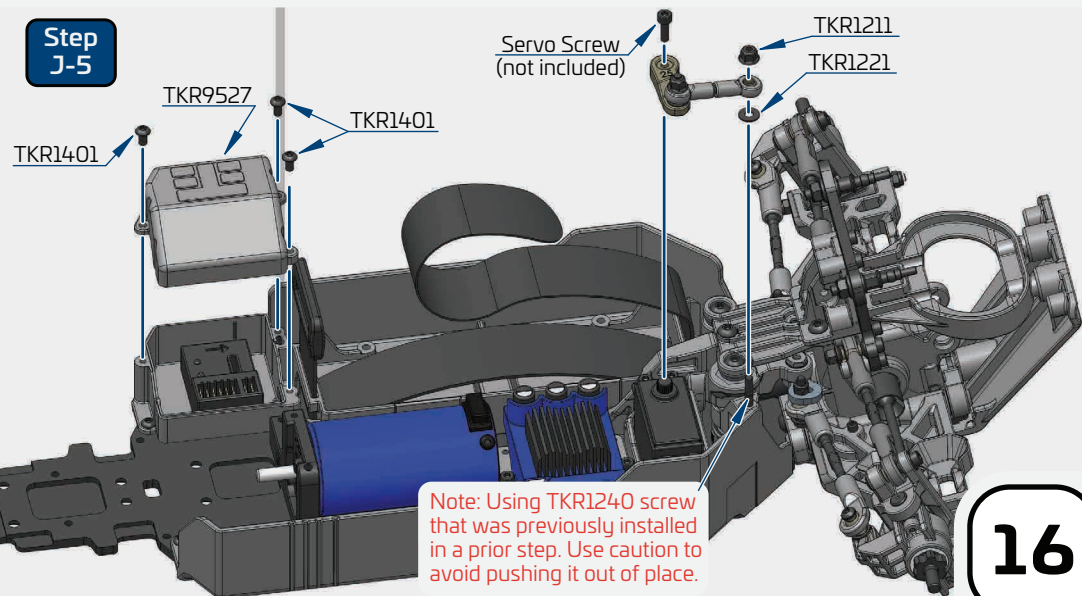
x1
TKR1601
M3x4mm Set Screw



Step
J-4



Step
J-5

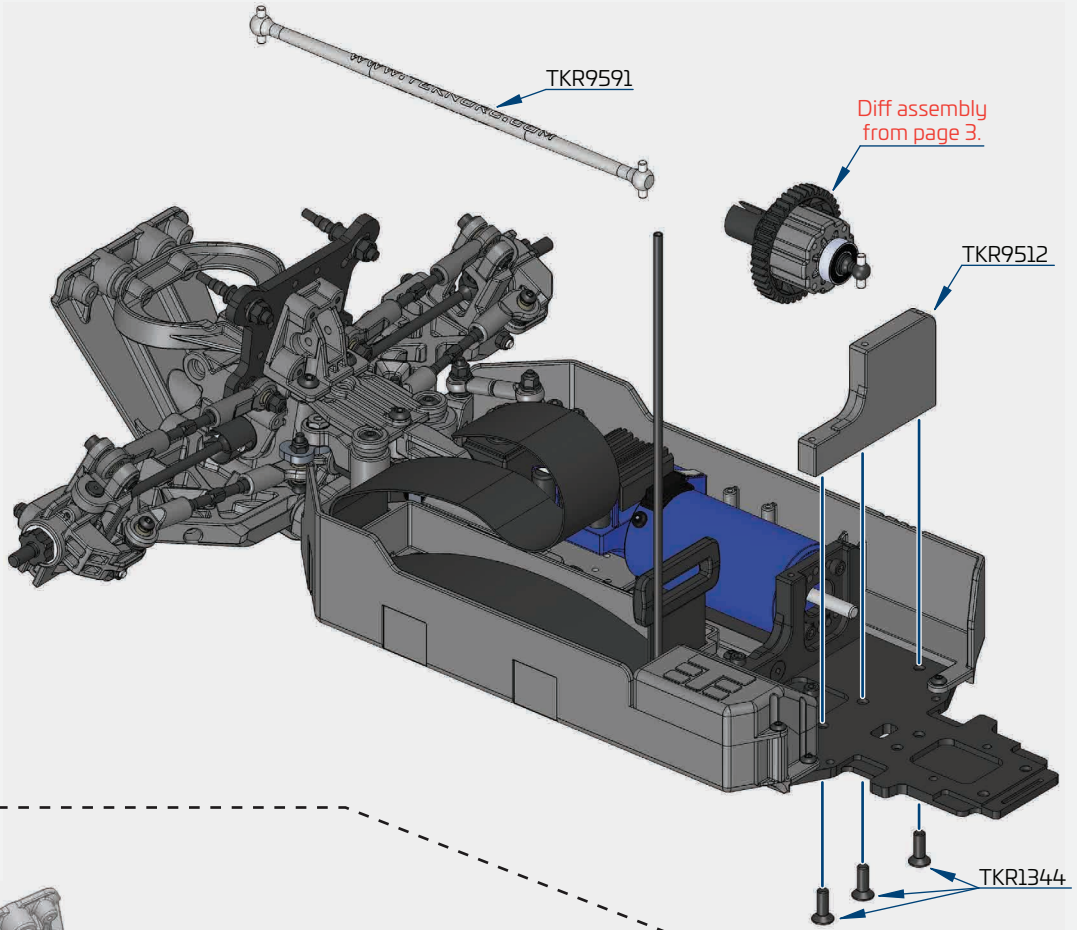


Note: Using TKR1240 screw that was previously installed in a prior step. Use caution to avoid pushing it out of place.

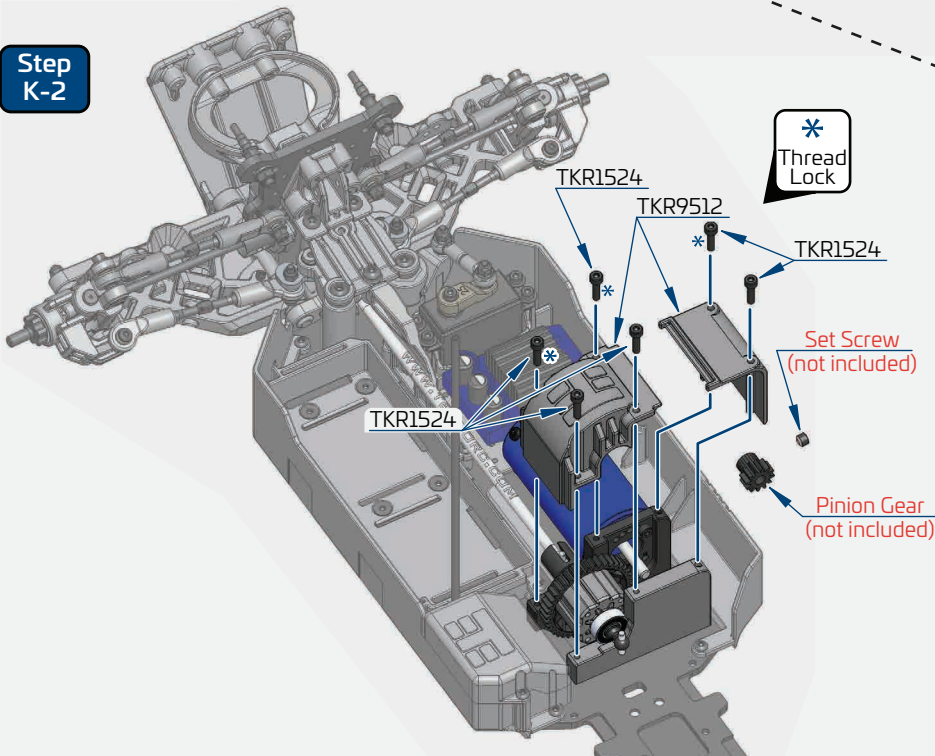
Bag K

Center Diff/ Rear End

Step
K-1



Step
K-2



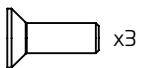
*
Thread
Lock

Set Screw
(not included)

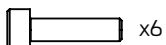
Pinion Gear
(not included)

TKR9586 - Optional Center Brace

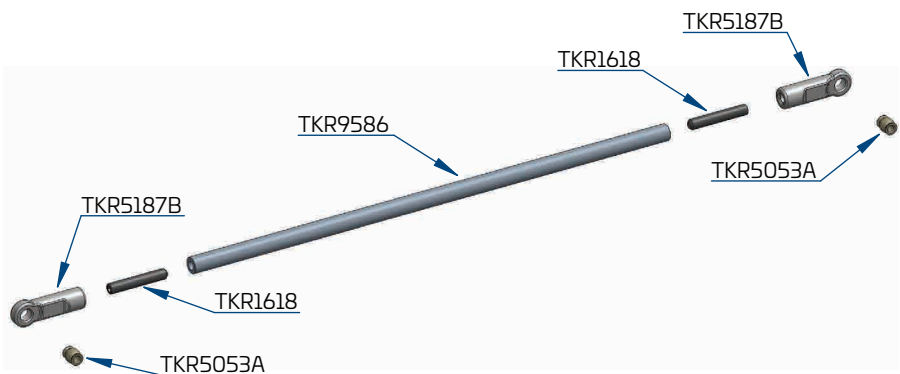
(all parts can also be purchased separately)



x3
TKR1344
M4x12mm Flat Head Screw



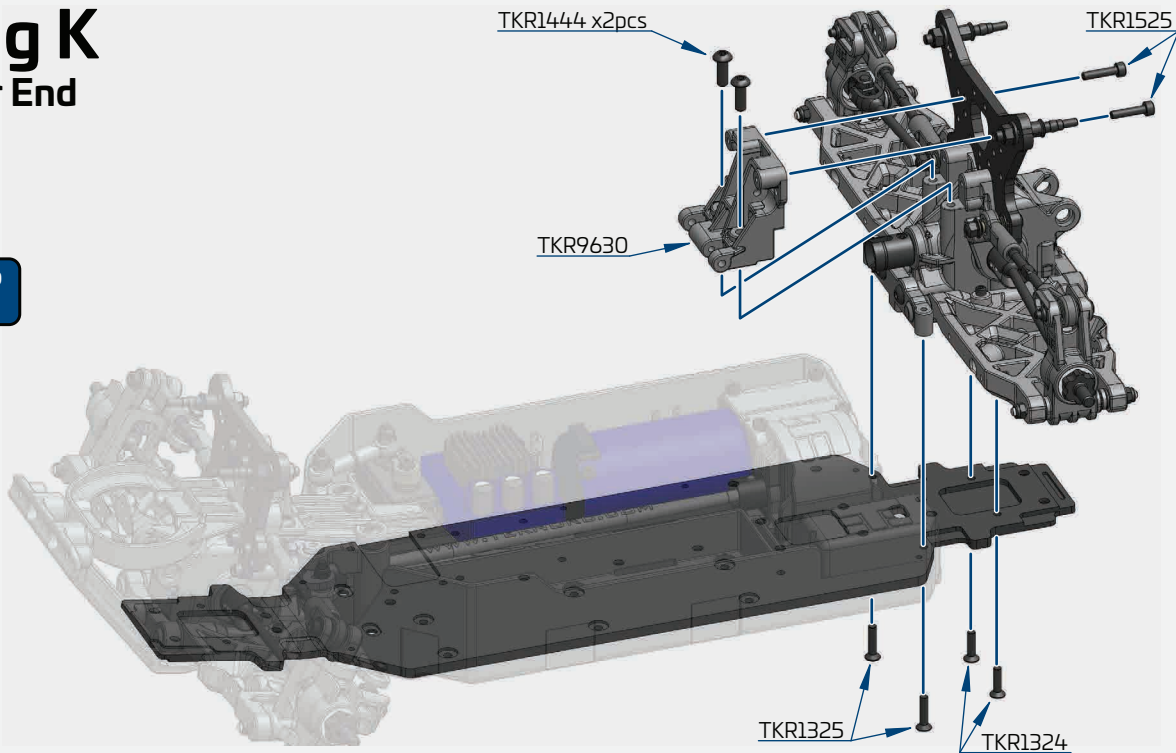
x6
TKR1524
M3x12mm Cap Head Screw



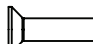
Bag K

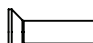
Rear End

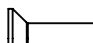
Step
K-3




Step
K-4


 x2
TKR1324
M3x12mm Flat Head Screw

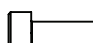
 x2
TKR1325
M3x14mm Flat Head Screw

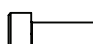
 x2
TKR1346
M4x15mm Flat Head Screw

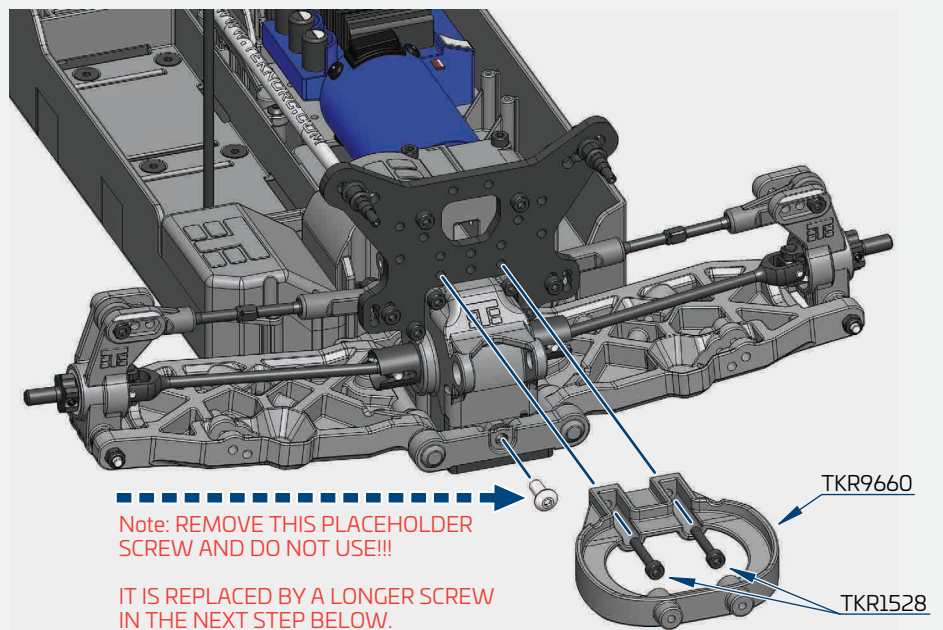
 x2
TKR1350
M4x25mm Flat Head Screw

 x2
TKR1444
M4x12mm Button Head Screw

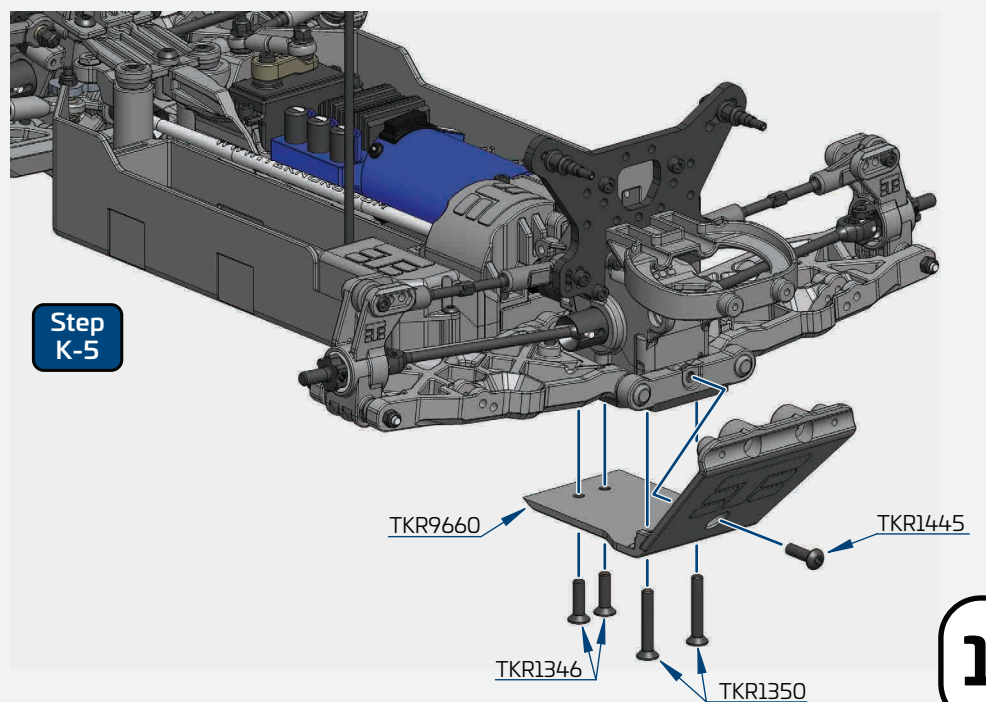
 x1
TKR1445
M4x14mm Button Head Screw

 x2
TKR1525
M3x14mm Cap Head Screw

 x2
TKR1528
M3x18mm Cap Head Screw

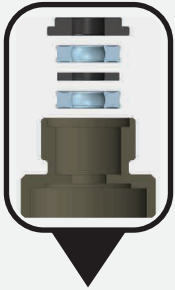


Step
K-5

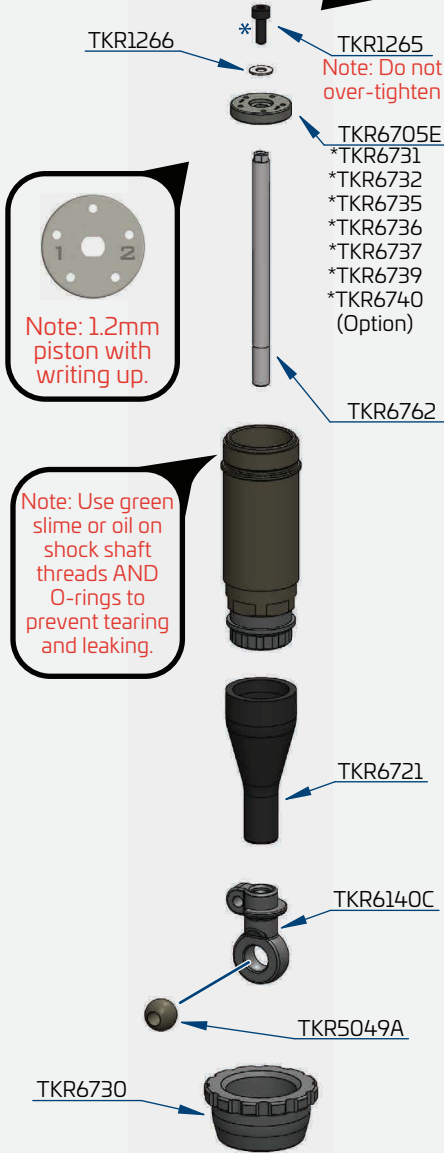


Bag L Front Shock Assembly

Step L-1

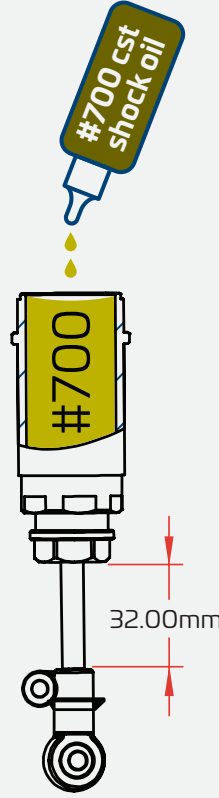


Step L-2



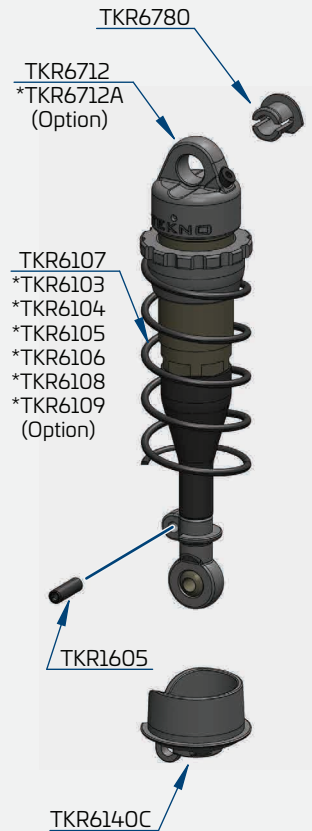
Step L-3

Refer to filling instructions on page 21 during this step.



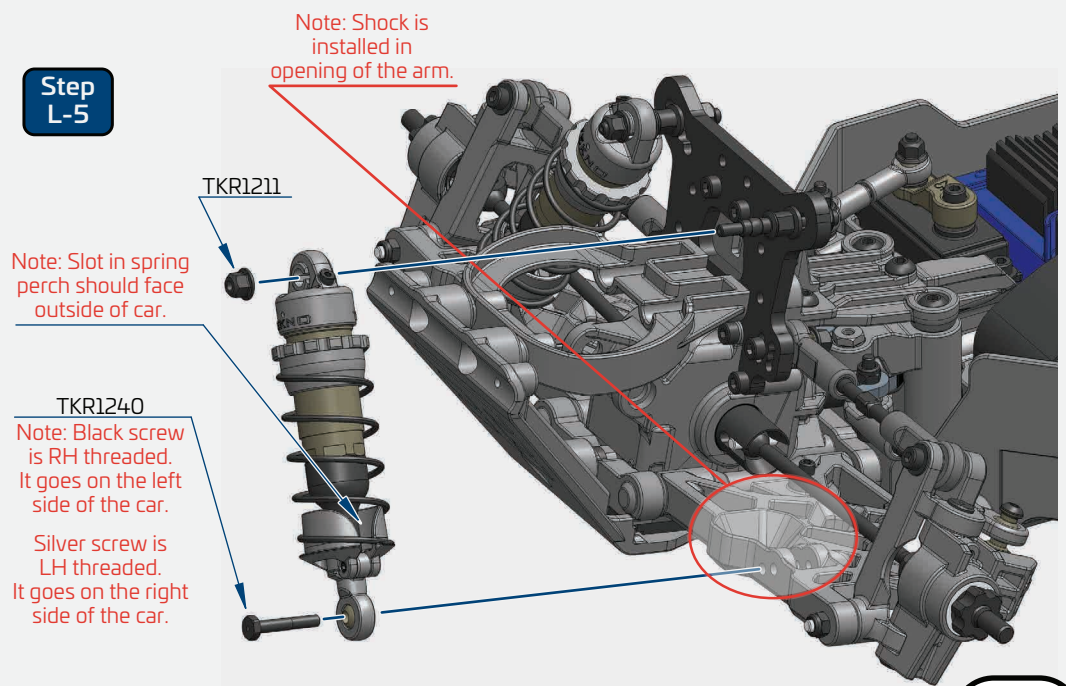
Note: Screw rod end on until distance measures 32mm at full extension.

Step L-4



- x2
TKR1211
M3 Lock Nut Flange Black
- x2
TKR1240
M3x18mm Shock Mnt Screw
- x2
TKR1248
M2x4mm Emulsion Screw
- x2
TKR1265
M2x6mm Emulsion Screw
- x2
TKR1266
M2.5x5x.5mm Washer
- x2
TKR1605
M3x10mm Set Screw

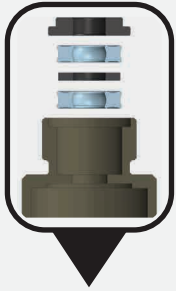
Step L-5



- Stock shock position is second front inside hole on the tower and inside hole on the arm (2/B)
- Shock length (droop) is 98mm
- Stock front ride height is 24mm

Bag M Rear Shock Assembly

Step M-1

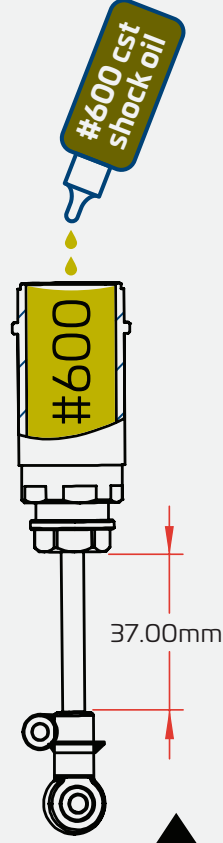


Step M-2



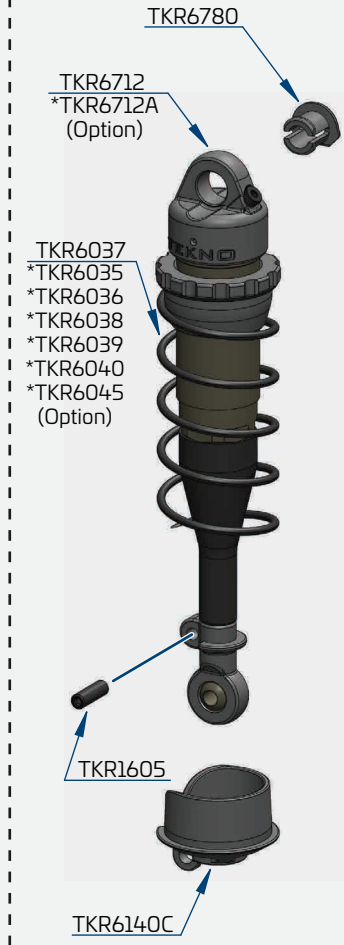
Step M-3







Refer to filling instructions and oil recommendation on page 21 during this step.



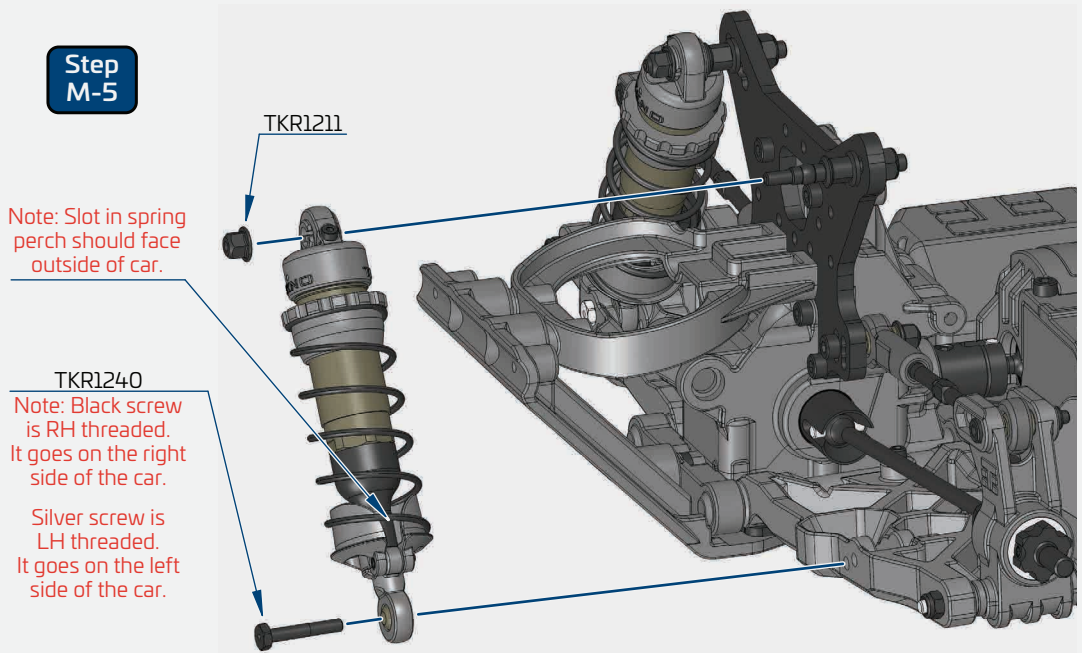
Note: Screw rod end on until distance measures 37mm at full extension.

Step M-4



-  x2
TKR1211
M3 Lock Nut Flange Black
-  x2
TKR1240
M3x18mm Shock Mnt Screw
-  x2
TKR1248
M2x4mm Emulsion Screw
-  x2
TKR1265
M2x6mm Emulsion Screw
-  x2
TKR1266
M2.5x5x.5mm Washer
-  x2
TKR1605
M3x10mm Set Screw

Step M-5



- Stock shock position is second from inside hole on the tower and inside hole on the arm.
- Shock length (droop) is 108mm
- Stock rear ride height is 24mm

Shock Filling Instructions

For both front and rear shocks

We've found it's easiest to complete steps 1 & 2 on each shock before moving on to step 3. By the time you've finished step 2 on the last shock, the first one will be ready for step 3.

Step 1. Start by drilling out the emulsion hole if necessary. Use a 1/16th (or 1.6mm) drill bit to drill all the way through and clear any flashing created by this. Insert the four larger o-rings into the emulsion caps and set aside. Install the small o-rings onto the small emulsion screws (TKR1248).

Step 2. Fill shock with oil all the way to the top and pump the shock shaft up and down 3-5 times.

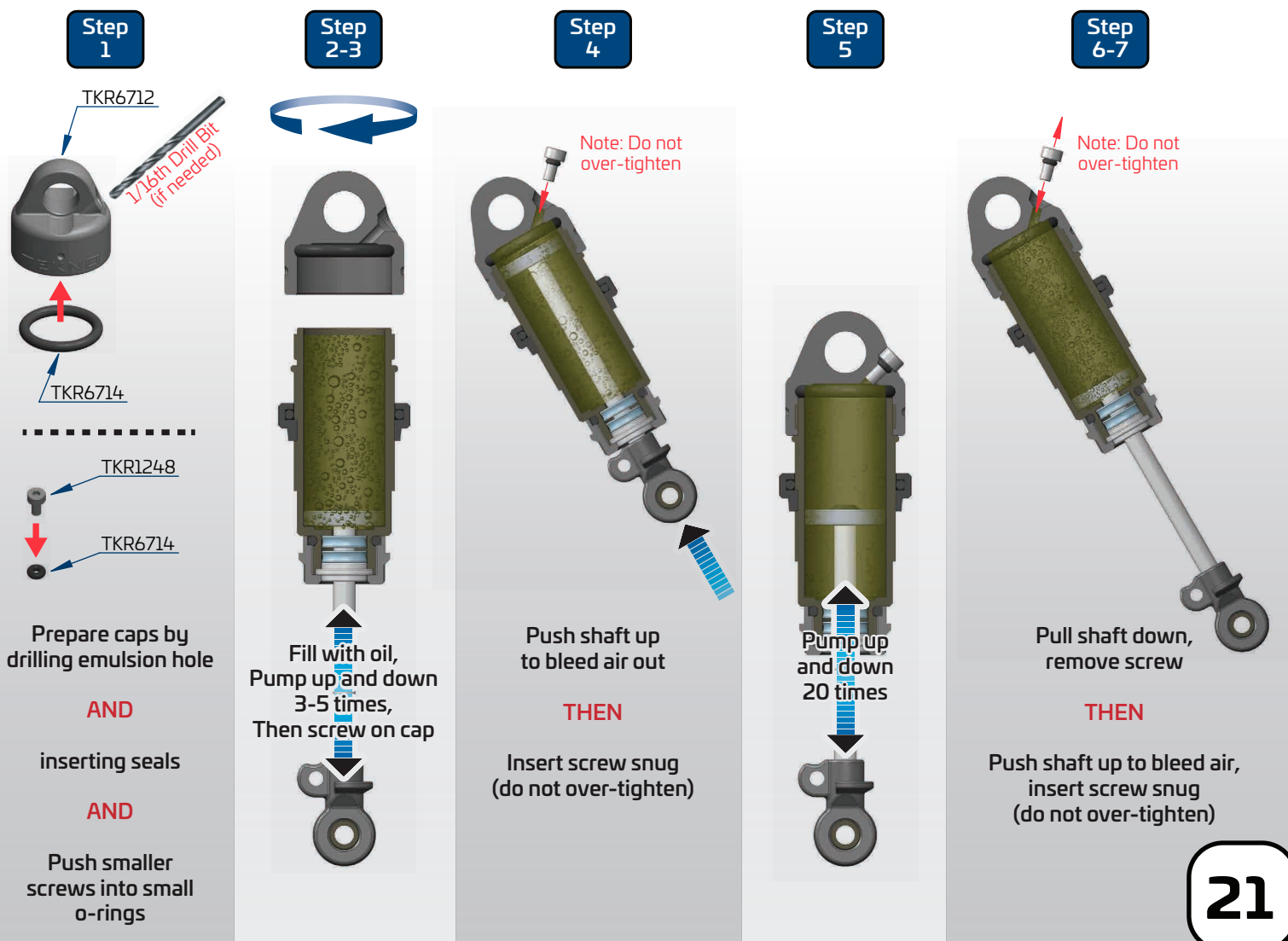
Step 3. Screw on the cap all the way tight (shock tool TKR1115 is helpful for holding the shock body). Be careful to not cross-thread the caps. Start by turning in the opposite direction before tightening.

Step 4. With the shock at about a 45° angle, push and hold the shock shaft to the top of the stroke. Oil should leak out during this process. If it does not, remove the shock cap and add more oil before continuing. Insert the prepared emulsion screw/seal. Tighten the screw until snug (do not over-tighten). Wipe off excess oil before moving on to step 5.

Step 5. Pump the shock shaft up and down about 20 times vigorously. This emulsifies the oil.

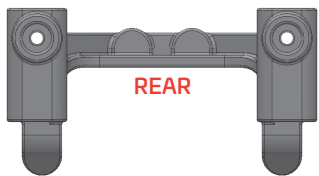
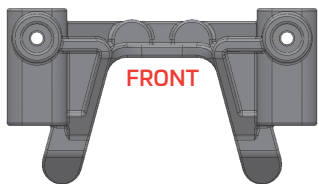
Step 6. With the shock shaft fully extended, remove the emulsion screw from the cap to do the final bleed.

Step 7. With the shock at about a 45° angle, push and hold the shock shaft to the top and insert the prepared emulsion screw/seal again. Oil will leak out during this process. Finish by tightening the screw until snug (do not over-tighten).



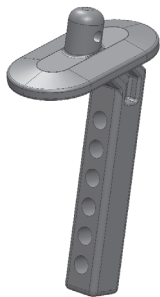
Bag N Body Mounts

Front/Rear Body Mounts

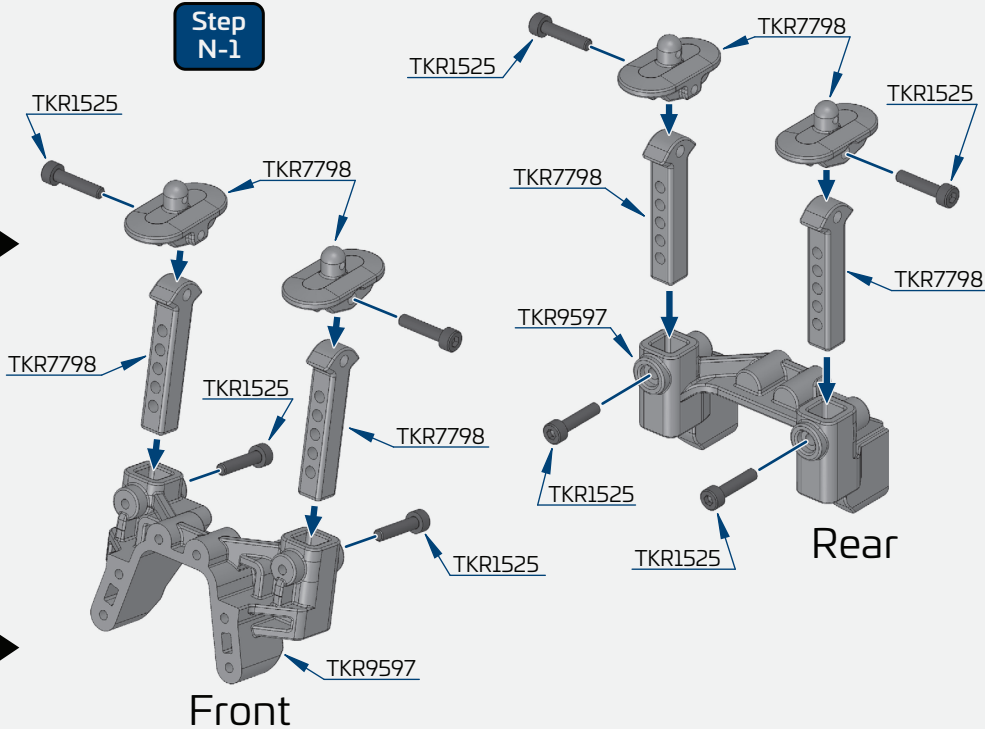


Front/Rear Body Posts

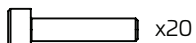
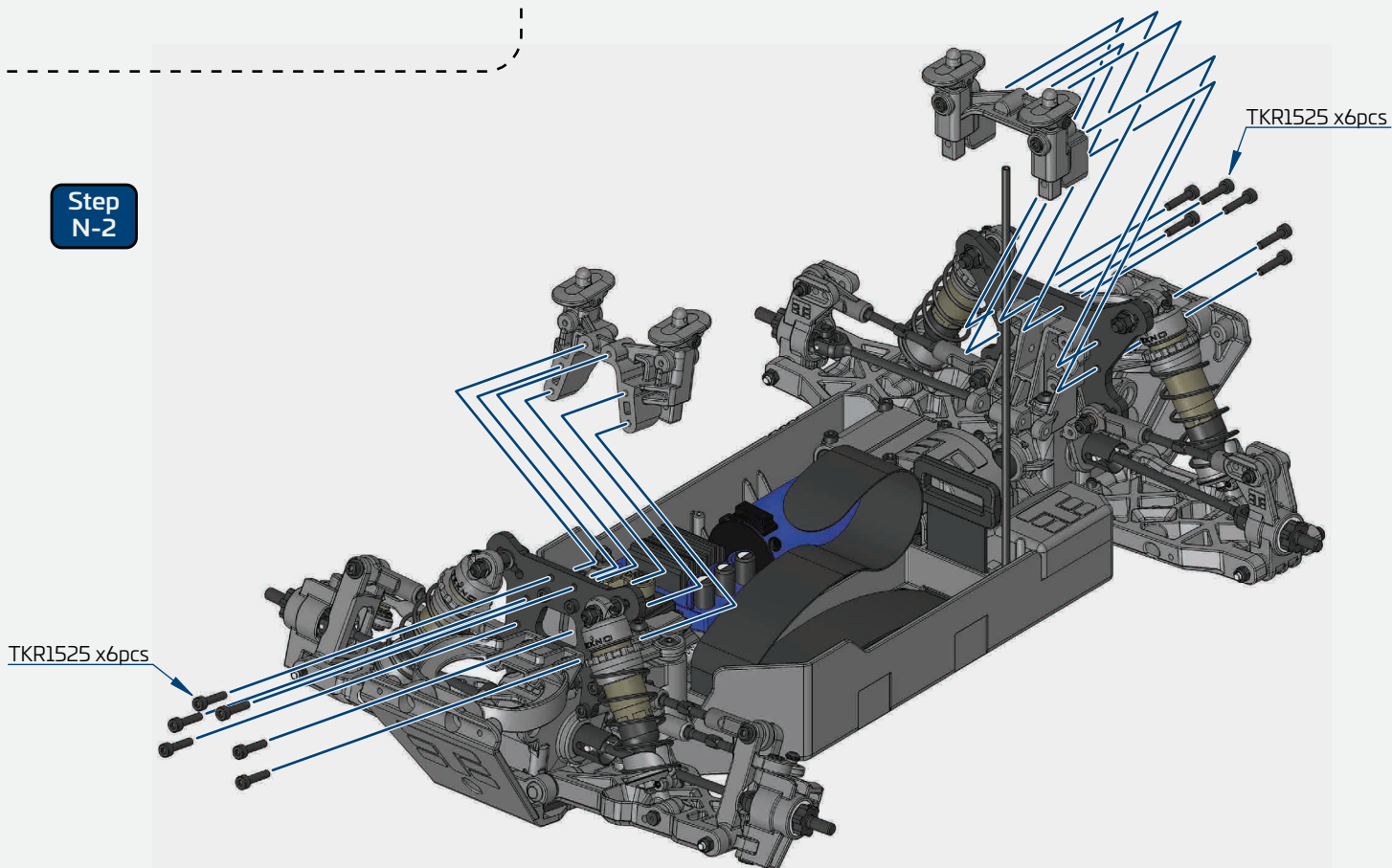
Note: You can use optional offset body mount posts, TKR5791 used in our SCT410.3 to adjust for various bodies and hole configurations. These will allow for more adjustment front to back, and may help with fitment to irregular body shapes. *These are sold separately.



Step N-1



Step N-2

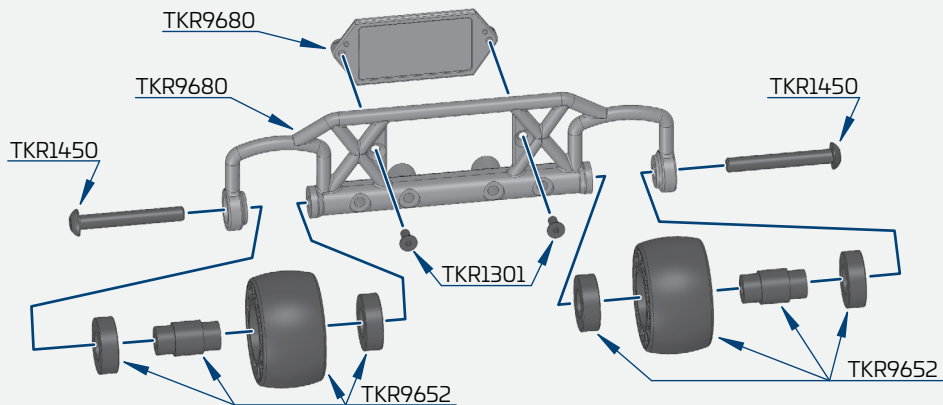


TKR1525
M3x14mm Cap Head Screw

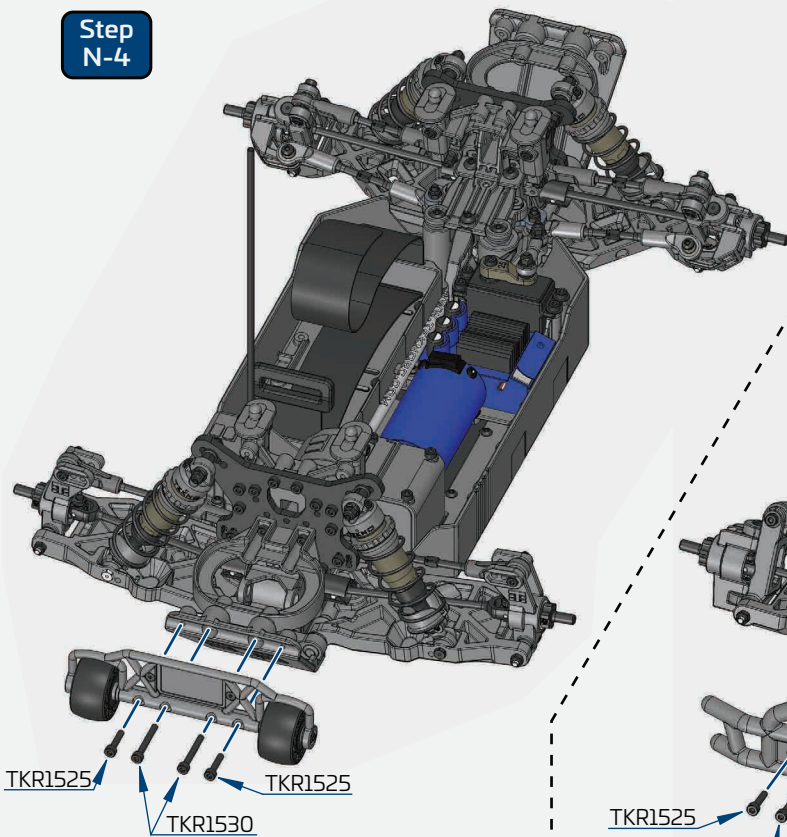
Bag N

Final Assembly

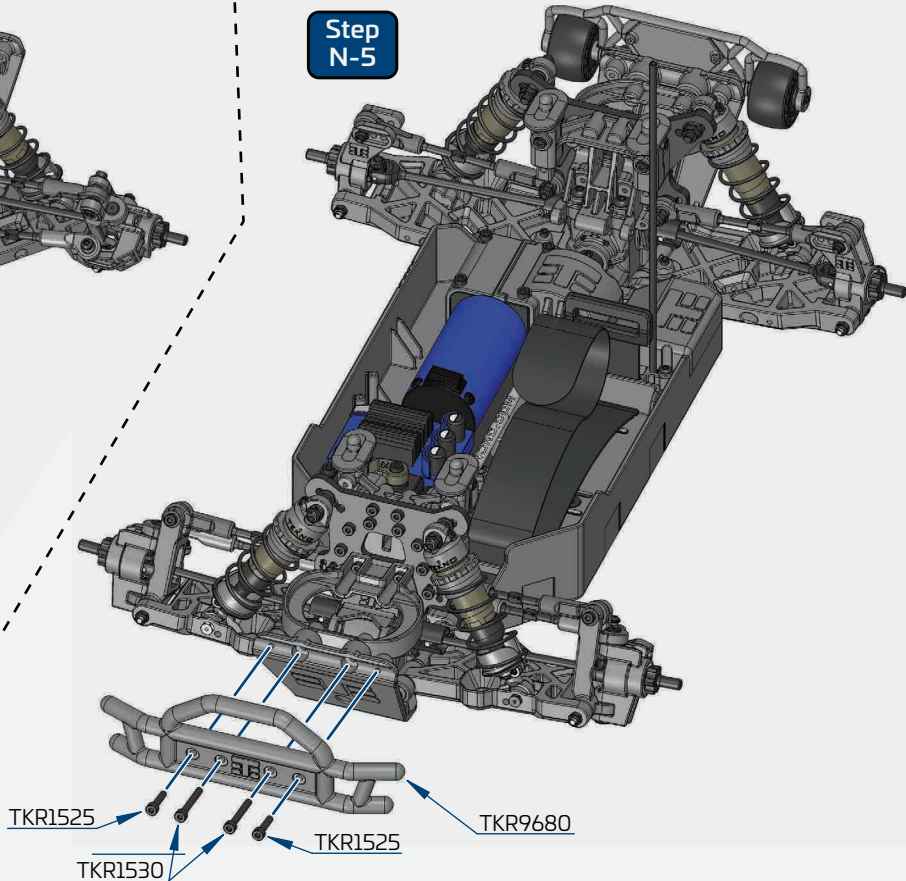
Step N-3




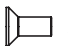
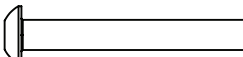
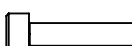
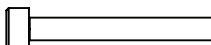
Step N-4

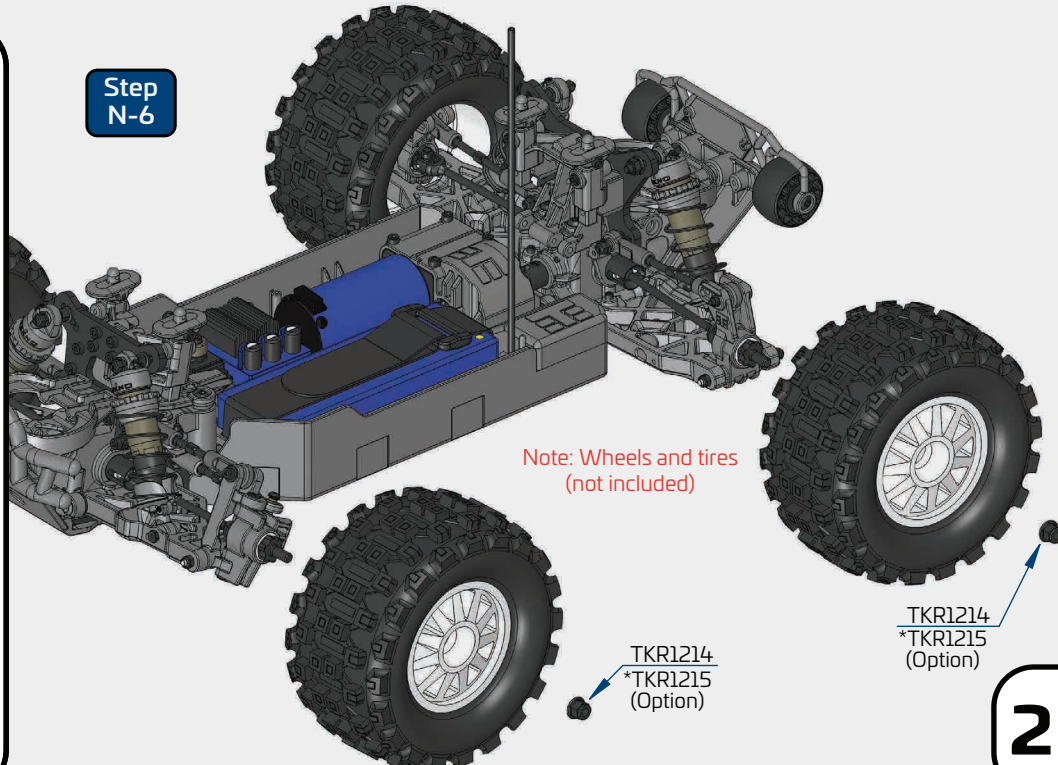


Step N-5



Step N-6

-  x4
TKR1214
M5 Lock Nut Flange
-  x2
TKR1301
M2.5x6mm Flat Head Screw
-  x2
TKR1450
M4x30mm Button Head Screw
-  x4
TKR1525
M3x14mm Cap Head Screw
-  x4
TKR1530
M3x25mm Cap Head Screw



Note: Wheels and tires (not included)

OPTIONAL SWAY BAR MOUNTING

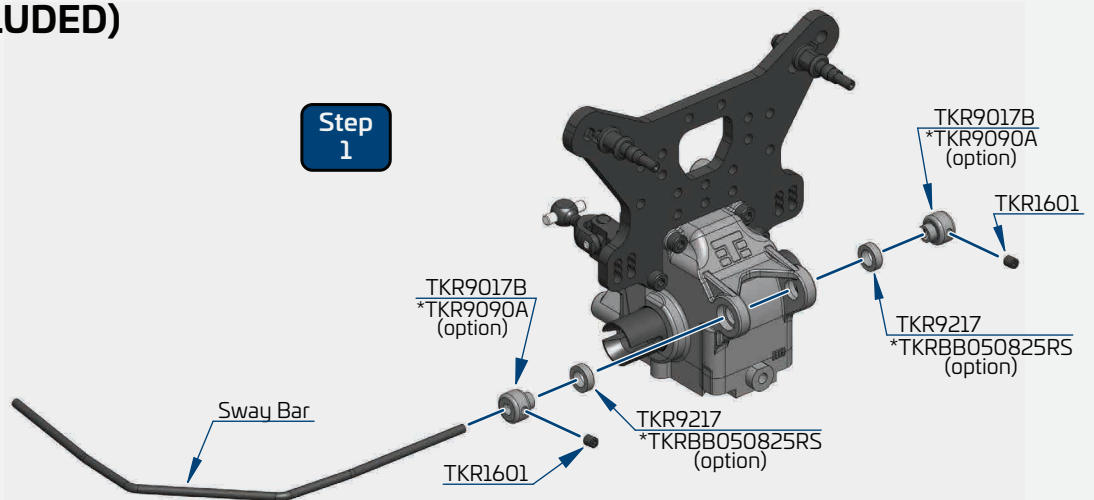
Front/Rear (NOT INCLUDED)

Optional FRONT Sway Bars
(sold separately)

- *TKR9577 - 2.1mm
- *TKR9577 - 2.2mm
- *TKR9577 - 2.3mm
- *TKR9577 - 2.4mm
- *TKR9577 - 2.5mm
- *TKR9578 - 2.6mm
- *TKR9578 - 2.7mm
- *TKR9578 - 2.8mm
- *TKR9578 - 2.9mm
- *TKR9578 - 3.0mm

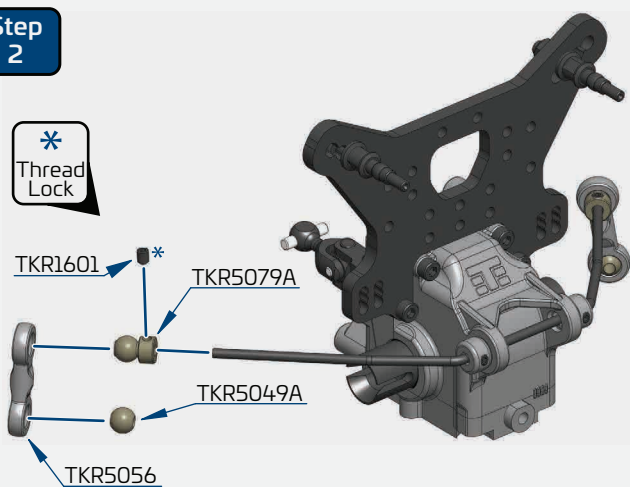
Optional REAR Sway Bars
(sold separately)

- *TKR9593 - 2.1mm
- *TKR9593 - 2.2mm
- *TKR9593 - 2.3mm
- *TKR9593 - 2.4mm
- *TKR9593 - 2.5mm
- *TKR9594 - 2.6mm
- *TKR9594 - 2.7mm
- *TKR9594 - 2.8mm
- *TKR9594 - 2.9mm
- *TKR9594 - 3.0mm



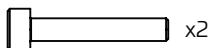
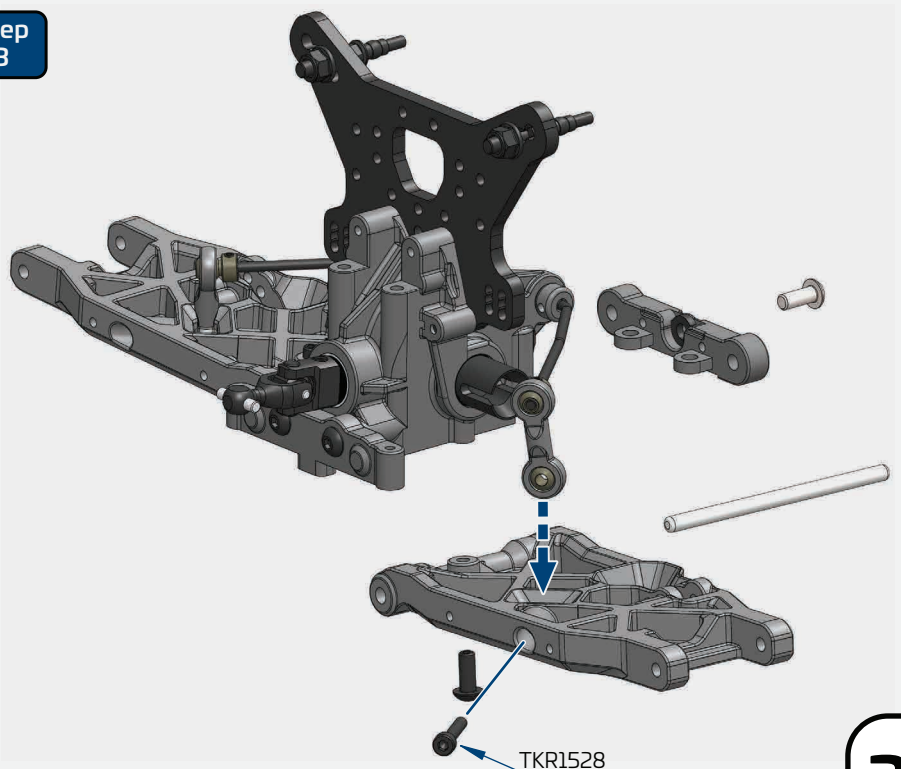
Step 2

*
Thread
Lock



Note: Repeat this step for the other side.

Step 3



TKR1528
M3x18mm Cap Head Screw



TKR1601
M3x4mm Set Screw

Note: Repeat this step for the other side.

TKR9501 - MT410 2.0 1/10th Electric 4x4 Pro Monster Truck Kit

Parts List

TKR5049A - Pivot Balls (6.8mm, no flng, sway bar, shck ends, almm, 4pcs)
TKR5053A - Pivot Balls (6.8mm, flanged, outside camber, aluminum, 4pcs)
TKR5056 - Rod Ends (brake/steering/sway bay linkage, 16pcs)
TKR5058A - Pivot Balls (5.8mm, no flange, brake/steering link, aluminum, 4pcs)
TKR5075HD - Diff Coupler (HD, hardened steel)
TKR5079A - Stabilizer Balls (6.8mm, sway bars, aluminum, 4pcs)
TKR5101X - Servo Saver Spring (HD, EB48, SCT410, NB48)
TKR5103 - Servo Saver Post (aluminum, gun metal ano)
TKR5126 - Antenna tube (universal, w/ caps, 5pcs)
TKR5188B - Rod Ends (hard, 6.8mm, M4 thread, SCT/SL, 8pcs)
TKR5230 - Steering Linkage (M3x18mm threaded rod, 10pcs)
TKR5231 - Servo Saver Nut and Spring
TKR5571M - Wheel Hexes (steel w/ set screw, lightened, 12mm, SCT410/SL)
TKR7798 - Body Post Set (swivel, 4pcs)
TKR8052A - Pivot Balls (6.8mm, camber, str links, almm, centered, 4pcs)
TKR9017 - Sway Bar and Bulkhead Acc (2.0)
TKR9020 - Hinge Pins (inner, front/rear)
TKR9062B - Chassis Brace Set (revised, front/rear/center, EB/ET48 2.0)
TKR9102A - Steering Posts (aluminum, gun metal ano)
TKR9217 - Gearbox (0mm offset, fits TKR5113/5113B diffs)
TKR9502 - Chassis (4mm, black ano, MT410 2.0)
TKR9511 - Motor Mount (CNC, 7075, MT410 2.0)
TKR9512 - Center Differential Mount and Cover (MT/SCT410 2.0)
TKR9514 - Battery Strap (1x center, for standard 2s or shorty 4s packs, all 2.0)
TKR9515 - Suspension Arms (rear, MT/SCT410 2.0)
TKR9516 - Suspension Arms (front, MT/SCT410 2.0)
TKR9517 - Bell Cranks and Top Plates (MT/SCT410 2.0)
TKR9521 - Ackerman Plate (7075, MT/SCT410 2.0)
TKR9523 - Turnbuckle (M4 thread, 55mm length, 4mm adjustment, 2pcs)
TKR9524L - Mud Guard, Battery Tray, RX Box (left, MT410 2.0)
TKR9524R - Mud Guard, Servo Mount (right, MT410 2.0)
TKR9527 - ESC Tray, Radio Box Top (MT/SCT410 2.0)
TKR9534 - Hinge Pins (outer, F/R, MT/SCT410, 2pcs)
TKR9541 - Spindles (L/R, MT/SCT410 2.0)
TKR9542 - Spindle Carriers (L/R, MT/SCT410 2.0)
TKR9543 - Spindle Pin Set (short/long, MT/SCT410 2.0)
TKR9545 - Rear Hubs (L/R, MT/SCT410 2.0)
TKR9547 - Decal Sheet (MT410 2.0)
TKR9550 - Turnbuckle (M4 thread, 65mm length, 4mm adjustment, 2pcs)
TKR9553M - Metal Servo Horn (25T spline)
TKR9561 - Hinge Pin Brace Set (steel/composite, A/B/C/D, MT/SCT410 2.0)
TKR9568 - Shock Tower (front, 7075, black ano, MT/SCT410 2.0)
TKR9569 - Shock Tower (rear, 7075, black ano, MT/SCT410 2.0)
TKR9587 - Universal Driveshaft Set (f/r, 87mm, MT/SCT410 2.0, 2 pcs)
TKR9591 - Tapered Driveshaft (center, front, 7075, GM ano, MT410 2.0)
TKR9597 - Body Mount Base Set (MT410 2.0)
TKR9630 - Tower Brace Set (F/R, MT/SCT410 2.0)
TKR9652 - Wheelie Bar Wheel Set (MT410 2.0)
TKR9660 - Skid Plate and Bumper Cushion (F/R, MT/SCT410 2.0)
TKR9680 - Bumper Bar Set (F/R, MT/SCT410 2.0)

Bearings List

TKRBB050825RS - Ball Bearing (5x8x2.5mm, rubber shielded, 4pcs)
TKRBB05114 - Ball Bearing (5x11x4, 4pcs)
TKRBB05145 - Ball Bearing (5x14x5, shielded, 4pcs)
TKRBB06103 - Ball Bearing (6x10x3, 4pcs)
TKRBB06135F - Ball Bearing (6x13x5, flanged, shielded, 4pcs)
TKRBB08165 - Ball Bearing (8x16x5, 4pcs)

Shocks List

TKR6140C - Locking Shock Rod End and Spring Perch Set
TKR6705E - Shock Piston Set (5x1.1, 5x1.2, flat/flat, 13mm, 4pcs)
TKR6709 - Shock X-rings (8pcs, EB410)
TKR6712 - Shock/Cartridge Cap & Bushing Set (4pcs each, EB410)
TKR6714 - Emulsion O-ring Set (4x cap seals, 8x emulsion o-rings, for 13mm shocks)
TKR6721 - Shock Boots (medium, for 13mm shocks, 2pcs)
TKR6722 - Shock Boots (long, for 13mm shocks, 2pcs)
TKR6730 - Shock Adjustment Collar and Guide Set (for 16mm springs, 13mm shocks)
TKR6750 - Shock Body (44.5mm, aluminum, hard ano, 2pcs)
TKR6756 - Shock Body (rear, aluminum, hard ano, ET410, 2pcs)
TKR6762 - Shock Shafts (3.5mm OD, 52mm long, 3.5mm thread, 2pcs)
TKR6763 - Shock Shafts (3.5mm OD, 57mm long, 3.5mm thread, 2pcs)
TKR6780 - Shock Cap Bushings (requires TKR6527B, EB/ET410, 4pcs)
TKR8727 - Shock Standoffs (2pcs, requires TKR8730)

Differential List

TKR5113B - Differential Case (f/c/r, composite, fits TKR5150/B, 3pcs)
TKR5143 - Differential Seals (3pcs)
TKR5144B - Differential O-Rings (6pcs)
TKR5145B - Differential Shims (revised, 6x17mm, 6pcs)
TKR5149X - Differential Cross Pins (composite, for 3 complete diffs)
TKR5150B - Differential Gear Set (18/9T, for TKR5113/B, internal gears only)
TKR5153M - Diff Pinion (10t, F/R, use with TKR5154M)
TKR5154M - Differential Ring Gear (40t, F/R, fits TKR5113/5113B, use with TKR5153M)
TKR9114HD - Differential Outdrives (HD, F/C/R, EB/ET48, MT/SCT410 2.0, 2pcs)
TKR9520 - Differential Outdrive Dog Bone (center, MT410 2.0, 1pc)
TKR9532 - Spur Gear (41T, offset, composite, fits TKR5113/5113B)
TKR9575HD - Diff Coupler (rear, HD, hardened steel, MT410 2.0)

Hardware List

TKR1201 - M3 Locknuts (black, 10pcs)
TKR1211 - M3 Locknuts (flanged, black, 10pcs)
TKR1212 - M4 Locknuts (flanged, black, serrated, 10pcs)
TKR1221 - M3x8mm Washer (black, 10pcs)
TKR1222 - 13x16x1mm Diff Shims (10pcs)
TKR1226 - 5x7x2mm shims (10pcs)
TKR1235 - Body Clips (10pcs)
TKR1238 - Droop Adjustment Screws (M4x10mm, 8pcs)
TKR1240 - Lower Shock Mount Screws
TKR1248 - M2x4mm Cap Head Screws (black, 10pcs)
TKR1265 - M2x6mm Cap Head Screws (black, 10pcs)
TKR1266 - M2x5.0x0.5mm Washer (black, 10pcs)
TKR1301 - M2.5x6mm Flat Head Screws (black, 10pcs)
TKR1323 - M3x10mm Flat Head Screws (black, 10pcs)
TKR1324 - M3x12mm Flat Head Screws (black, 10pcs)
TKR1325 - M3x14mm Flat Head Screws (black, 10pcs)
TKR1327 - M3x16mm Flat Head Screws (black, 10pcs)
TKR1341 - M4x6mm Flat Head Screws (black, 10pcs)
TKR1343 - M4x10mm Flat Head Screws (black, 10pcs)
TKR1344 - M4x12mm Flat Head Screws (black, 10pcs)
TKR1346 - M4x15mm Flat Head Screws (black, 10pcs)
TKR1350 - M4x25mm Flat Head Screws (black, 10pcs)
TKR1401 - M3x6mm Button Head Screws (black, 10pcs)
TKR1403 - M3x10mm Button Head Screws (black, 10pcs)
TKR1408 - M3x18mm Button Head Screws (black, 10pcs)
TKR1443 - M4x10mm Button Head Screws (black, 10pcs)
TKR1444 - M4x12mm Button Head Screws (black, 10pcs)
TKR1445 - M4x14mm Button Head Screws (black, 10pcs)
TKR1447 - M4x16mm Button Head Screws (black, 10pcs)
TKR1450 - M4x30mm Button Head Screws (black, 10pcs)
TKR1523 - M3x10mm Cap Head Screws (black, 10pcs)
TKR1524 - M3x12mm Cap Head Screws (black, 10pcs)
TKR1525 - M3x14mm Cap Head Screws (black, 10pcs)
TKR1528 - M3x18mm Cap Head Screws (black, 10pcs)
TKR1529 - M3x20mm Cap Head Screws (black, 10pcs)
TKR1530 - M3x25mm Cap Head Screws (black, 10pcs)
TKR1601 - M3x4mm Set Screws (black, 10pcs)
TKR1603 - M5x4mm Set Screws (black, 10pcs)
TKR1605 - M3x10mm Set Screws (black, 10pcs)
TKR1609 - M3x3mm Set Screws (black, 10pcs)
TKR1613 - M3x12mm Screw Pins (black, 10pcs)

Option Parts

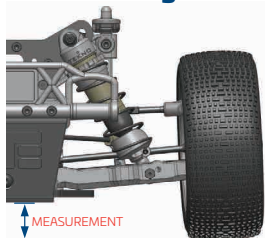
TKR1103 - Turnbuckle Wrench (4mm, 5mm, hardened steel)
TKR1107 - XT Nut Driver (5.0mm, adjustable length, 4mm shank)
TKR1108 - XT Nut Driver (5.5mm, adjustable length, 4mm shank)
TKR1115 - Pivot Ball and Shock Multi-tool (aluminum)
TKR1116 - 17mm Wheel Wrench, Shock Cap Tool
TKR1119 - 5.5mm / 7.0mm Wrench (hardened steel)
TKR4172 - M5 Pinion Gear (12t, MOD1, 5mm bore, M5 set screw)
TKR4173 - M5 Pinion Gear (13t, MOD1, 5mm bore, M5 set screw)
TKR4174 - M5 Pinion Gear (14t, MOD1, 5mm bore, M5 set screw)
TKR4175 - M5 Pinion Gear (15t, MOD1, 5mm bore, M5 set screw)
TKR4176 - M5 Pinion Gear (16t, MOD1, 5mm bore, M5 set screw)
TKR5113S - Differential Case (f/c/r, hardened steel, ET48/MT410)
TKR5114XB - Differential Outdrives (front/rear, revised, lightened)
TKR5122 - Steering Rack Bushings (aluminum, gun metal ano, 2pcs)
TKR5145C - Differential Shims (keyed, 6x17mm, 6pcs)
TKR5149 - Differential Cross Pins (6pcs, requires TKR5150 gears)
TKR5149A - Differential Cross Pins (Aluminum, 6pcs, requires TKR5150 gears)
TKR5150 - Differential Gear Set (6pcs, requires TKR5149 pins)
TKR5151 - Differential Ring Gear (straight cut, CNC, 40t)
TKR5152 - Diff Pinion (straight cut, 10T, CNC)
TKR5253B - Aluminum Servo Horn (25t spline, M3 clamp, double hole arm)
TKR5571A - Wheel Hexes (12mm, clamping, aluminum, 4pcs)
TKR6708 - Shock Cartridge Guide Set (CNC, Delrin, 8pcs, EB410/ET410)
TKR6712A - Shock Caps (7075, emulsion, black ano, 2pcs)
TKR9019 - Battery Straps (1x center, 1x side, EB/ET48 2.0)
TKR9090A - Aluminum Sway Bar Collars (4pcs, EB/NB/ET/NT48 2.0)
TKR9114 - Differential Outdrives (F/R NB/NT48 2.0, F/C/R EB/ET48 2.0, 2pcs)
TKR9161B - Hinge Pin Brace (CNC, 7075, -1mm LRC, EB/NB48 2.1, A Block)
TKR9162B - Hinge Pin Brace (CNC, 7075, -1mm LRC, EB/NB48 2.1, B Block)
TKR9163B - Hinge Pin Brace Hinge Pin Brace (CNC, 7075, -1mm LRC, C Block)
TKR9163C - Hinge Pin Brace (CNC, 7075, -2mm LRC, EB/NB48 2.1, C Block)
TKR9164B - Hinge Pin Brace (CNC, 7075, -1mm LRC, EB/NB48 2.1, D Block)
TKR9164C - Hinge Pin Brace (CNC, 7075, -2mm LRC, EB/NB48 2.1, D Block)
TKR9568C - Shock Tower (front, carbon fiber, MT/SCT410 2.0)
TKR9569C - Shock Tower (rear, carbon fiber, MT/SCT410 2.0)
TKR9577 - Sway Bar Set (FRONT, 2.1, 2.2, 2.3, 2.4, 2.5, MT/SCT410 2.0)
TKR9578 - Sway Bar Set (FRONT, 2.6, 2.7, 2.8, 2.9, 3.0, MT/SCT410 2.0)
TKR9586 - Chassis/Shock Tower Brace (MT410 2.0)
TKR9593 - Sway Bar Set (REAR, 2.1, 2.2, 2.3, 2.4, 2.5, MT/SCT410 2.0)
TKR9594 - Sway Bar Set (REAR, 2.6, 2.7, 2.8, 2.9, 3.0, MT/SCT410 2.0)

Setup Information

The purpose of making adjustments is to make the car go faster around the track, or to make it more controllable, or both if possible. A car that's easier to drive should produce lower, more consistent lap times. It will also inspire more confidence in the driver, which is always good when nerves start getting the best of you.

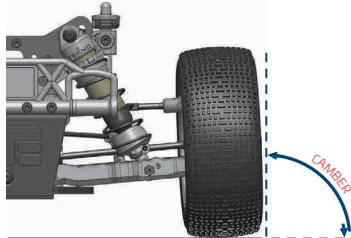
Before you start thinking about changing your car's setup, consider these two things: First, is the car in perfect working order? Be sure that all of the suspension components operate freely without excessive play, and that the car isn't tweaked. Binding and worn out parts will result in poor performance and inconsistent handling. Second, always consider tires before making other adjustments. Time spent trying to get the vehicle to work with the wrong tires mounted will be wasted time. Without the right tires, even a great setup won't be a winning setup.

Ride Height



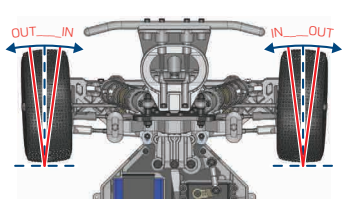
Ride height is the distance from the bottom of the chassis to the running surface. Ride height should only be checked and adjusted when your vehicle is ready to run (i.e. with battery installed/body on). Ride height is the first adjustment to be made and should be set with a ride height measurement tool. Measurements should be taken from the flat parts of the chassis, front and rear. Be sure to measure the front ride height at a point before the kick up in the chassis starts. To measure ride height, first make sure the suspension is completely free, then simultaneously compress the front and rear all the way down and let the vehicle settle. Take your measurement from that position. Use the shock spring adjustment collars to raise or lower the ride height to your desired setting. A good starting point is to make the rear drive-shafts level and then adjust the front so that the chassis is level to the ground.

Camber



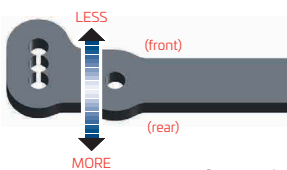
Static camber affects the car's side to side traction. More negative camber front and rear quickens rotation in corners. Less negative camber will make the vehicle easier to drive but you may give up some responsiveness (i.e. steering). To set your static camber have your vehicle at ride height (see above) and adjust the camber links until desired angle is achieved. Please note that a large adjustment of front camber will affect front toe and you may have to readjust the toe and then re-check front camber again. A good starting measurement for camber is 1-2 degrees in the front and 1.5-2.5 degrees in the rear.

Front Toe



Front toe is used to describe the angle in which the front wheels point when looking down at them from the top of a vehicle. You will always use some amount of toe out. Toe-out will affect how your vehicle enters and exits corners. More toe out will result in more off-power steering and less on-power steering and less toe out will have the opposite results. To set your front toe, have your vehicle at ride height (see above) and adjust the steering links until desired angle is achieved. Please note that a large adjustment of front toe will affect front camber and you may have to readjust the camber and then re-check front toe again. A good starting point is approximately 0.5-1 degree of toe out per side.

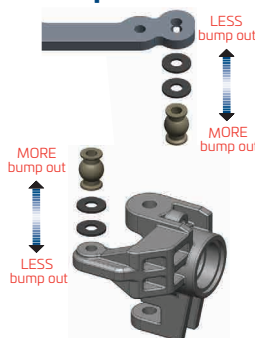
Ackermann Effect



Think of Ackermann as active toe when the steering moves from left to right. More Ackermann effect makes more toe out at full turn. Less Ackermann effect makes less toe out at full turn. More Ackermann will be smoother and have less overall steering. Less Ackermann will feel more direct and have more overall steering.

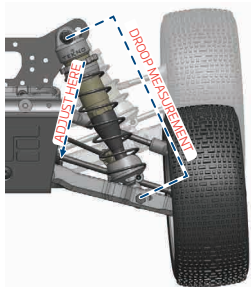
A good starting point is rearward on the Ackermann plate.

Bumpsteer



Think of bump steer as active toe when the suspension compresses or rebounds. To adjust bump steer you have to change the angle of the steering link. This is accomplished by adding or removing washers under the ball stud on the steering spindles. Anytime you change camber link locations, front arm pills, front arm spacers, or Ackermann you will need to check and possibly adjust your bumpsteer. It's best to start with zero bumpsteer or slight bump out.

Droop



Droop is the measured amount of down travel in the suspension. It is measured from the shock mounting points while the vehicle is up on a stand allowing the arms to hang freely and is adjusted by turning the droop screw located in the suspension arms front/rear. This screw limits the suspension travel by providing a stopping point against the chassis. Left and right sides should always be equal, however the front and rear of the vehicle can have different values. Droop affects all aspects of chassis performance, including braking, acceleration, jumping, traction, and bump handling. A good starting droop measurement is 98mm front, and 108mm rear.

C Block Screws

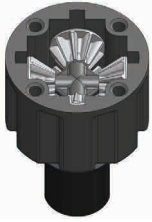


The C block now has the option to be screwed down to the chassis. This affects the torsional flex of the car as well as rear traction, both on and off power. With the screws in, there will be less torsional flex and more rear grip on power. With the screws out there will be more torsional flex and more rear grip off power. In almost all cases, running with the screws in provides better consistency and faster lap times.

Setup Information

(continued)

Differentials



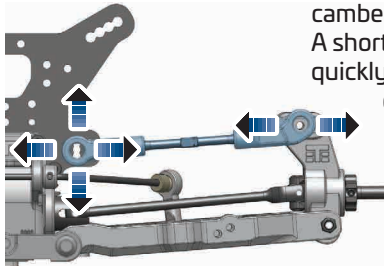
Front: Changing front diff oil affects overall steering response. Thinner can increase off-power steering but the vehicle may be twitchy and harder to drive. Thicker can increase on power steering and stability. We recommend 100k in the front diff.

Center: Changing center diff oil affects the front-to-rear drive balance. Thicker will reduce off-power steering and on-power rear traction but increases on-power steering and acceleration if traction is available. Thinner will increase off-power steering and on-power rear traction but reduce on-power steering and acceleration. We recommend 100k in the center diff.

Rear: Thinner rear diff oil increases off-power steering and reduces traction into a corner. It also reduces on-power steering and increases traction out of a corner. Going too thin will make your vehicle inconsistent, however. Thicker rear oil will have opposite effects, and once again, going too thick will make the vehicle inconsistent. We recommend 50k in the rear diff.

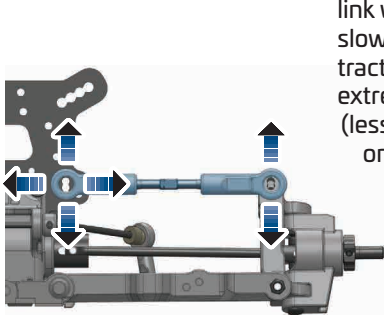
In addition to altering oils, there are other ways to affect differential action. First is by using different gear shims. TKR514-5B behaves like a normal shim and is included in the kit. It will have less resistance (compared to TKR514-5C) to both initial and continuous rotation. It will have a similar feel to thinner oil. This is beneficial on lower grip tracks. TKR514-5C is a static shim and will have more resistance to both initial and continuous rotation. It will have a similar feel to thicker oil. This is beneficial on higher grip tracks. This can also be good on tracks that are very rough and/or broken up and you want to maintain forward drive through bumpy sections. The second option is by using gears of a different pitch. TKR5150 is a finer pitch and TKR5150B is a coarser pitch gear. Finer pitch gears will have less resistance to continuous rotation. Being finer, the power delivery is smoother than the coarser pitch gears. The finer pitch will allow for a heavier weight oil to be used which will allow a thick but smooth low speed diff action without excessive differential action at high speeds and high loads. The coarser pitch will more resistance to continuous rotation. This means that it will resist "diffing out" or "diff unloading". Being coarser, the power delivery is not quite as smooth as the finer pitch gears. The coarser pitch will allow for a lighter weight oil to be used which will maintain low speed diff action without excessive differential action at high speeds and high loads. Third is by using different diff cases. TKR5113B will have similar characteristics of a static shim whereas TKR5113C will have the characteristics of the standard shim TKR514-5B. In addition, TKR5113C has a slightly greater volume so it should provide improved consistency over a long run.

Rear Camber Links



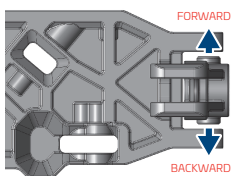
You can alter both the length and the angle of the rear camber link. When altering the length, a longer camber link will have more roll, more traction and forward drive, and will react slower to direction changes. A shorter link will have less roll and feel stiffer, have less traction and forward drive, and will react more quickly to direction changes. Link length also affects camber change throughout the suspension travel whereas shorter links will have more. Because of this it is typical to run slightly more static camber with long links and slightly less with short links to keep the camber in the ideal range for the suspension travel. When altering the link angle (less angle by going up on the tower or more angle by going down), less angle will have more roll, more grip in the turns, and react slower to direction changes. More angle will have less roll, will lose grip more suddenly, and react more quickly to direction changes.

Front Camber Links



You can alter both the length and the angle of the camber link. When altering the length, a longer camber link will be more stable into turns, feel softer, have more overall traction and forward drive, and will react slower to direction changes. A shorter link feel stiffer, be more aggressive into turns, have more initial traction but less overall traction, and will react more quickly to direction changes. Unless you are on an extremely tight track the longer front link is recommended in all conditions. When altering the link angle (less angle by going up on the tower/down on the carrier or more angle by going down on the tower/up on the carrier), going to less angle will have more roll, more overall grip in the turns, and reacts slower to direction changes. Going to more angle will have less roll, more initial grip, and react more quickly to direction changes. Link angle will also affect camber gain during compression. Less angled links will have less camber gain throughout the suspension travel whereas more angled links will have more. Because of this it is typical to run slightly more static camber with long links and slightly less with short links to keep the camber in the ideal range for the suspension travel.

Wheelbase Adjustments



Changes to wheelbase can affect the overall handling of your vehicle, since it adjusts the distribution of weight on the wheels as well as the angle of the driveshafts. Shortening the wheelbase at the rear will give you more steering into a turn and off power, less steering out of a turn and on power. Lengthening the wheelbase at the rear will yield the opposite results. In general a longer wheelbase is better on open and/or bumpy tracks and a shorter wheelbase is better on tighter technical tracks.

Springs



Softer springs will increase traction through the turns by allowing more roll, slow down the responsiveness of the vehicle, and can be better in the bumps. Stiffer springs will increase corner speed if traction is available and will also tend to jump and land better. Once you find a set of springs you like you will typically only change them for tracks with dramatically different conditions.

Pistons



Pistons with smaller holes work well for smoother tracks with large jumps and pistons with larger holes work well for rougher tracks with less jumps. Smaller hole pistons will typically use thinner oil than larger hole pistons. Shock oil is also affected by the ambient temperature so a change in viscosity might be necessary with a change of 5°C or ~10°F.

Sway Bars



Sway bars are used to adjust a vehicle's lateral grip by resisting chassis roll. A thicker bar decreases roll more than a thinner bar will. More roll means more grip and less roll means less grip. The front sway bar affects mainly off-power steering at corner entry. The rear sway bar affects mainly on-power steering and stability in mid-corner and at corner exit.

Maintenance:

Performing regular maintenance will greatly improve your on track consistency and also extend the life of your vehicle. Going through critical areas of the vehicle regularly will also allow you to find possible issues before they become a problem that may cost you a race. Follow the guidelines below for maximum performance.

Bearing Maintenance:

Bearings should always be smooth and free in order to perform their function. We recommend inspecting and cleaning each bearing on a regular basis. It will be necessary to break down parts of the vehicle in order to inspect them properly. The procedures below should be done every couple of weeks or prior to an important race.

1. Inspect the outer seals for any visible damage and check the rolling resistance of each bearing.
2. If any bearing does not spin freely, then take the following steps to clean them.
3. Spray the bearing with motor spray and spin it again to remove any debris trapped inside. Repeat if necessary. If the bearing does not start to spin freely after cleaning, then they may need to be replaced.
4. Allow the clean bearing to dry or blow into the bearing with compressed air to speed up the drying process.
5. Oil each bearing with a proper bearing lubricant. One or two drops is enough.

Shock Maintenance:

When comparing the left and right shocks of the front end, they should feel identical. Same goes for the rears. The procedures below should be done every race day to make sure they are leak free and operating correctly.

1. After removing the shocks from the vehicle, remove the springs and inspect each shock for visible leaks (build up of debris at the bottom of the shock shaft or visible oil).
2. If the shock binds when pushing the shaft through its stroke, then the shaft may be bent and will need to be replaced.
3. If the shocks from left to right do not feel consistent when compared to each other, or have built up too much air inside (feel empty when pushing the shaft through its stroke), then you will need to rebuild them following the steps outlined on page 19 of this manual.

Hinge Point & Drive Line Maintenance:

Checking the hinge points while the shocks are removed from the vehicle is the best time to inspect these parts. The other items to inspect are the camber links, steering links and drive shafts. Follow the steps below every couple of weeks in order to keep the vehicle performing at the maximum level.

1. With the shocks off the vehicle, check the movement of the arms, hubs, and spindle carriers. They should move freely. If there is a bind, then the inner or outer hinge pin may be bent and would need to be replaced. The arms should not have any play when twisted or moved in any direction against the hinge points. If there is excessive slop present, then the arms or hubs may be worn and will need to be replaced.
2. Remove the camber links, steering links and servo link from the vehicle. Check the movement of the spindles to see if they turn freely. If they don't, then check the kingpin shoulder screws to see if they are tightened down too far. Also, check for slop. If there is excessive slop present, then the spindle carriers may need to be replaced.
3. Check the steering rack to make sure it moves freely. If it binds, then the screws holding the Ackermann or the steering posts could be too tight. If they still bind, then check the bearings and follow the steps above to clean them.
4. After re-installing the camber links, steering links and servo link, check the movement of the rod ends on the ball studs. If they have excessive slop or are binding, then they may need to be replaced.
5. Check the drive shafts by rotating them. Look for any wobbles. If they are bent, replace them immediately.
6. With the drive shafts removed, check for slop in the CV area. If it is present, then reposition the CV pin to another fresh hole, re-lubricate and install back into the vehicle.

Differential Maintenance:

Properly maintained differentials are essential for a smooth operating vehicle. Check all three diffs regularly to make sure they are filled and operating as designed.

1. Remove each diff and verify the differential action is happening and is smooth. If there is any notchy feel to them, follow the steps below to rebuild them.
2. Open the diff and pour out the oil. Remove the gears and pins to release the outdrives, then remove the seals. Inspect everything to make sure there are no damaged parts. If the seals are old or show any signs of degradation, replace them immediately. Re-lubricate the seals and outdrives, then rebuild the diff following the steps on page 3 and 4.

Name: _____ Date: _____ Event: _____ Ambient Temp: _____

Track: INDOOR OUTDOOR Size: SMALL MEDIUM LARGE Traction: LOW MEDIUM HIGH

Surface: SMOOTH BUMPY RUTTED Type: LOOSE / LOAMY HARD PACKED BLUE GROOVE CLAY ASTRO

Ackerman/Bumpsteer/Servo Saver

Condition: DUSTY DRY WET MUDDY



WASHERS:



FULL TURNS FROM FULLY TIGHT

Front End:

Suspension:

RIDE HEIGHT: _____ CAMBER: _____

CASTER BLOCK: _____ SWEEP: _____

KICK UP: _____ TOE: _____

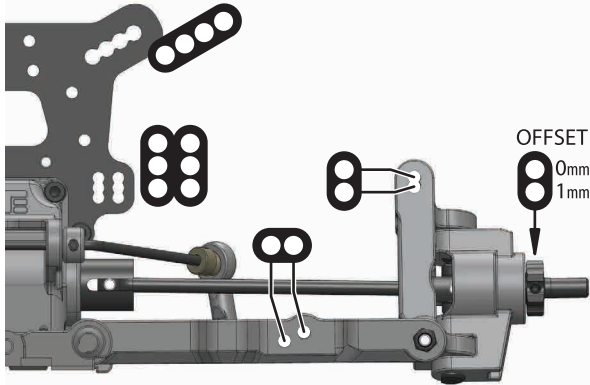
SWAY BAR: _____ DROOP: _____

Shocks:

OIL: _____ BRAND: _____

PISTON: _____ SPRING: _____

REBOUND: _____ BUILD: _____



Differentials:

OPTION	FRONT	CENTER	REAR
Diff Oil			
(TKR5145B)	<input type="radio"/>	<input type="radio"/>	<input type="radio"/>
(TKR5145C)	<input type="radio"/>	<input type="radio"/>	<input type="radio"/>
(TKR9114)	<input type="radio"/>	<input type="radio"/>	<input type="radio"/>
(TKR9114HD)	<input type="radio"/>	<input type="radio"/>	<input type="radio"/>
(TKR5114XB)	<input type="radio"/>	<input type="radio"/>	<input type="radio"/>
(TKR5150)	<input type="radio"/>	<input type="radio"/>	<input type="radio"/>
(TKR5150B)	<input type="radio"/>	<input type="radio"/>	<input type="radio"/>
(TKR5113B)	<input type="radio"/>	<input type="radio"/>	<input type="radio"/>
(TKR5113S)	<input type="radio"/>	<input type="radio"/>	<input type="radio"/>
(TKR5113)	<input type="radio"/>	<input type="radio"/>	<input type="radio"/>
(TKR5149X)	<input type="radio"/>	<input type="radio"/>	<input type="radio"/>
(TKR5149A)	<input type="radio"/>	<input type="radio"/>	<input type="radio"/>
(TKR5149)	<input type="radio"/>	<input type="radio"/>	<input type="radio"/>

Rear End:

Suspension:

RIDE HEIGHT: _____ CAMBER: _____

ANTI-SQUAT: _____ TOE: _____

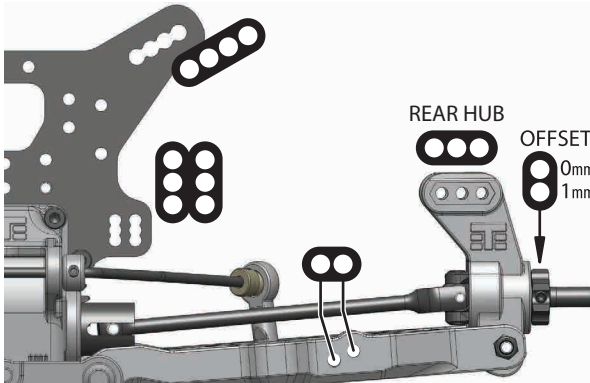
SWAY BAR: _____ DROOP: _____

Shocks:

OIL: _____ BRAND: _____

PISTON: _____ SPRING: _____

REBOUND: _____ BUILD: _____



Drivetrain:

PINION/SPUR: _____ / _____

Equipment:

ESC: _____

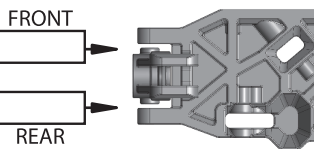
BATTERY: _____

MOTOR: _____

SERVO: _____

Notes: _____

Wheelbase:



(Shims)
Thick - 2mm
Thin - 1mm

Chassis Braces:

TURNBUCKLE BRACE: CENTER BRACE:

Tires / Wheels:

BRAND / TREAD: _____

COMPOUND: _____

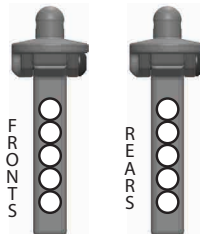
INSERT: _____

WHEEL: _____

NOTES: _____

Body/Body Mounts:

BODY MAKE: _____



Optional Hinge Pin Braces:

"A" Block:



TKR9161 (0mm)
TKR9161B (-1mm)

"B" Block:



TKR9162 (0mm)
TKR9162B (-1mm)

"C" Block:



TKR9163B (-1mm)
TKR9163C (-2mm)

"D" Block:



TKR9164B (-1mm)
TKR9164C (-2mm)

General Warranty Information

Parts covered by our general warranty have a 50% MSRP replacement cost if bent, broken, or even worn out. See below for items covered by this warranty. Once the part(s) along with the completed warranty form is received and warranty eligibility is verified, we will send you a coupon code via e-mail that brings your price for the exact same replacement part to 50% of MSRP from our website (shipping not included).

Items covered by warranty:

Only individual vehicle parts are covered. For example, kits, engines, engine parts, tools, apparel, banners, and canopies are not covered by the general warranty. Also, discontinued parts, parts that are no longer in production or are not for sale on this website are not covered by the general warranty.

Conditions:

- Shipping to Tekno RC or to you will not be included in the coupon. You will be responsible for shipping the part, along with the completed warranty form to the address listed below. You will also be responsible for the shipping cost of the replacement part.
- You **MUST** send the part(s) to the address listed below. Pictures of the part are not sufficient.
- A completed warranty form **MUST** be included with all parts sent.
- The discount cannot exceed 50% from MSRP. If you already receive a discount (Team/Military), you will receive a coupon that reduces your cost of the part to 50% of MSRP.
- Coupons are valid for 14 days from the date of creation. If you do not purchase a replacement within this time, the coupon offer and warranty are void.
- This offer is **ONLY** valid at www.teknorc.com.
- Please be sure all customs fees have been paid. Tekno RC will refuse receipt of a package with customs fees due.
- Terms and conditions may change at any time without notice. Warranty policy may change at any time without notice. All warranties are subject to review and may be refused or revoked at our sole discretion at any time without notice. If any conditions or instructions above are not met, the warranty will not be processed, and no notice is required from us that your warranty may not be processed.

USA Tekno RC
10755 Scripps Poway Pkwy #598
San Diego, CA 92131
U.S.A

INT Tekno RC Europe
PO Box 67259
Melissia, Athens 15102
Greece

Full Name:

Address:

City:

State:

Zip:

Country:

Email:

Phone:

Part #(s) in question:

Signature:

Date:



Tekno RC
10755 Scripps Poway Pkwy #598
San Diego CA 92131
USA

www.teknorc.com
info@teknorc.com

MT4102.0