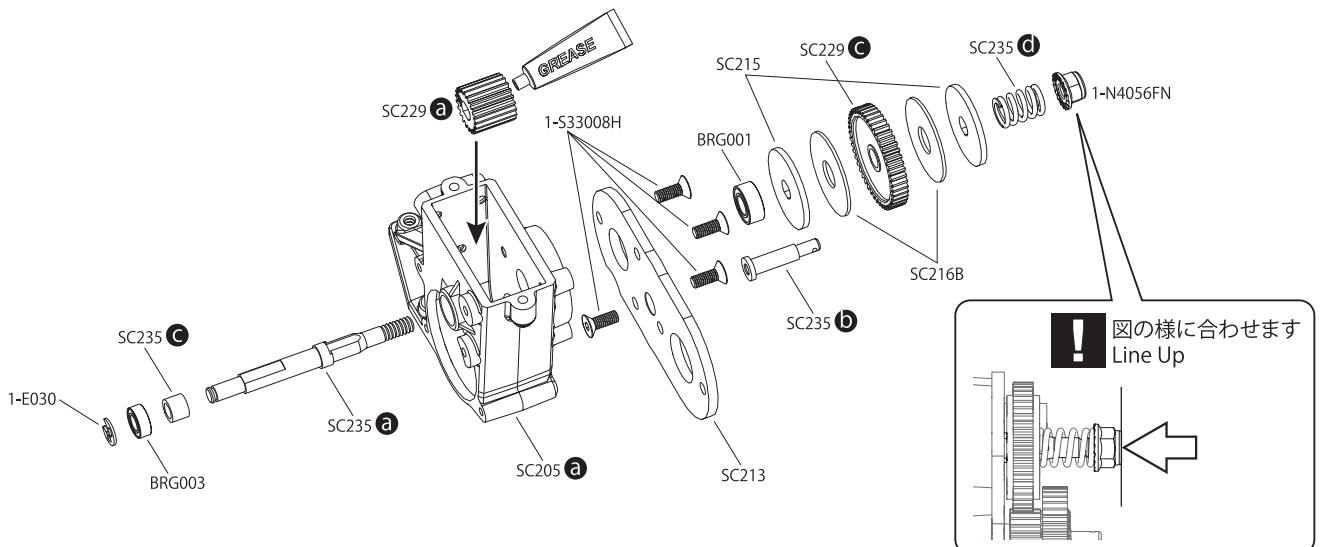
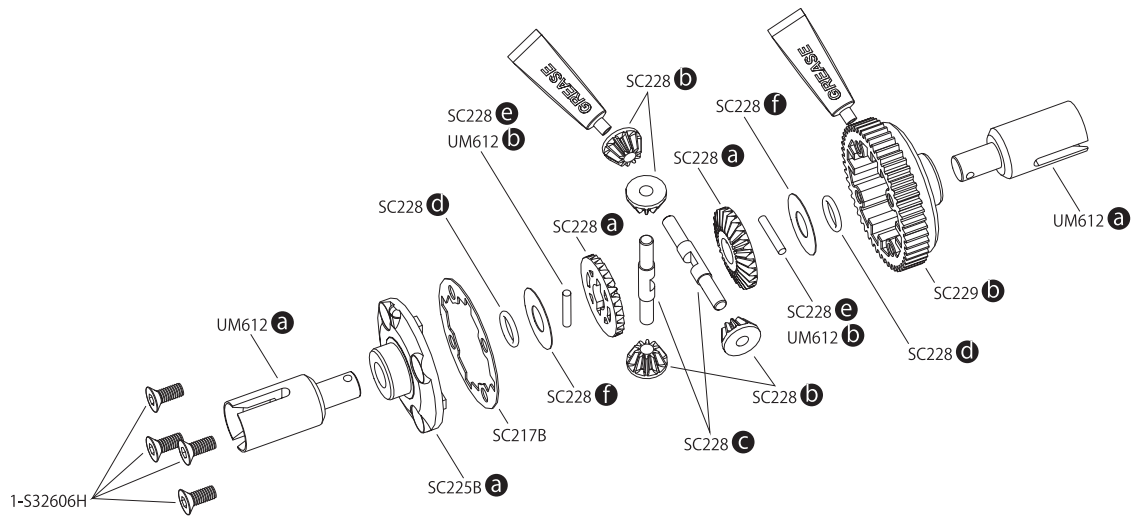
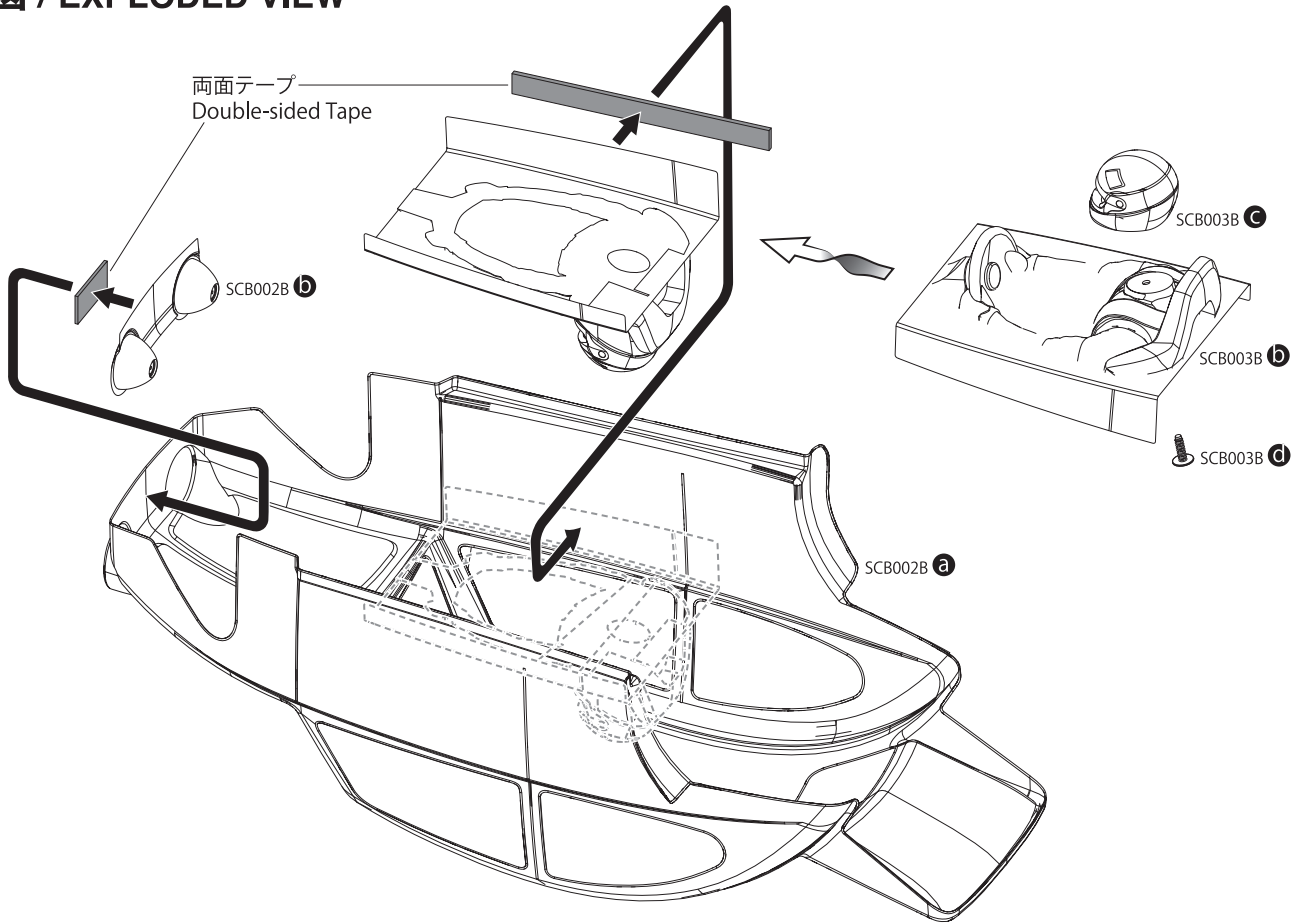
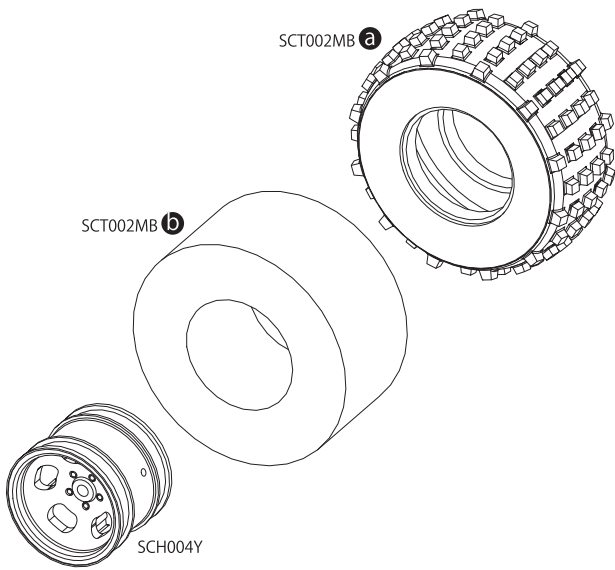
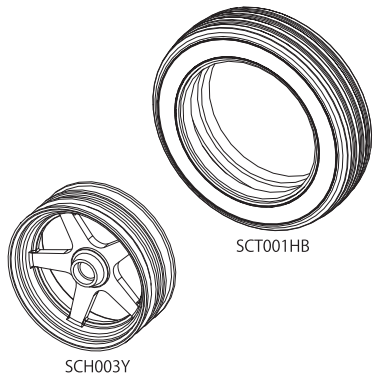
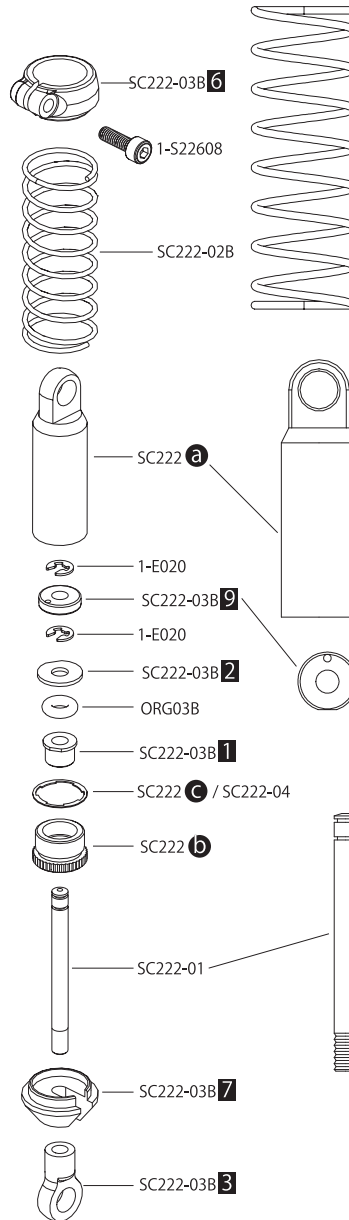


分解図 / EXPLODED VIEW

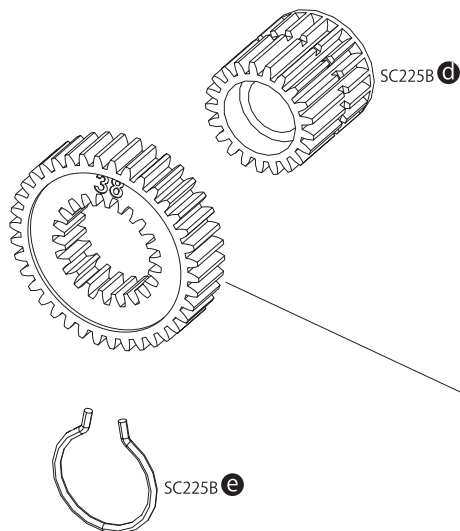
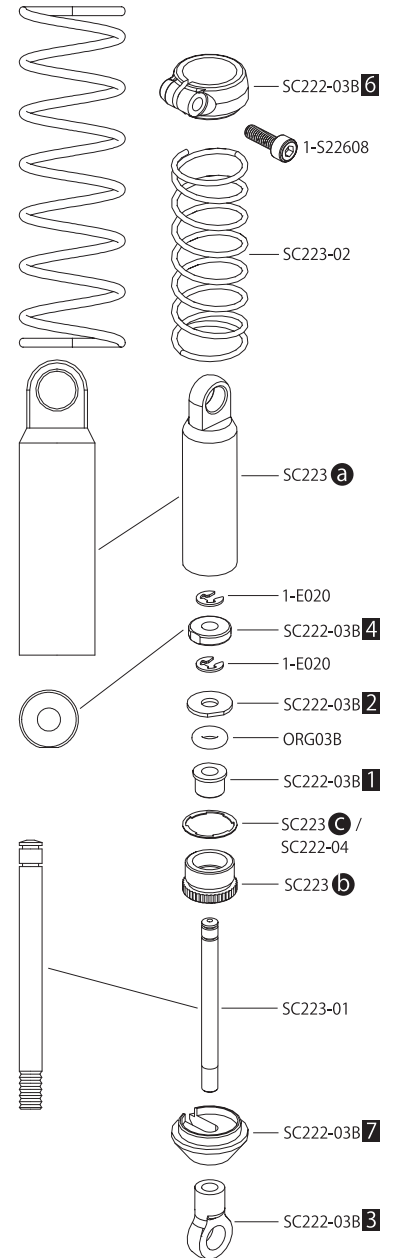




Front SC222



Rear SC223



Gear Ratio Chart

1:1	6.9 : 1	8.3 : 1
<p>SC230B a Motor Pinion 31T Gear</p>	<p>SC225B c Spur Gears 38T</p>	<p>SC230B b Motor Pinion 28T Gear</p>
		<p>SC225B b Spur Gears 41T</p>