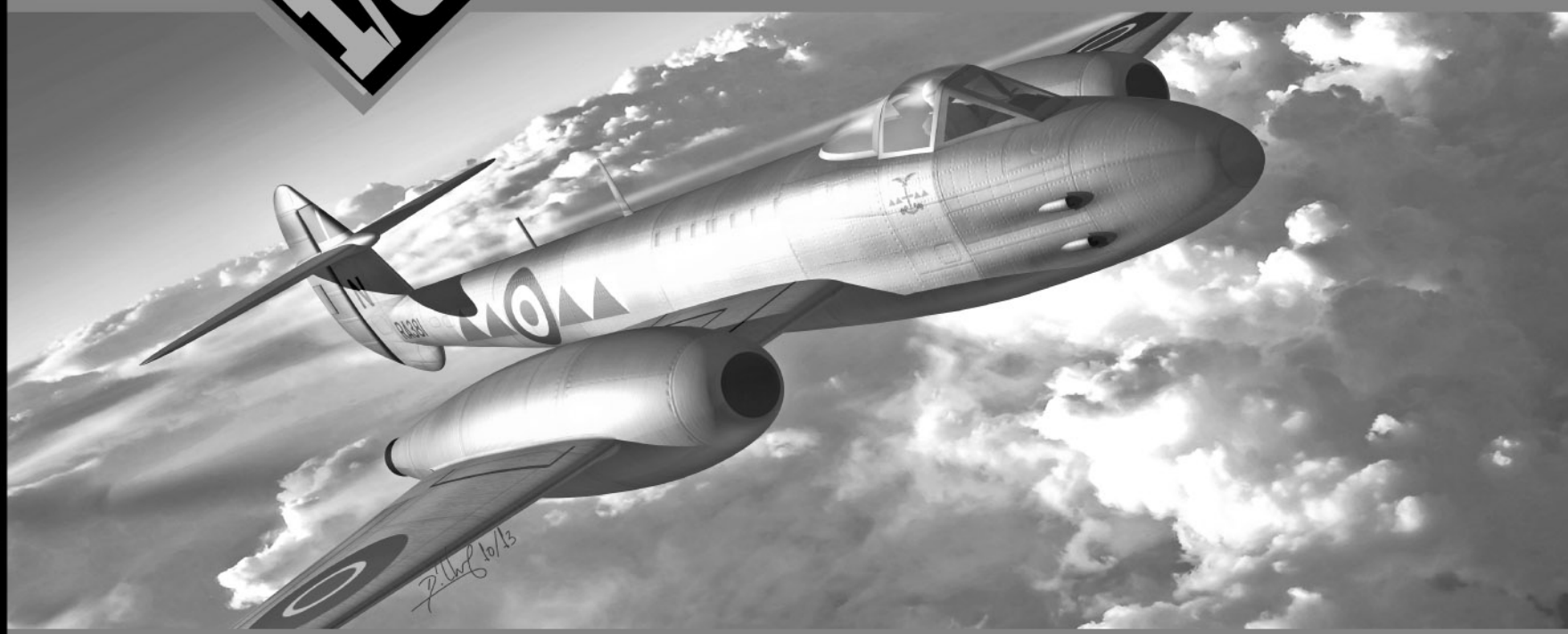




# 1/32

# GLOSTER METEOR F.4



**Plastic model kit containing 101 parts.  
Nose weight included.**

**Wing span : 355mm Length : 394mm**

The Gloster Meteor was the first British jet fighter and the Allies' first operational jet aircraft. The Meteor's development was heavily reliant on its ground-breaking turbojet engines. Developed by Sir Frank Whittle and his company, Power Jets Ltd. Development of the aircraft began in 1940. The Meteor first flew in 1943 and commenced operations on 27 July 1944 with 616 Squadron of Royal Air Force (RAF). It proved to be a successful and effective combat fighter. The Meteor F.4 was the first of the type to be exported, and they served in the air forces of Argentina, Denmark, Egypt, Belgium and the Netherlands.

These instructions were written based on an experienced modeler's recommendations. We do understand that there are one or two logical assembly sequences, and each and every modeler has their own preferences for the order that they build and paint their models. Therefore, we recommend strongly that every proud owner of this giant kit study the instructions thoroughly, then follow their own preferences for the sequence of assembling and painting the model. Like many scale plastic kits on the market, this kit is built around subassemblies. This is the best way to facilitate maximum ease of assembly and painting. As the kit tries to depict the gear down position as accurately as possible, please take special care and follow the instructions carefully when assembling the landing gear. Finally we must advise you to be very careful when using sharp tools such as modeling knives, drills and cutters. Photo-etch pieces are included so also be very careful with the use of super glue. It will stick your fingers together if used improperly. If that should happen, don't attempt to tear your fingers apart by brute force. Use de-bonder from the super glue manufacturer or nail polish remover to dissolve the glue or simply let your fingers stick together for a short period of time and they should come apart with the help of the metabolism of the human skin. There are many model paints on the market, but being an environmentally-conscious brand, we recommend using acrylics, a water-based paint that does the least harm to the environment. This is a complex kit that will provide hours and hours of enjoyment. However, this kit is meant for modelers aged 14 and over as it contains many small and sharp parts, so please keep it out of the reach of small children.

## CAUTION

- \* When you use glue or paint, do not use near a open flame, and use in a well-ventilated room.
- \* Symbols such as ① refer to the color number of Mr. COLOR and TAMIYA paints. Glue and paint are not included.
- \* When you take parts off the runner, use plastic nippers and trim excess plastic with a cutter or a file.
- \* See the list below for the meaning of symbols.



BE CAREFUL



REMOVE



CEMENT TOGETHER



PLEASE WAIT FOR A FEW MINUTES UNTIL DAY



MAKE 2pcs



OPEN HOLE



DO NOT CEMENT



INSTANT GLUE FOR METAL



BEND



FILL HOLE

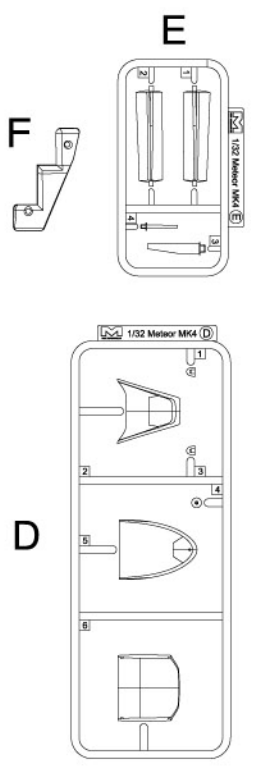
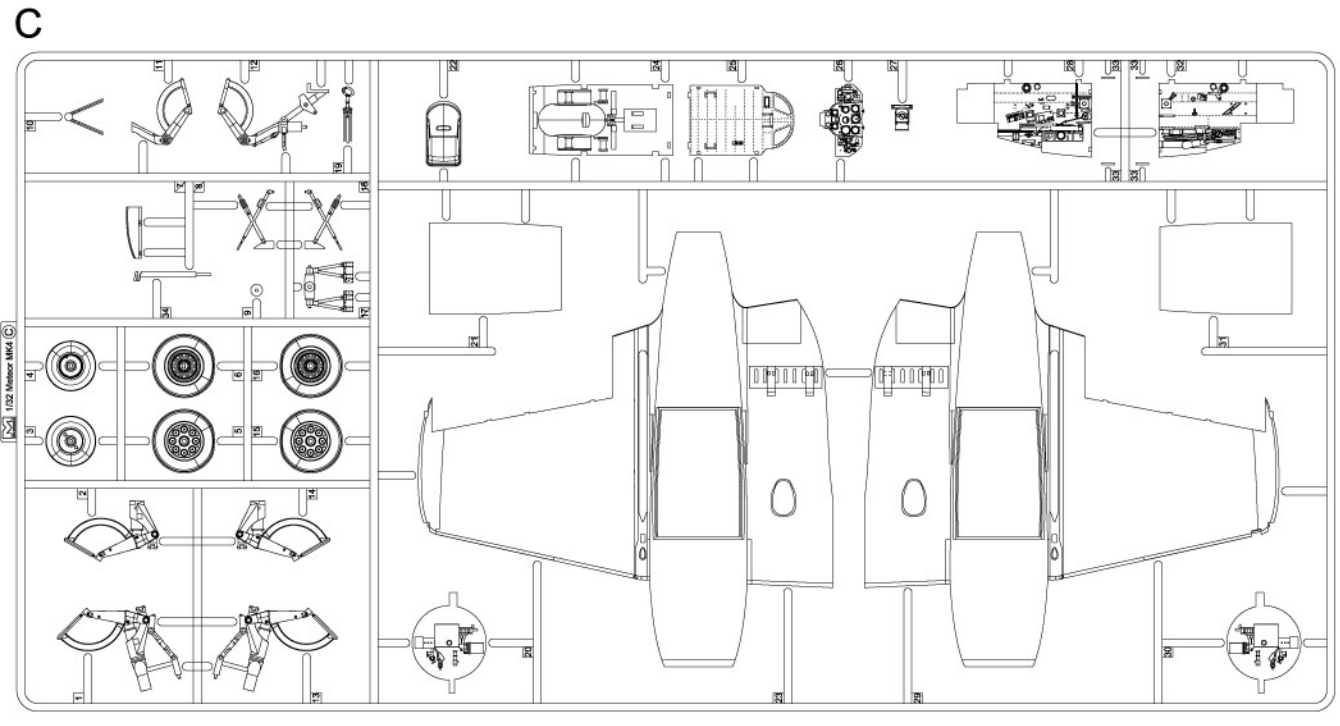
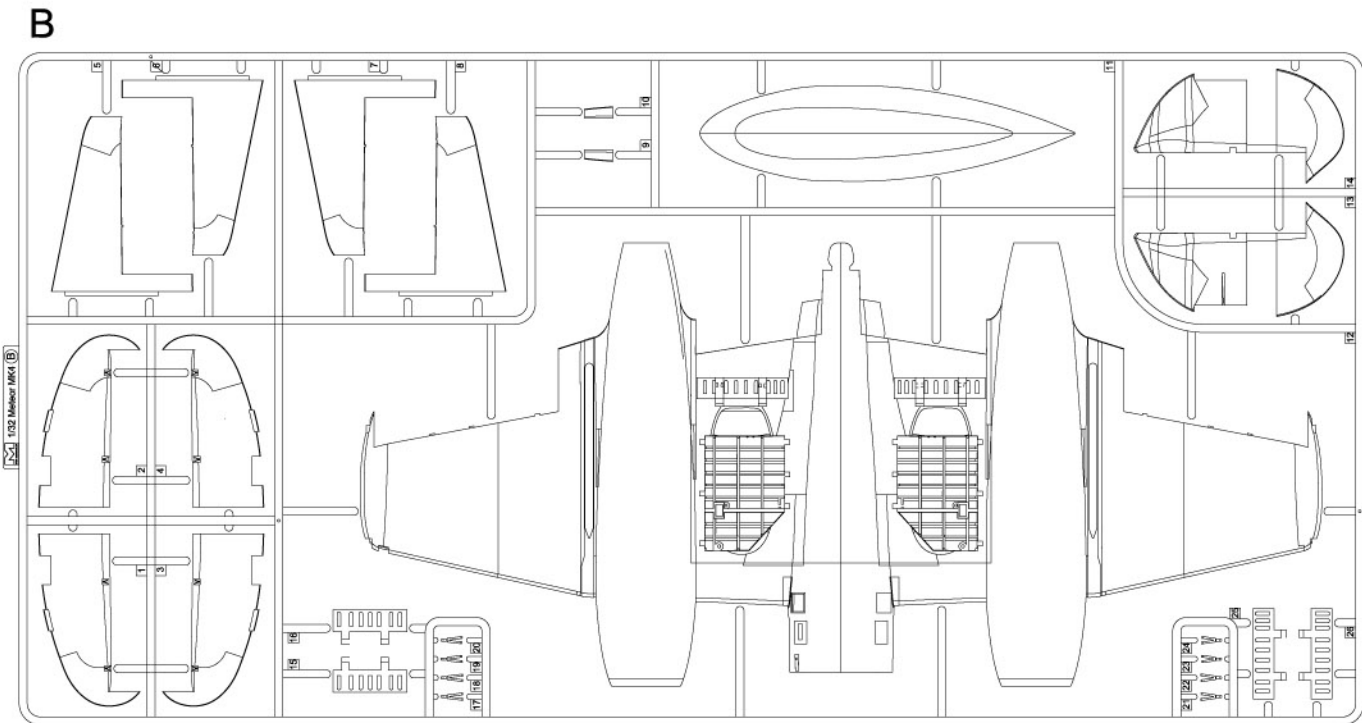
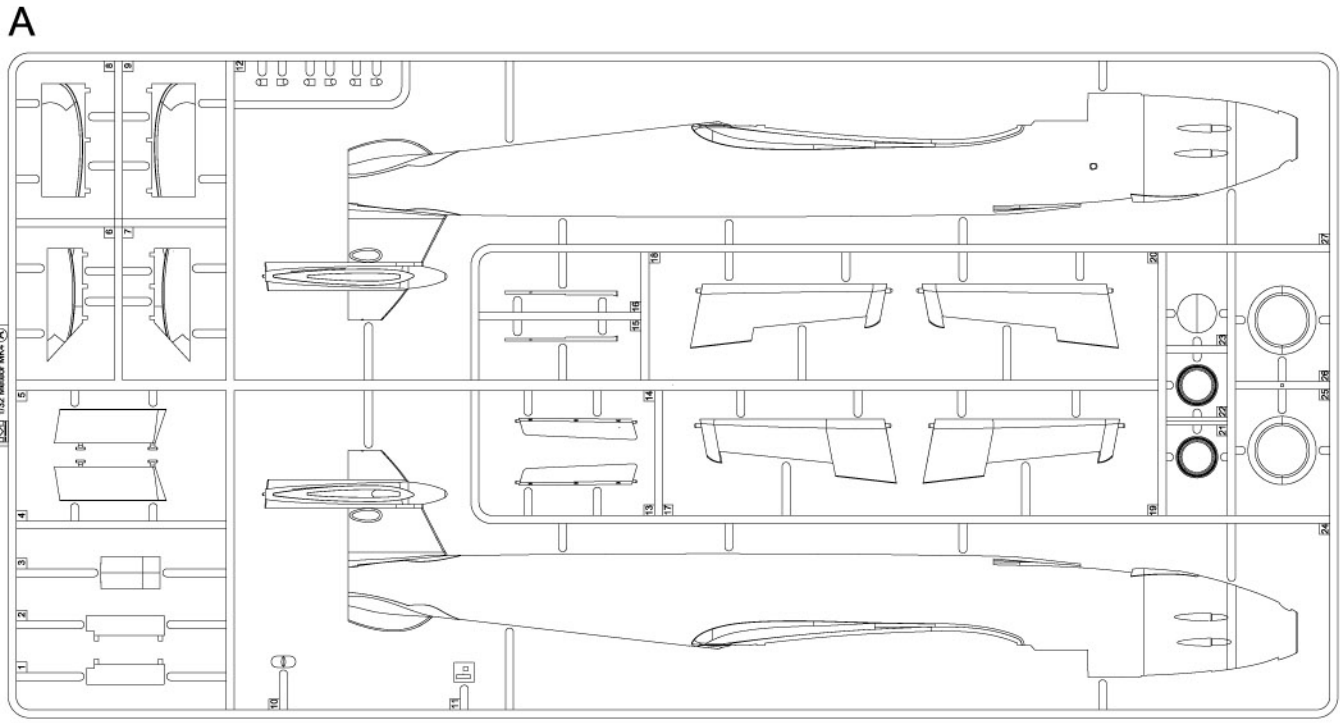


APPLY DECAL



OPTIONAL

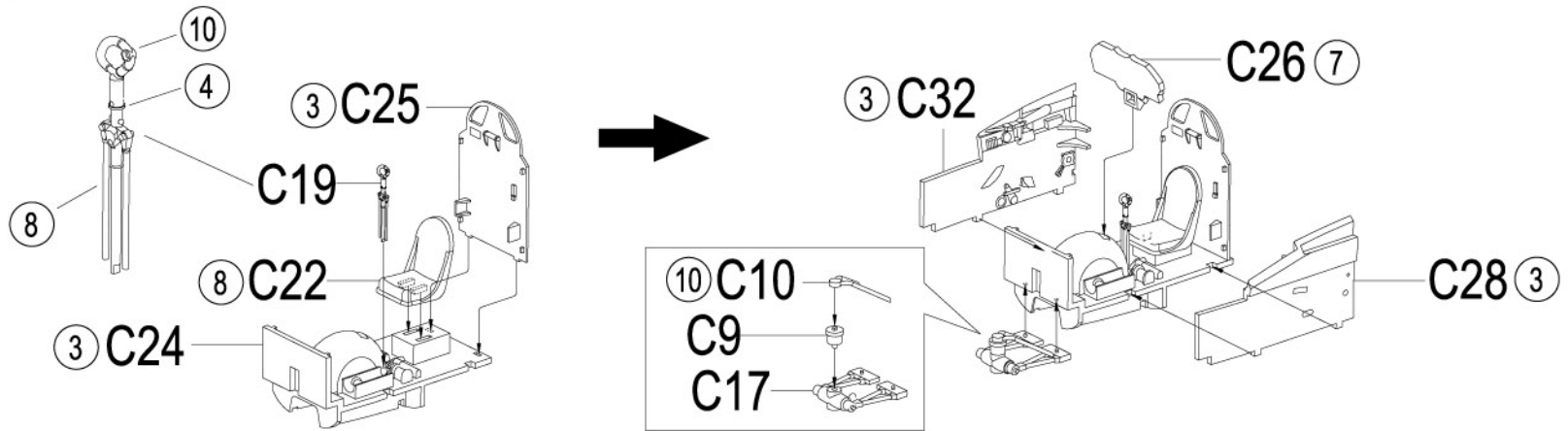
# BOX CONTENTS



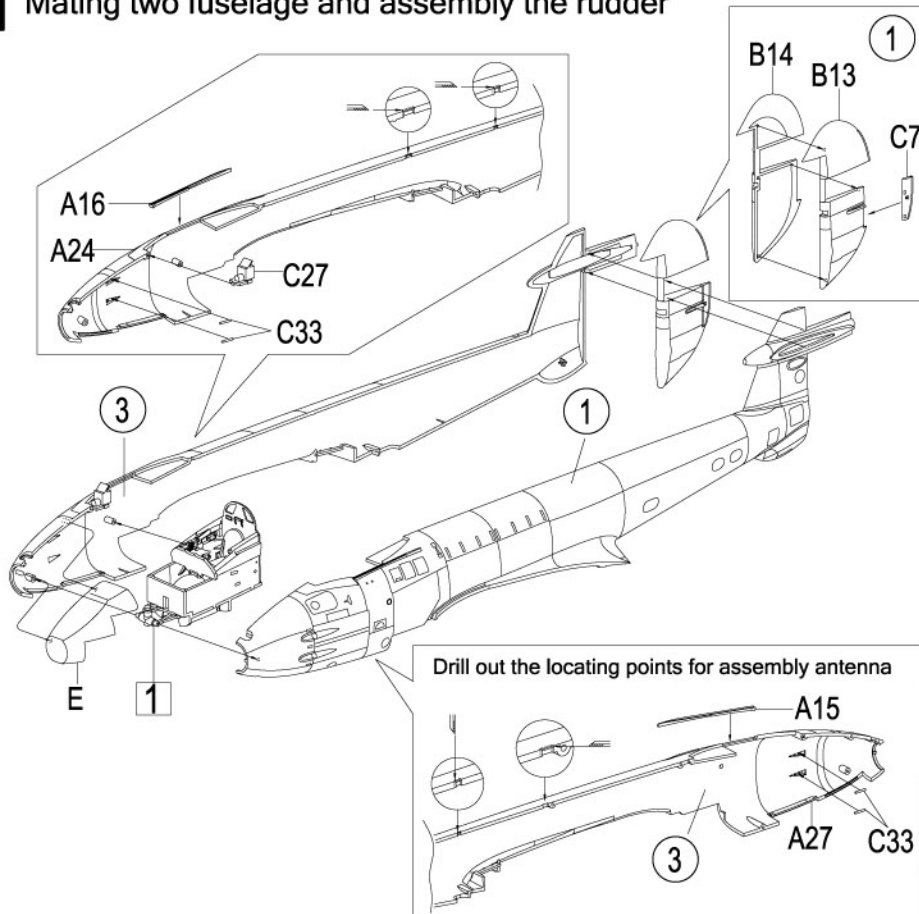
# COLOUR GUIDE

	Colour	FS 595C	HOBBY COLOR	TAMIYA ACRYLICS
①	Silver	FS: 37178	H8	X-11
②	Yellow	FS: 33531	H4	X-8
③	Interior Green	FS: 34151	H58	XF-4
④	Flat White	FS: 37875	H1	X-2
⑤	Blue	FS: 35200	H25	X-14
⑥	Tire Black	FS: 37038	H77	XF-1
⑦	Flat Black	FS: 27038	H12	X-18
⑧	Khaki Green	FS: 34088	H80	XF-51
⑨	Red	FS: 31105	H3	X-7
⑩	Black	FS: 17038	H2	X-1
⑪	Steel		H18	X-10
⑫	Green	FS: 34230	H6	X-6

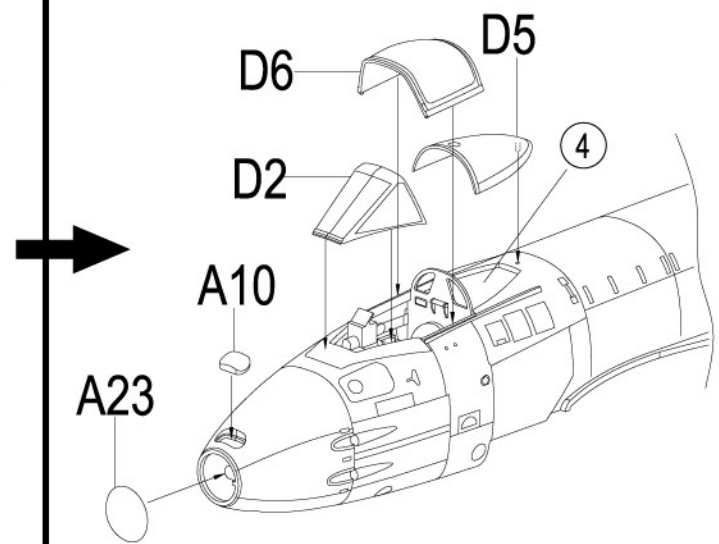
## 1 Cockpit components assembly



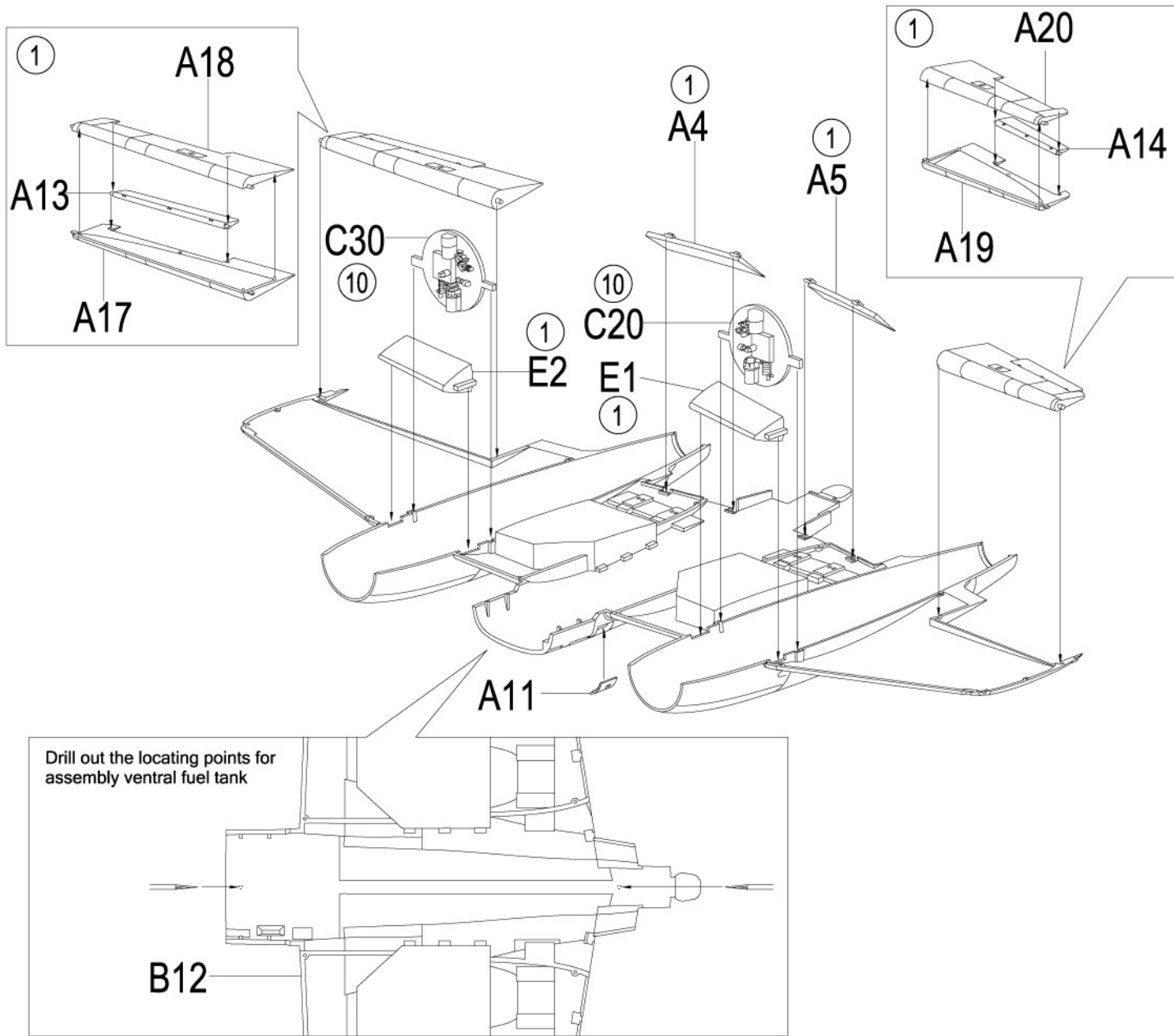
## 2 Mating two fuselage and assembly the rudder



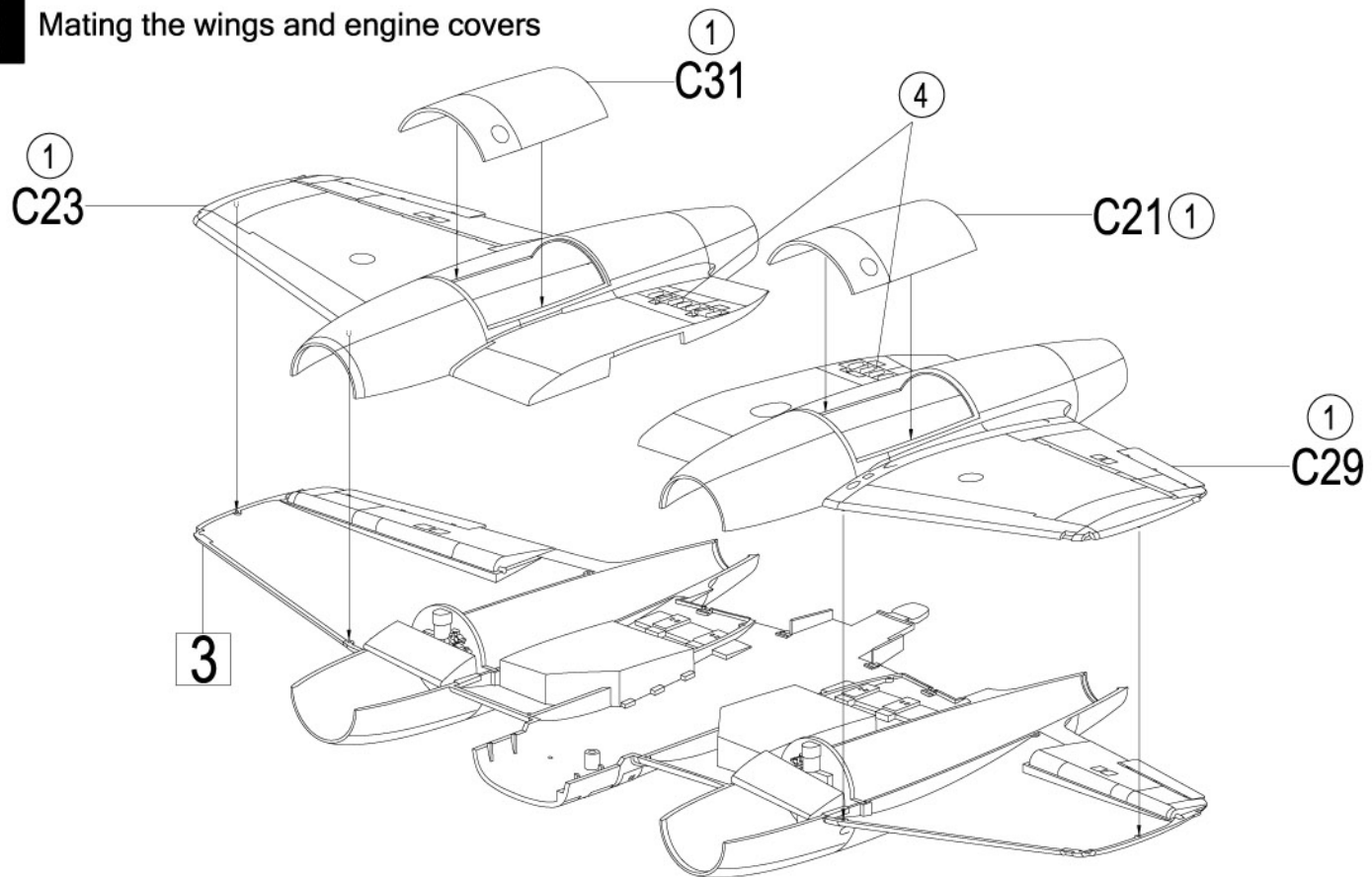
## 3 Canopy assembly



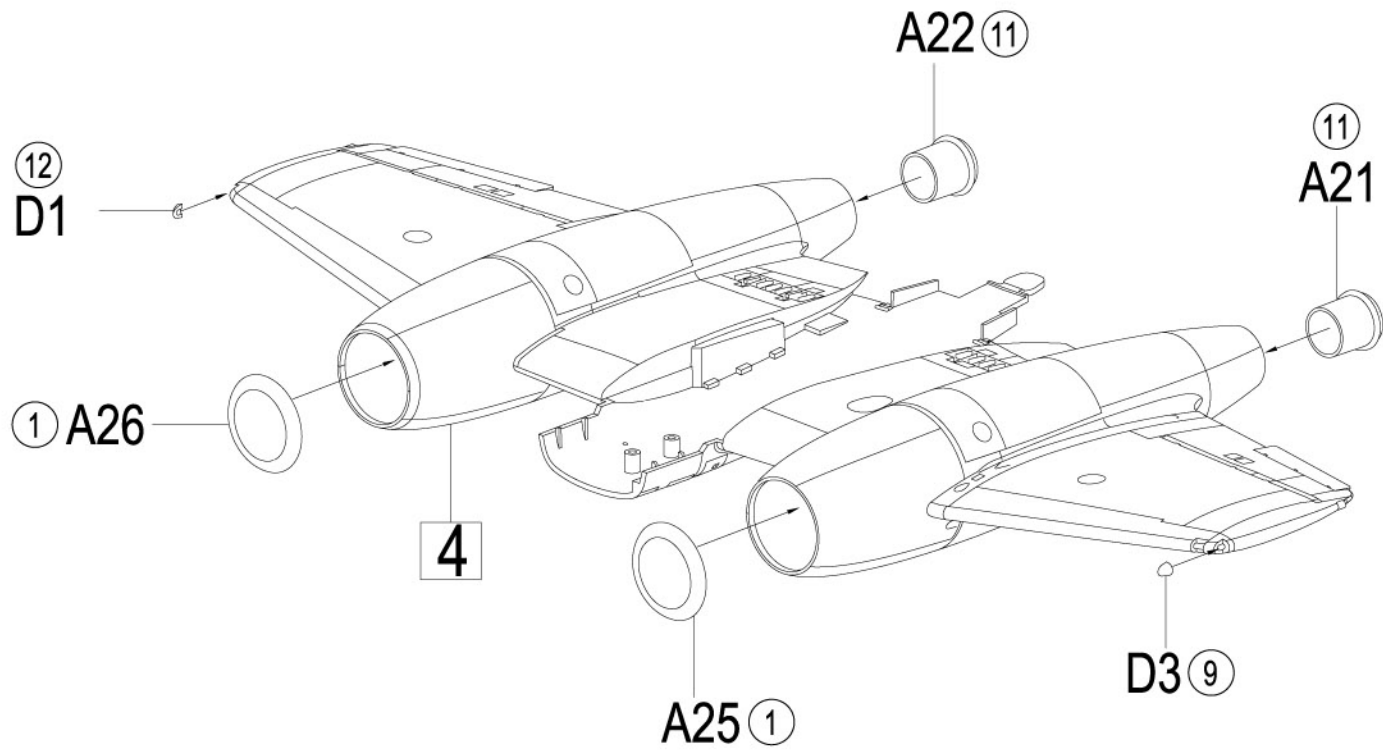
### 4 Wings and control surface assembly



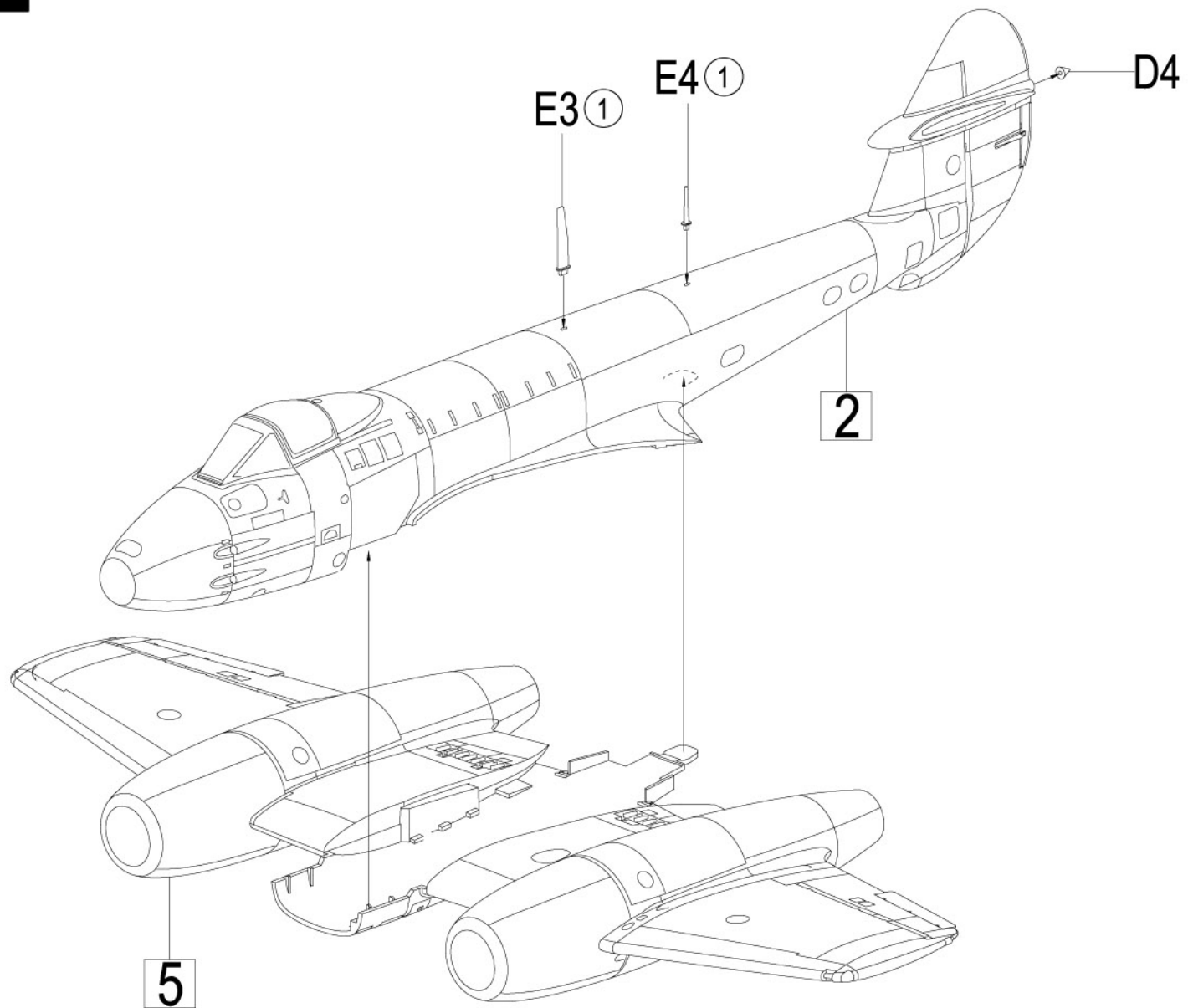
### 5 Mating the wings and engine covers



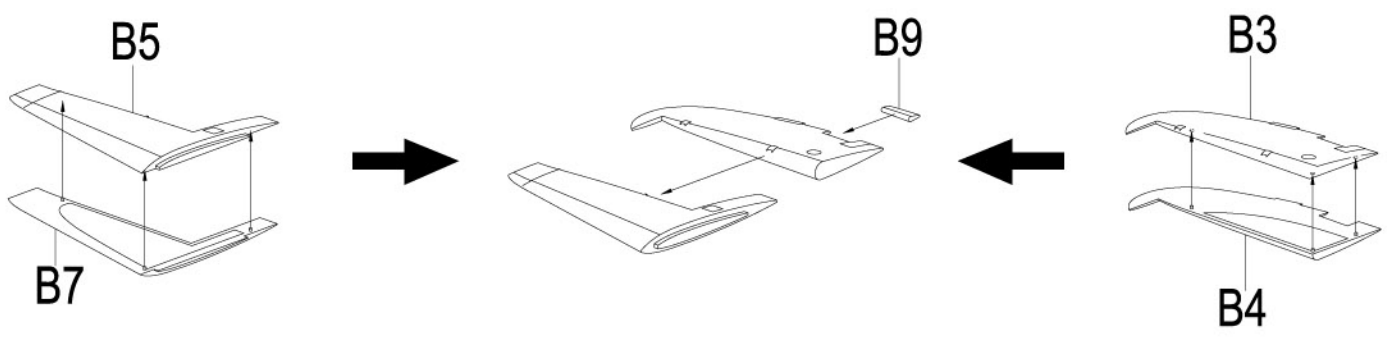
## 6 Assembly engine intakes and exhausts



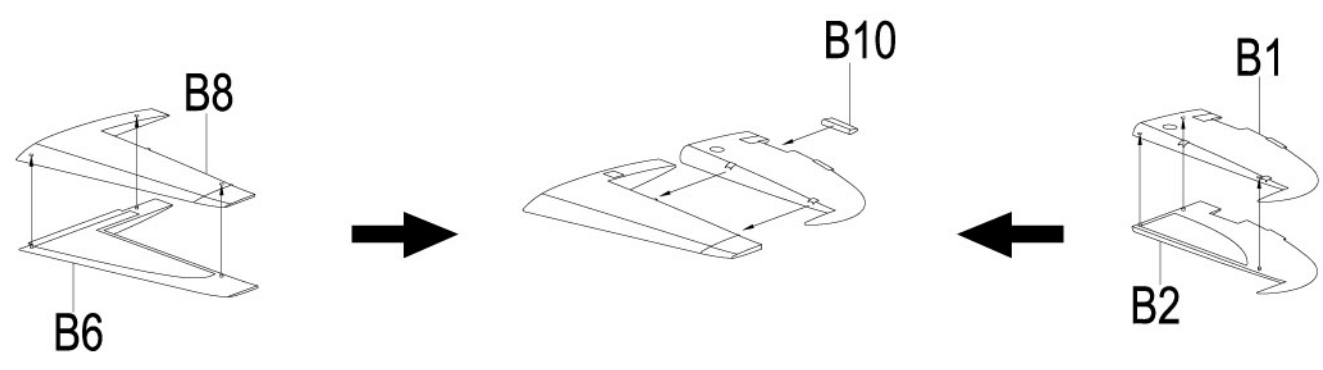
## 7 Assembly fuselage and wing section



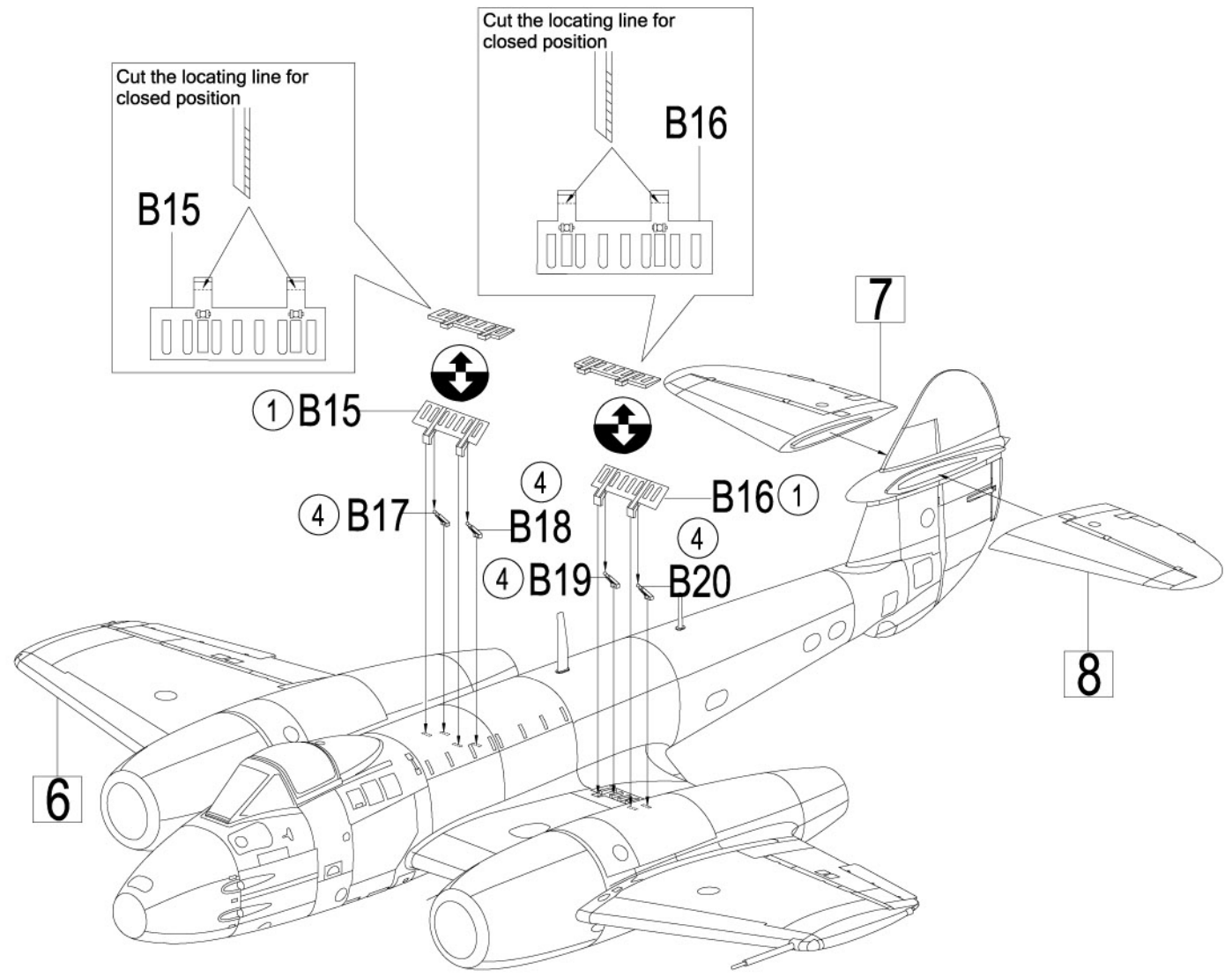
### 8 Tail section assembly ①



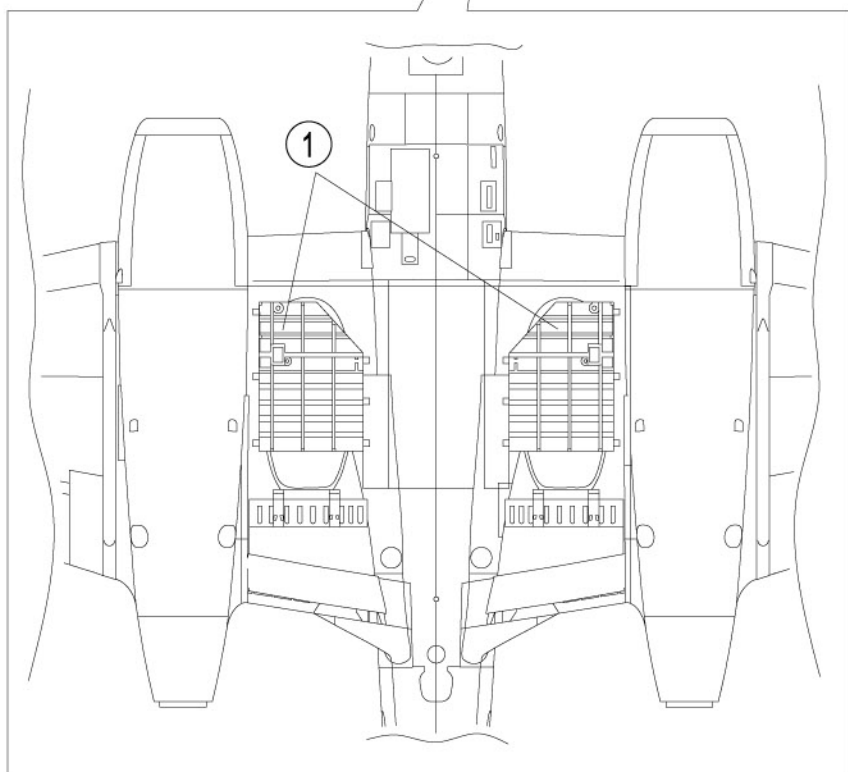
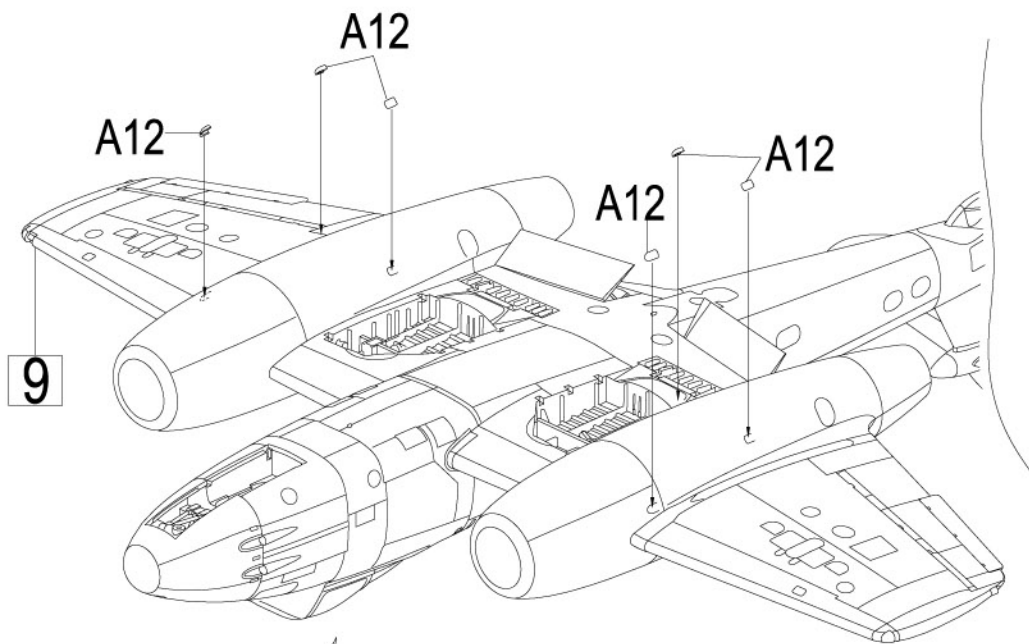
### ①



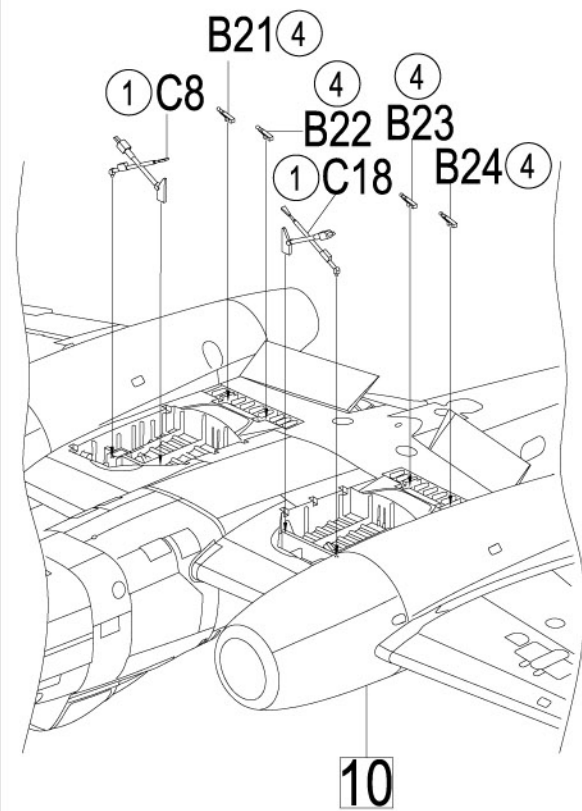
### 9 Air brake assembly with option in open and closed position



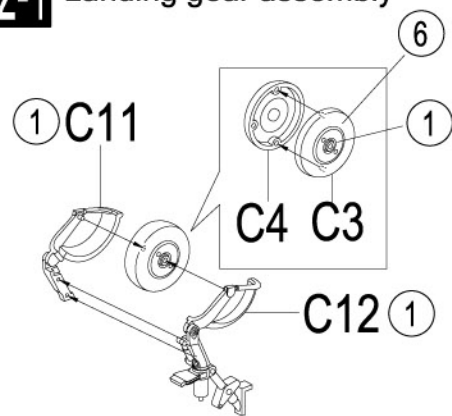
### 10 Landing gear in gear down position



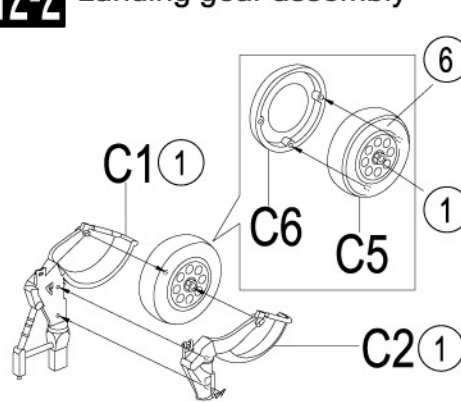
### 11 Assembly of landing gear in gear down position



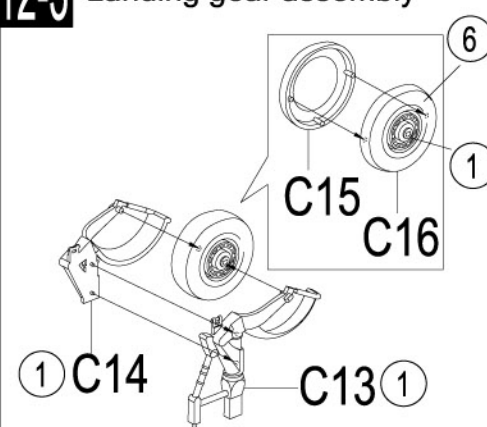
### 12-1 Landing gear assembly



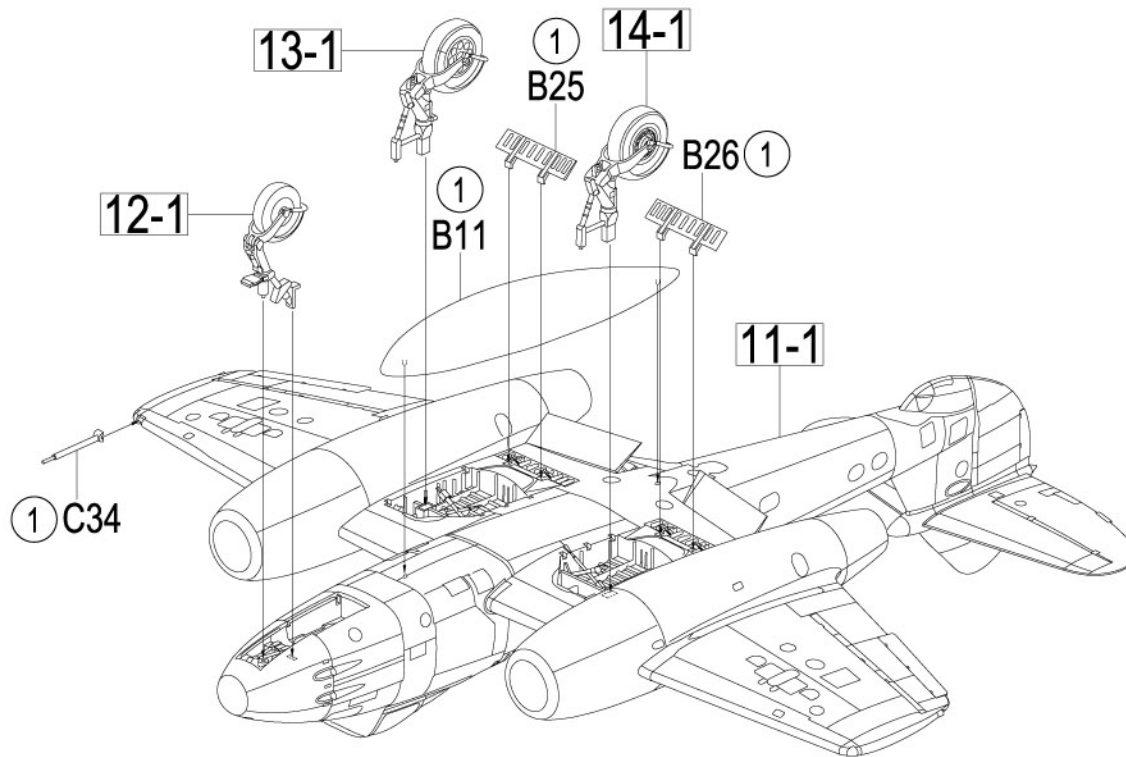
### 12-2 Landing gear assembly



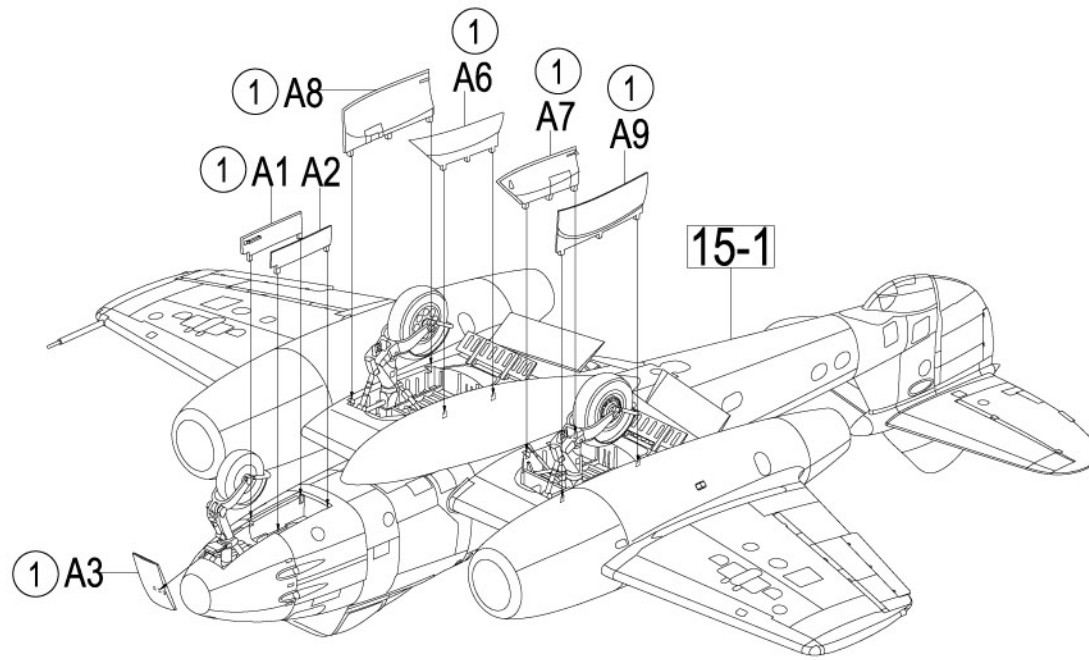
### 12-3 Landing gear assembly



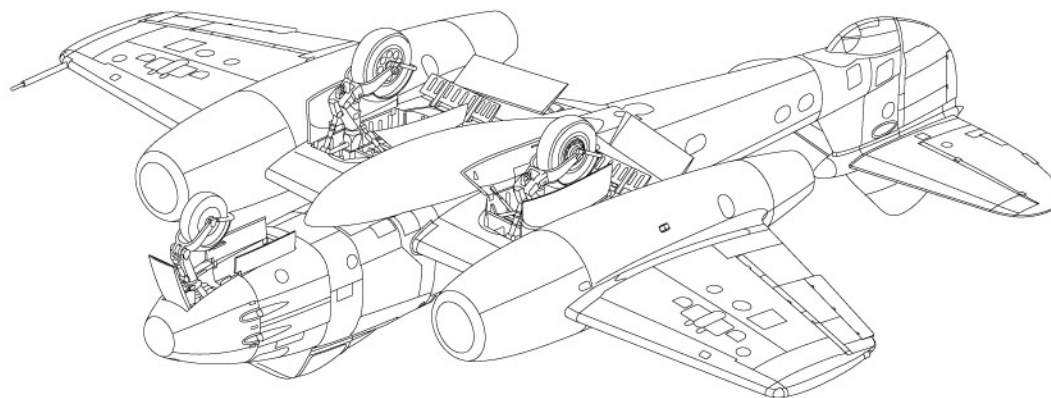
**13** Assembly of landing gear in gear down and air brake open position



**14** Assembly the landing gear doors in open position

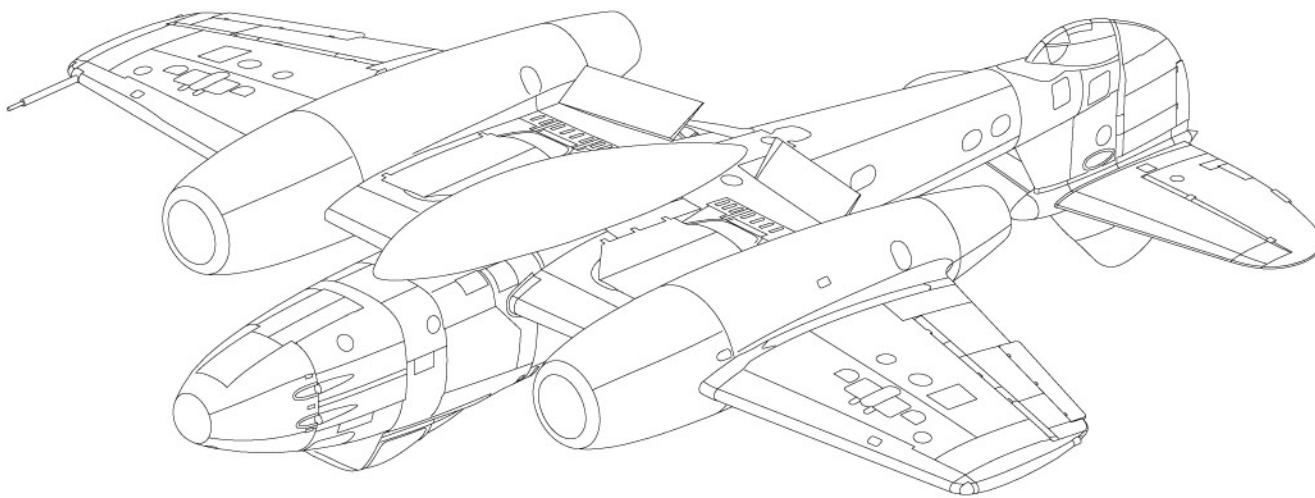
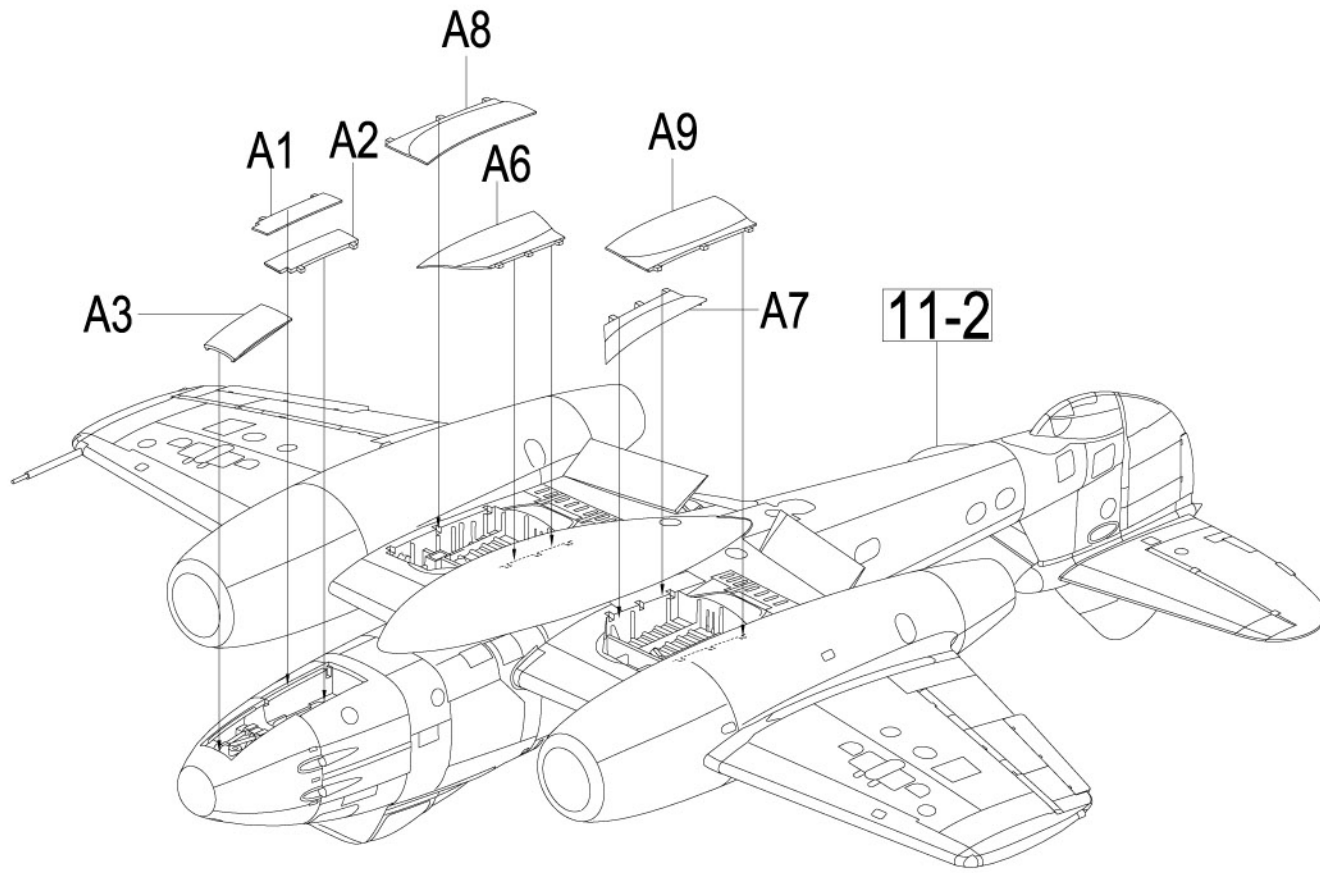


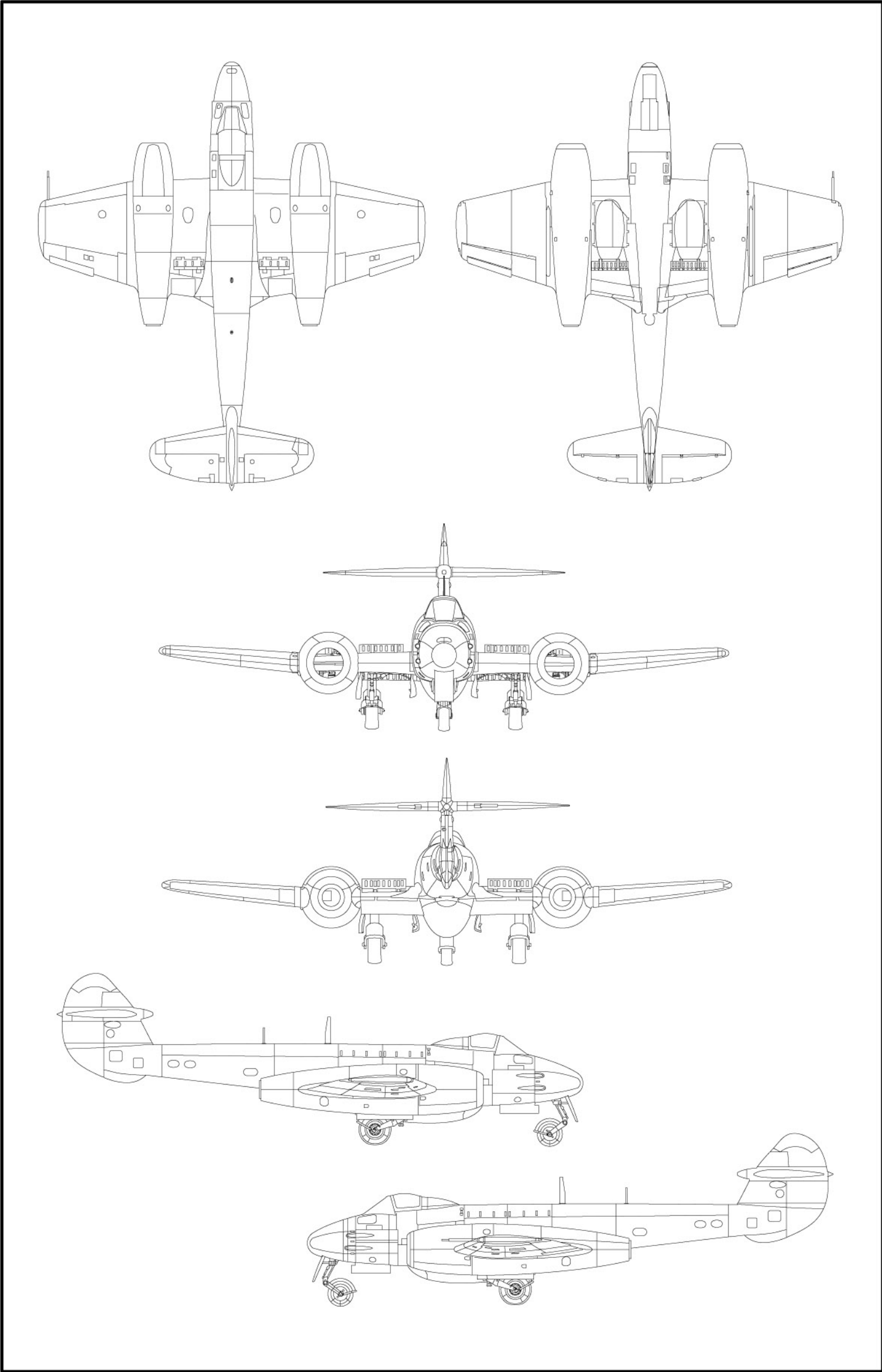
**15**



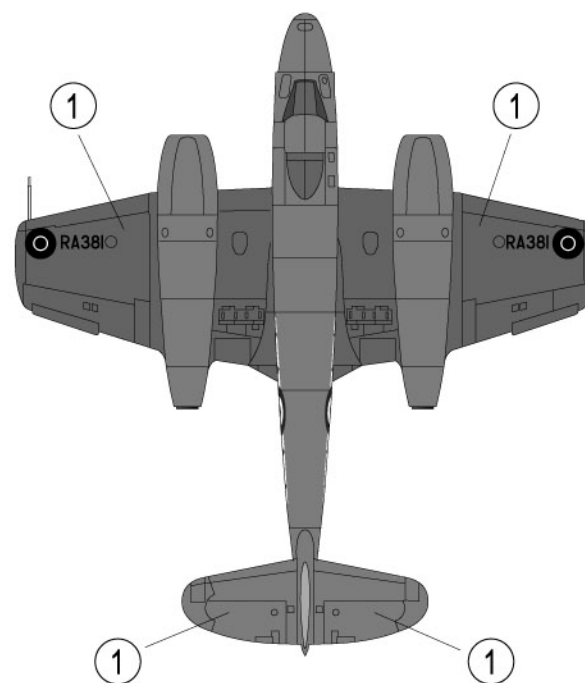
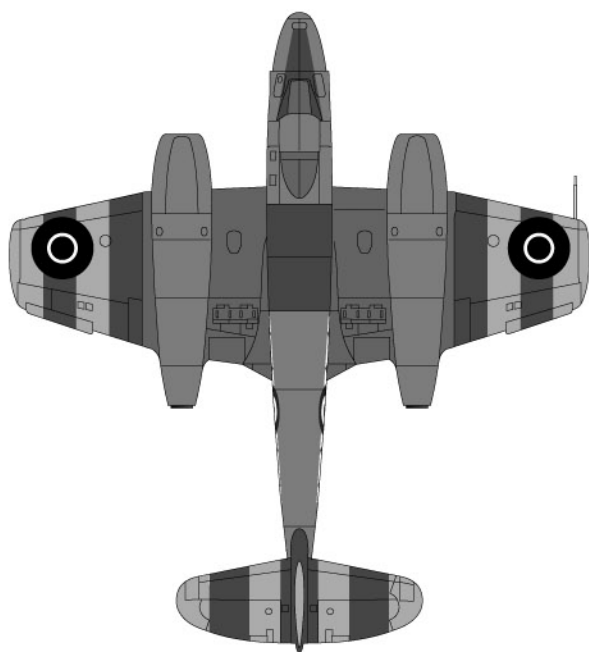
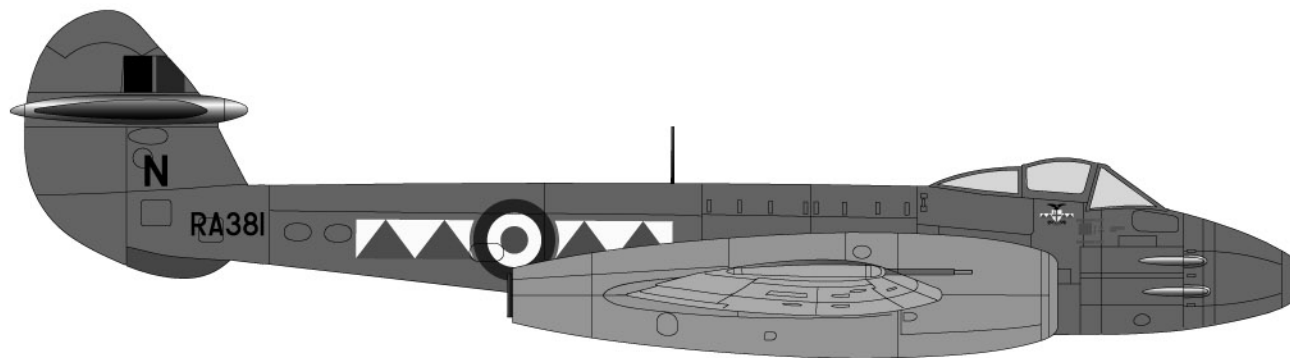
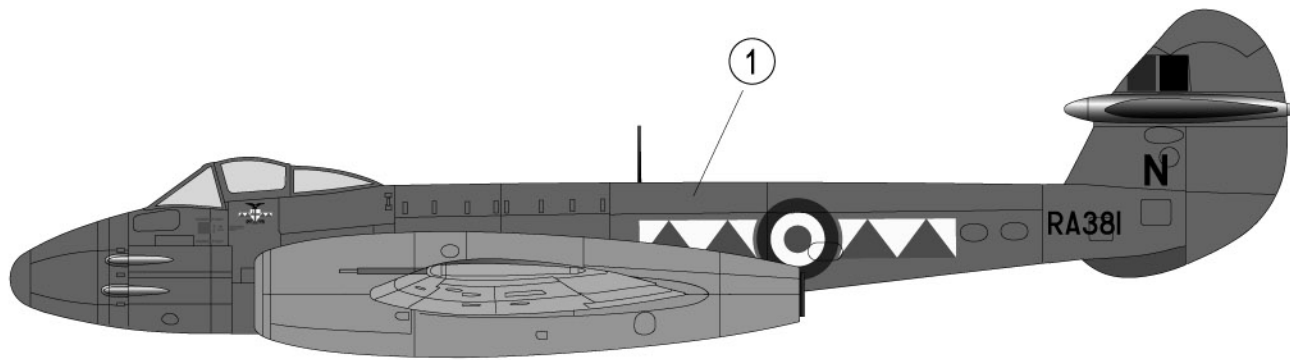
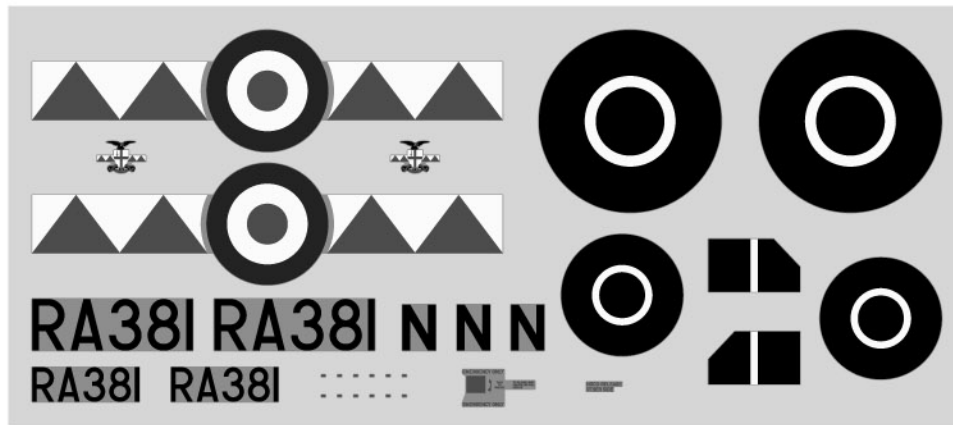


**16** Assembly of landing gear up and landing gear doors close position

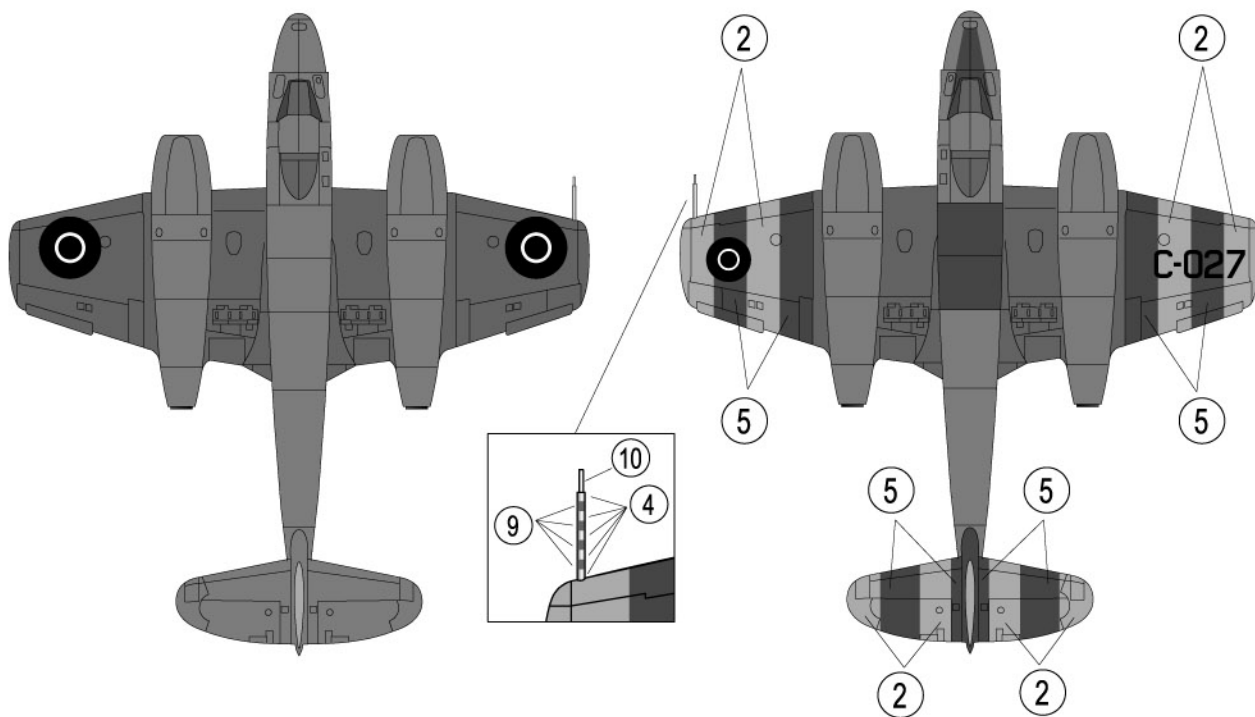
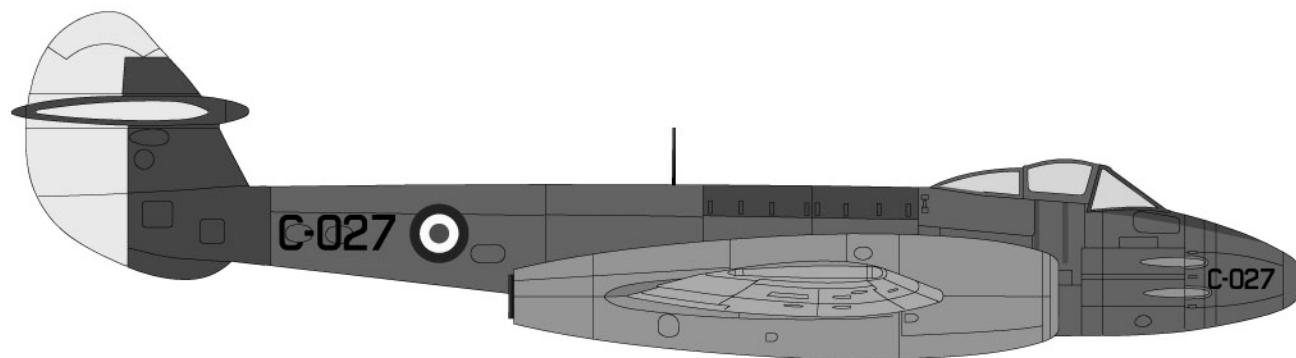
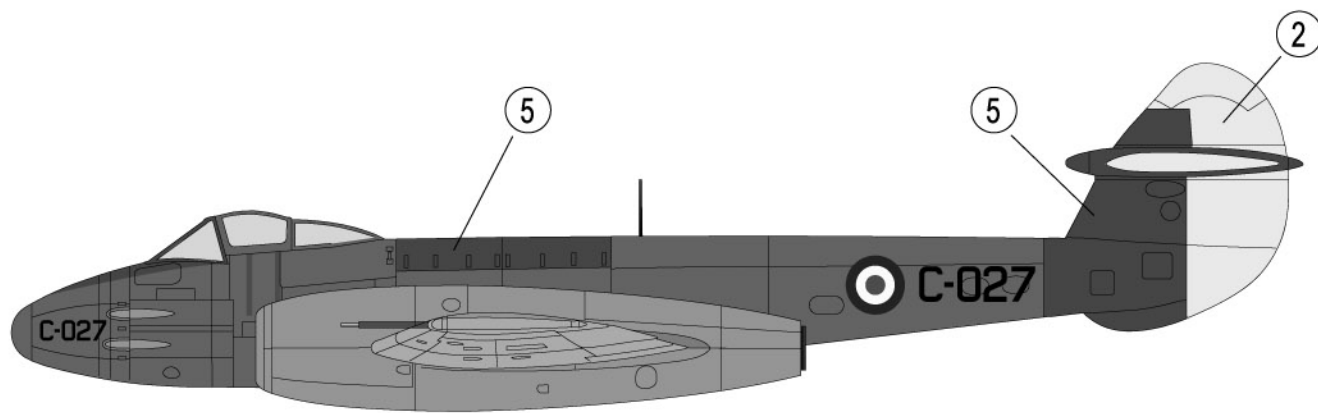
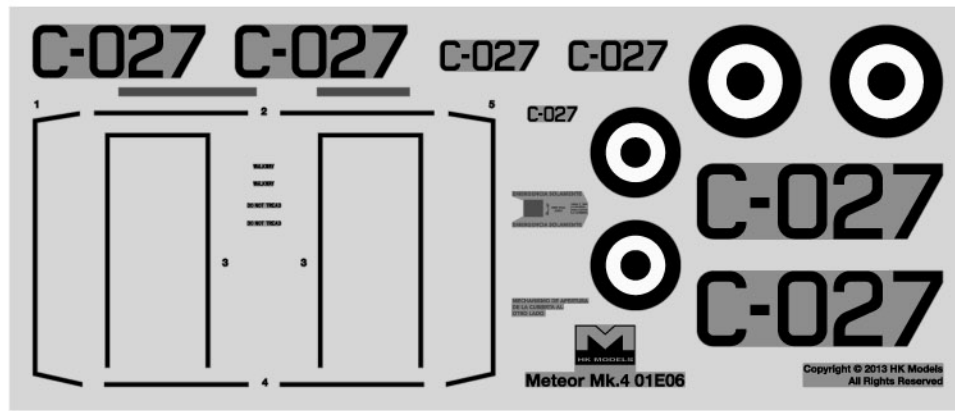




# 17 Painting and decal placement



# 18 Painting and decal placement



**Hong Kong Models Co., Ltd**

Address: Flat 12, 12/F., Block A, Tak Lee Industrial Center. Ching Yeung Street. Tuen Mun. N.T. Hong Kong.

Tel: 852-2464 9813 Fax: 852-2626 4864

Website: [www.hk-models.com](http://www.hk-models.com) E-mail: [info@hk-models.com](mailto:info@hk-models.com)