



EstesRockets.com

# MINI ALPHA™

2458

AGES  
10+



Skill Level

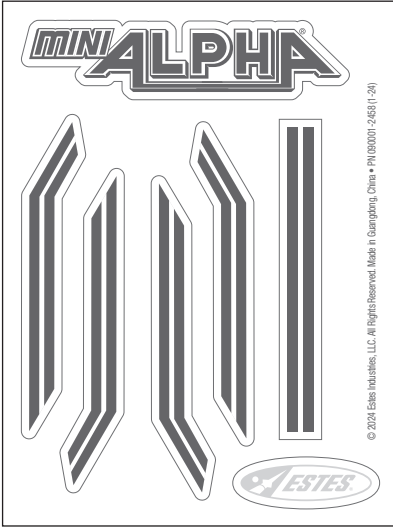
**BEGINNER**

## MODEL ROCKET INSTRUCTIONS

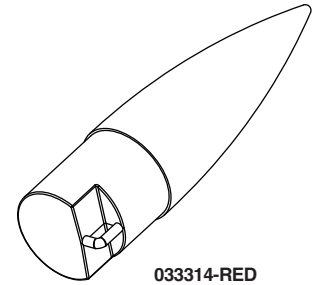
KEEP FOR FUTURE REFERENCE

**IMPORTANT:** Please record date found on decal and keep for future reference. \_\_\_\_\_

*Read all instructions. Make sure you have all parts and supplies.*



090001-2458  
Self-stick decal



033314-RED  
Nose cone

085896  
Body tube

073220-WHITE  
Engine mount  
fin can unit  
(1 fin slot)

072030-BLUE  
Mini fin blue

073224  
Shock cord  
mount

073221-WHITE  
Engine mount  
fin can unit  
(2 fin slots)

072030-WHITE  
Mini fin white  
**x2**

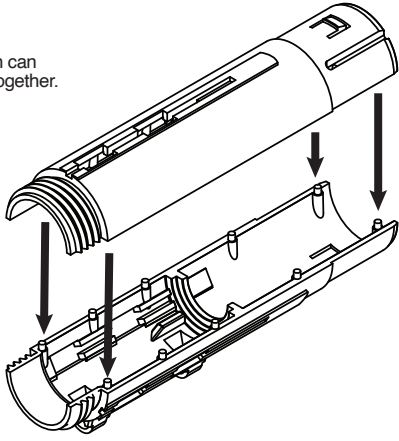
038272  
Streamer

073223-WHITE  
Engine retainer  
cap

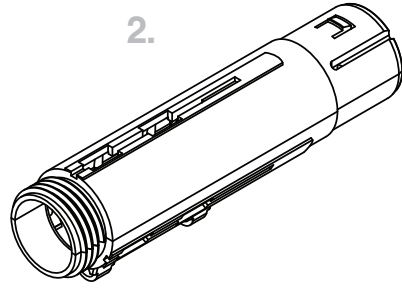
038366  
Shock cord

## ASSEMBLE ENGINE MOUNT FIN CAN UNIT

1. Press fin can halves together.



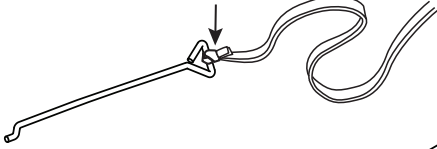
2.



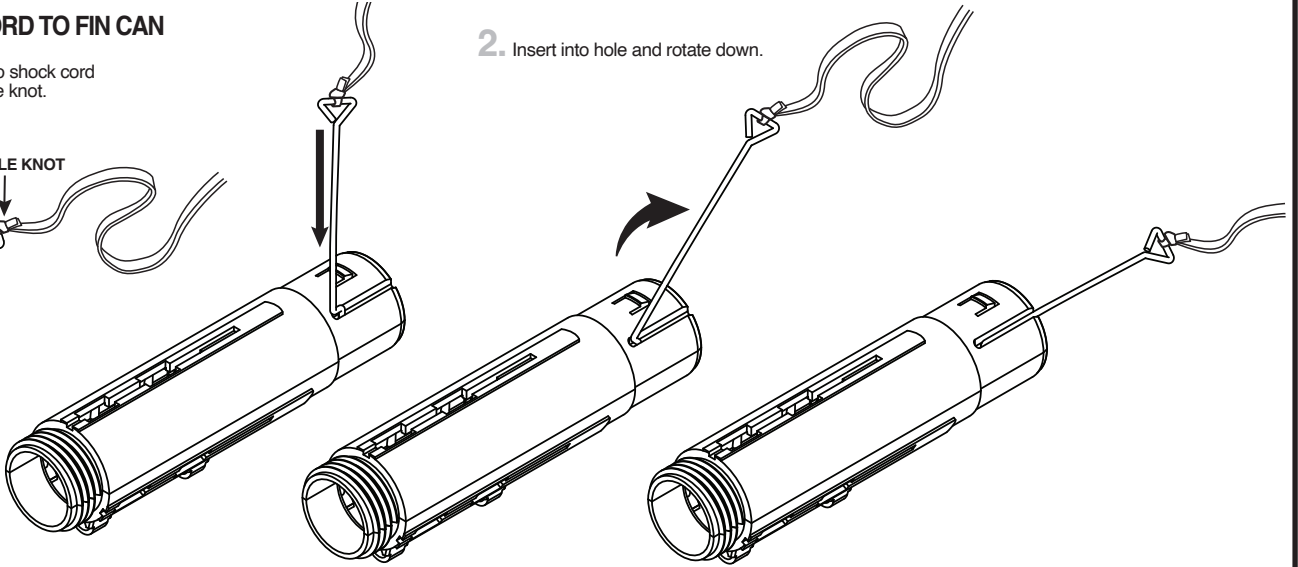
## ATTACH SHOCK CORD TO FIN CAN

1. Attach shock cord to shock cord mount with a double knot.

DOUBLE KNOT

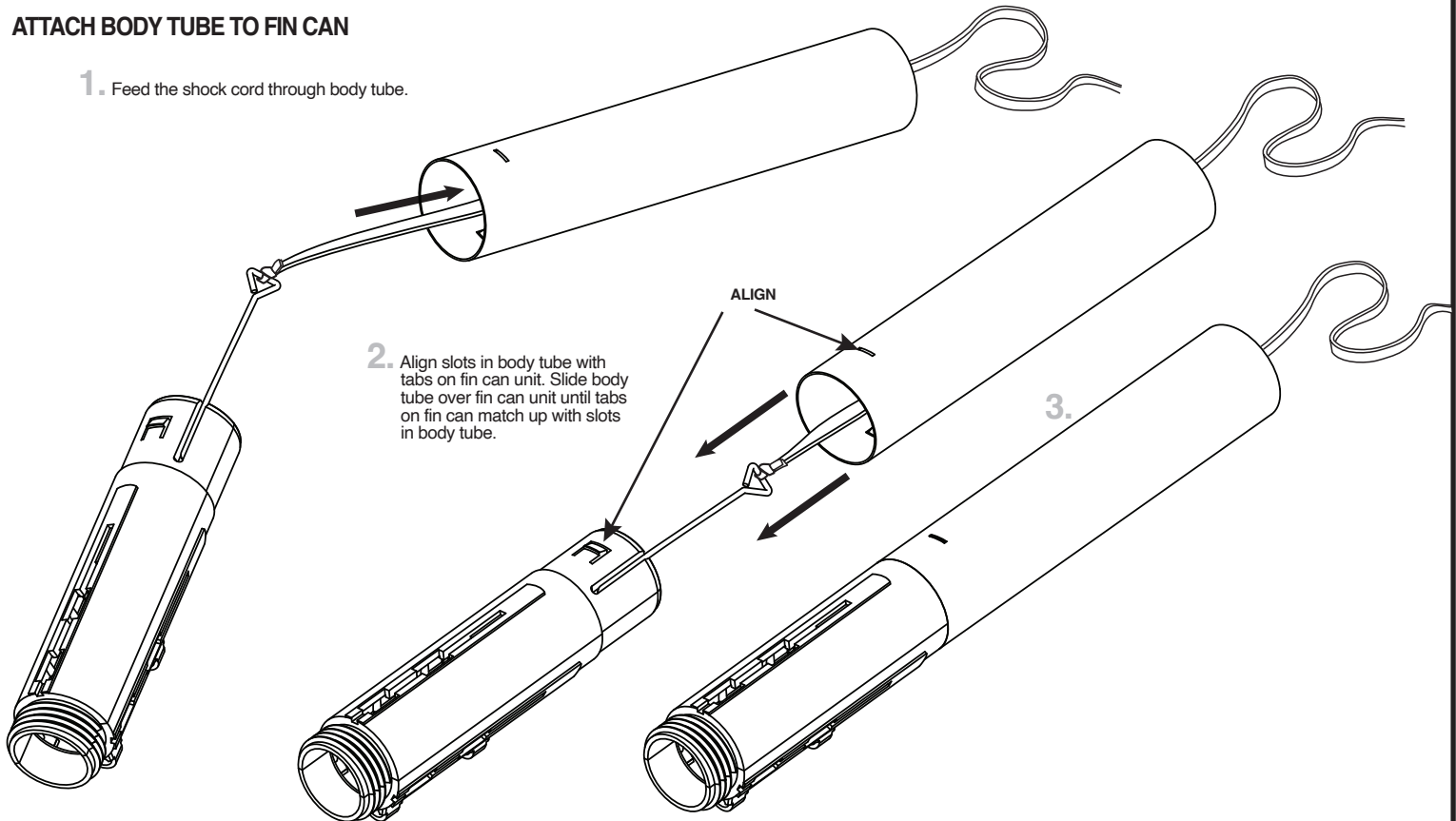


2. Insert into hole and rotate down.



## ATTACH BODY TUBE TO FIN CAN

1. Feed the shock cord through body tube.



2. Align slots in body tube with tabs on fin can unit. Slide body tube over fin can unit until tabs on fin can match up with slots in body tube.

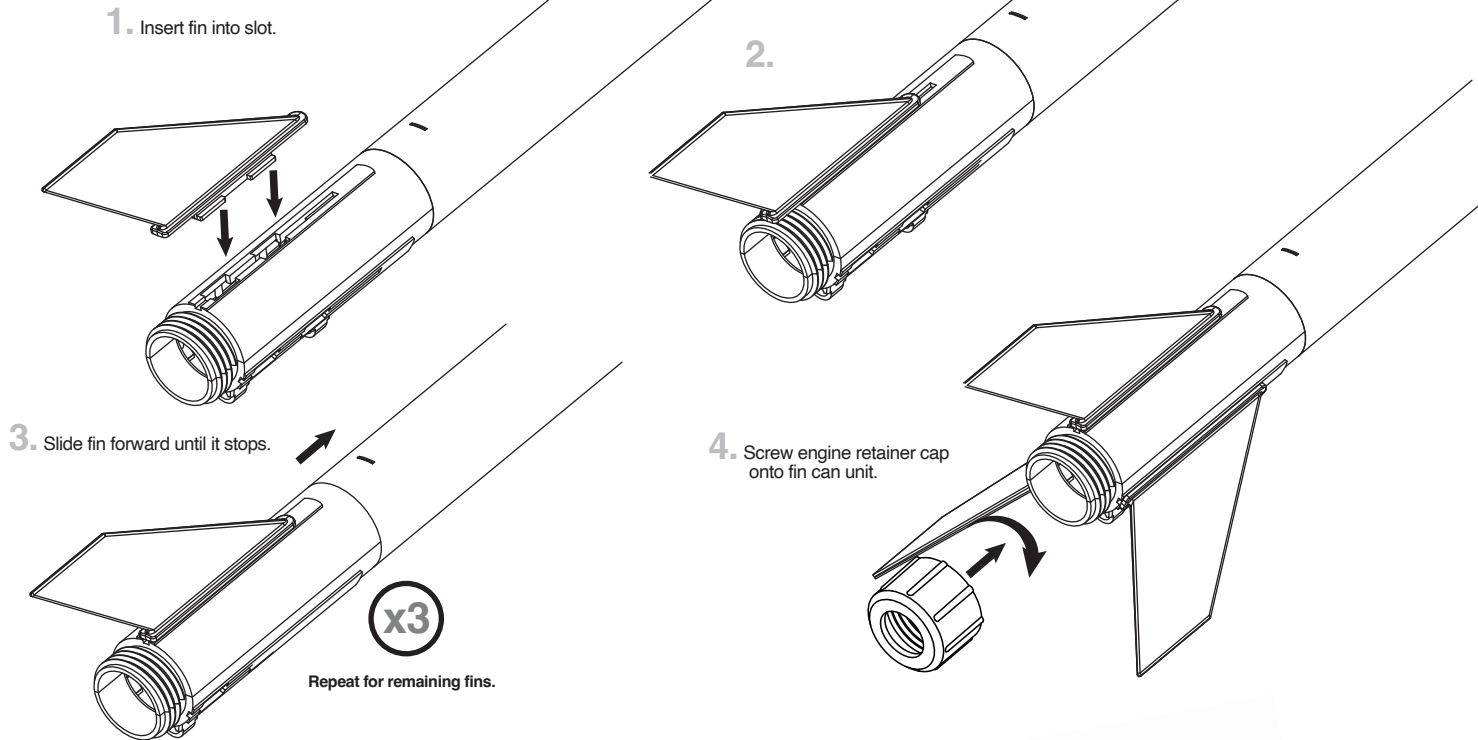
3.

ALIGN

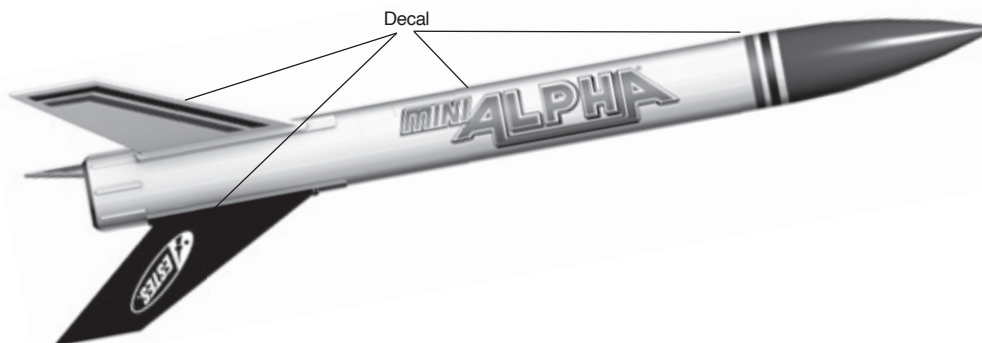
ALIGN

ALIGN

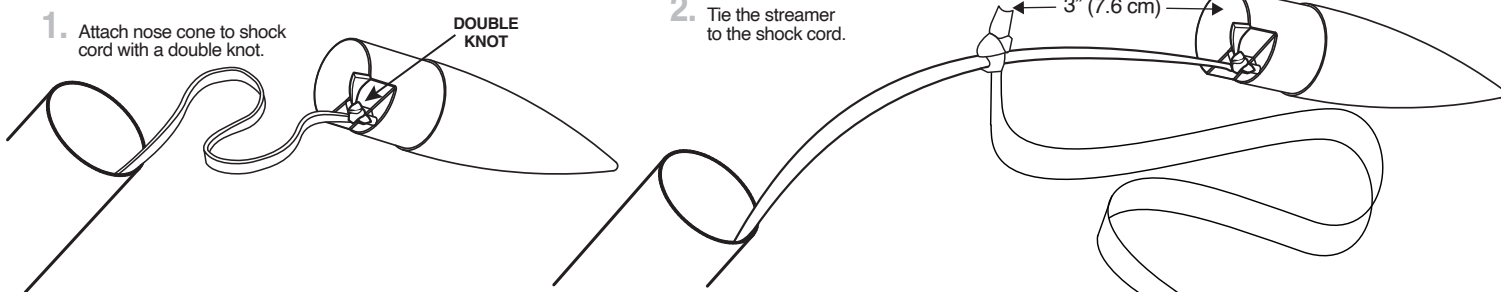
## ATTACH FINS



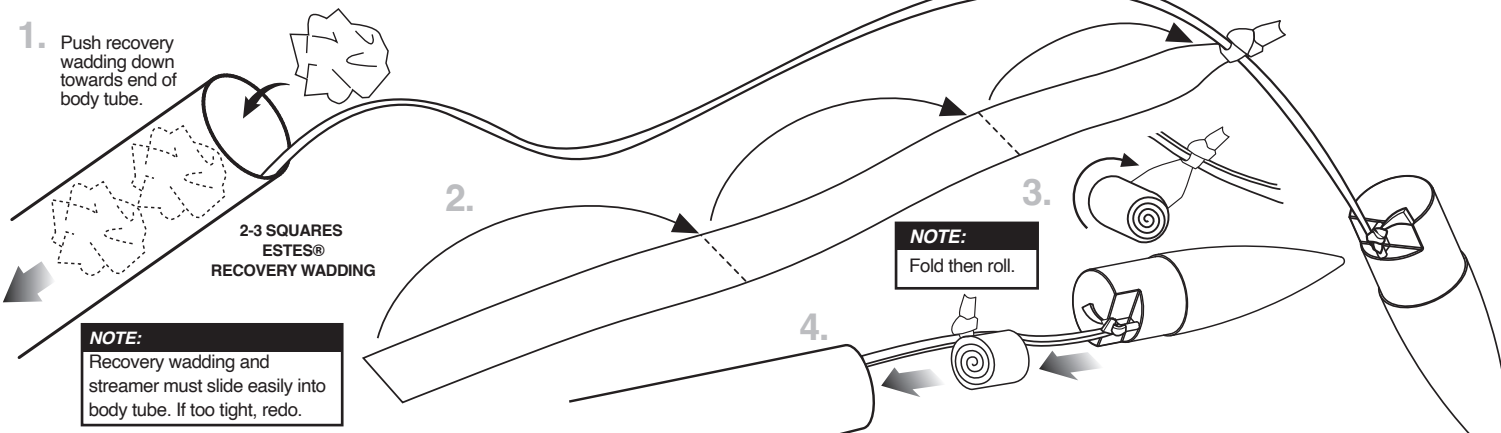
## APPLY DECAL



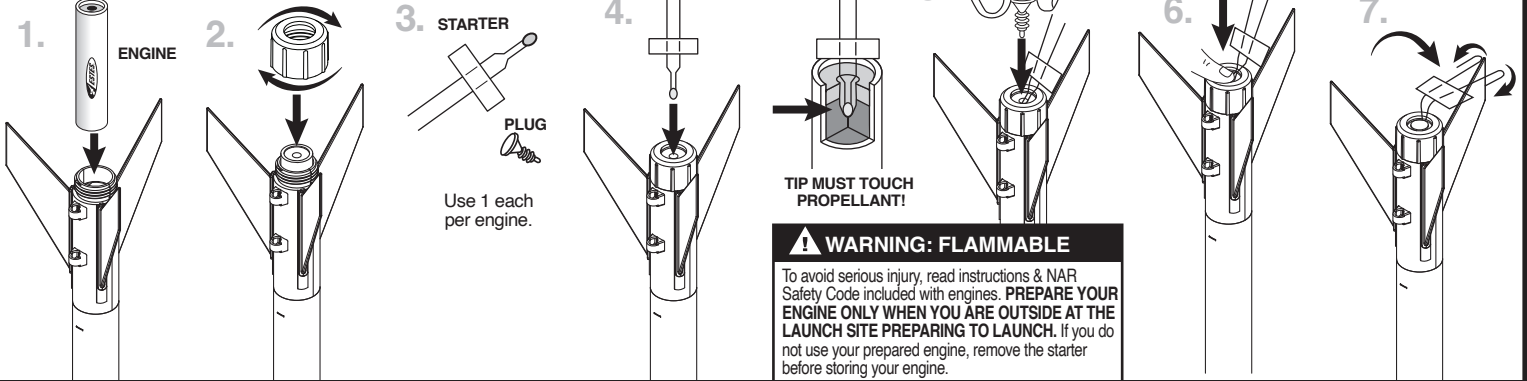
## ATTACH THE NOSE CONE AND STREAMER



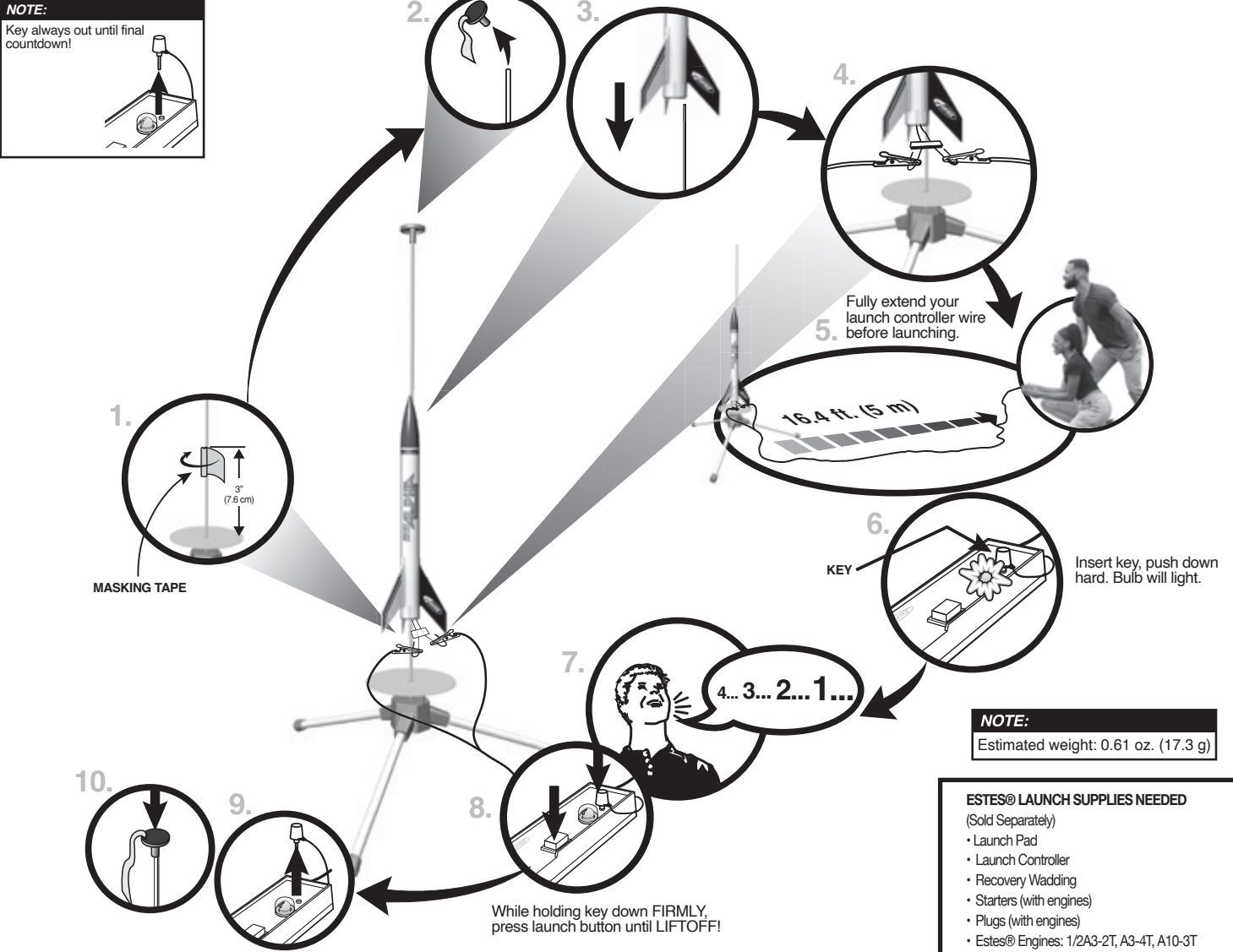
## PREPARE FLIGHT RECOVERY



## PREPARE ENGINE



## COUNTDOWN AND LAUNCH



## PRECAUTIONS



NAR SAFETY CODE



NO DRY GRASS OR WEEDS

**PRE-LAUNCH CHECK** For safety, never launch a damaged rocket. Check the rocket's body, nose cone and fins. Also, check the engine mount, recovery system and launch lug(s). Repair any damage before launching the rocket.

**FLYING YOUR ROCKET** Choose a large field (500 ft. [152 m] square) free of dry weeds and brown grass. The larger the launch area, the better your chance of recovering your rocket. Launch only with little or no wind and good visibility. Always follow the National Association of Rocketry (NAR) SAFETY CODE (enclosed).

**MISFIRES TAKE THE KEY OUT OF THE CONTROLLER. WAIT ONE MINUTE BEFORE GOING NEAR THE ROCKET.** Disconnect the micro-clips and remove the engine. Take the plug and starter out of the engine. A burned starter means the starter tip was not touching engine propellant. Install a new starter; be sure the tip is touching propellant inside the engine. Push the plug in place. Repeat steps under Countdown and Launch.