

1/10 SCALE ELECTRIC COMPETITION R/C OFF-ROAD 4WD RACING MACHINE

# YOKOMO

# YZ-10

CHASSIS ASSEMBLY INSTRUCTIONS

#9064

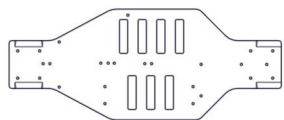


**ae ASSOCIATED ELECTRICS**  
Since 1964

**TEAM YOKOMO**

# 1. Chassis & Center support & Gearbox installation

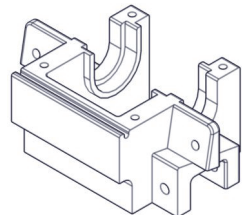
Bag # 1 Contents



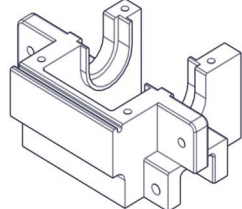
Main chassis X1



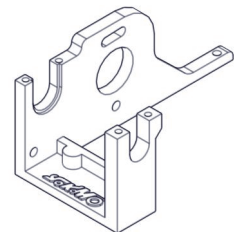
Center support X1



Gear boxcase\_F X1



Gear box case\_R X1



Center Diff seat X1

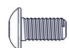

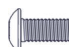
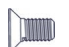
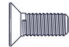
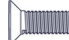


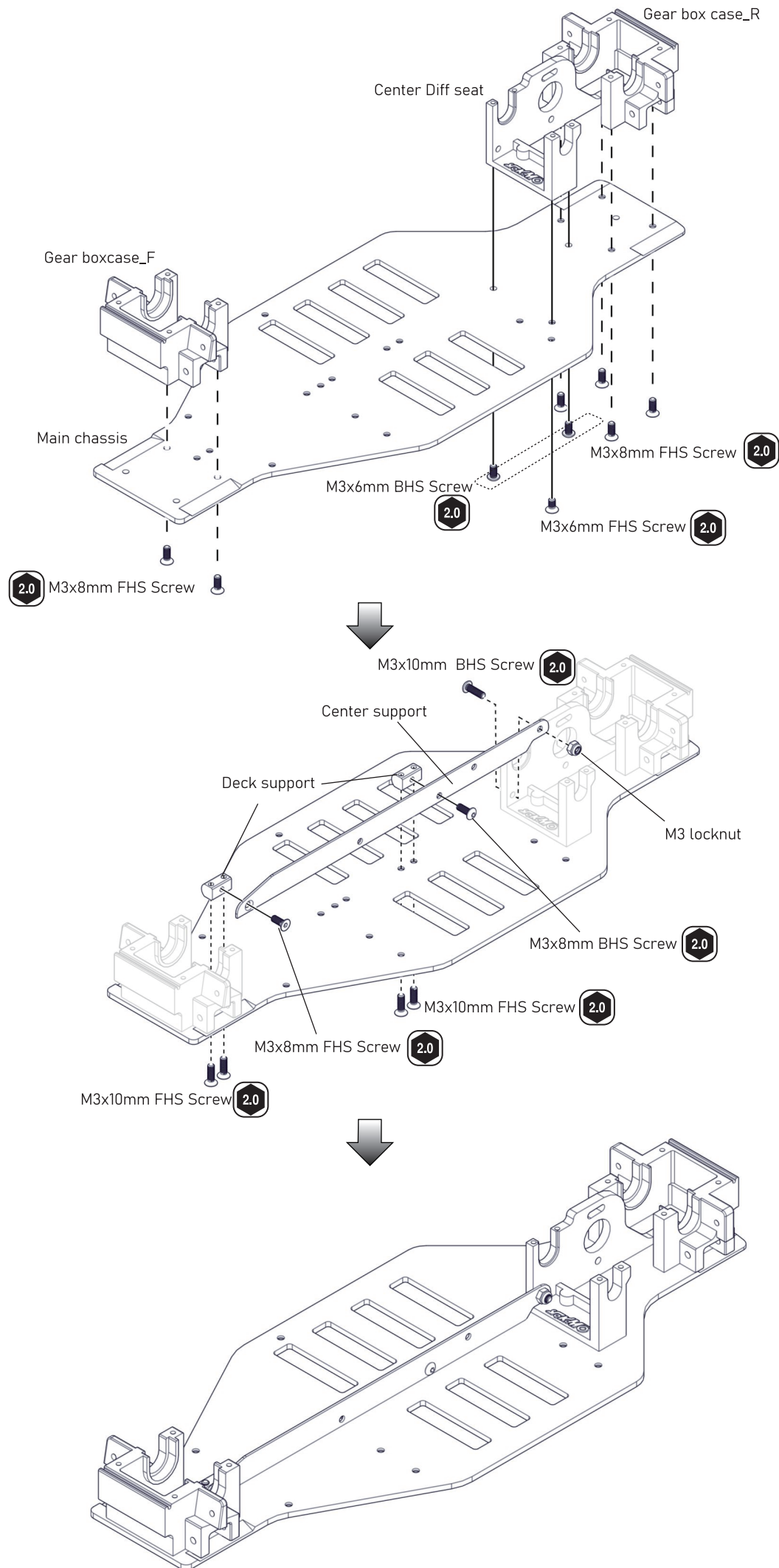
Deck support X2



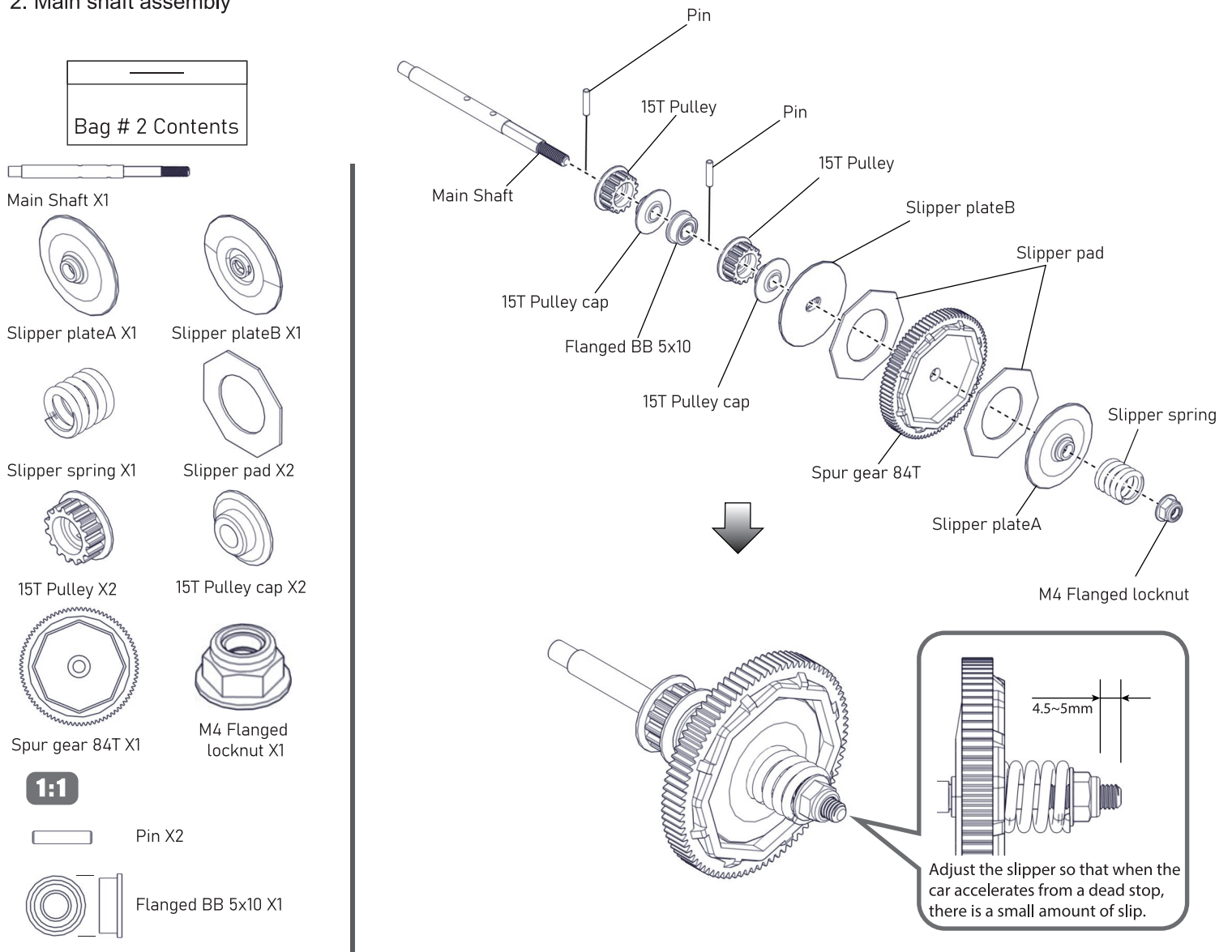
M3 locknut X1

1:1

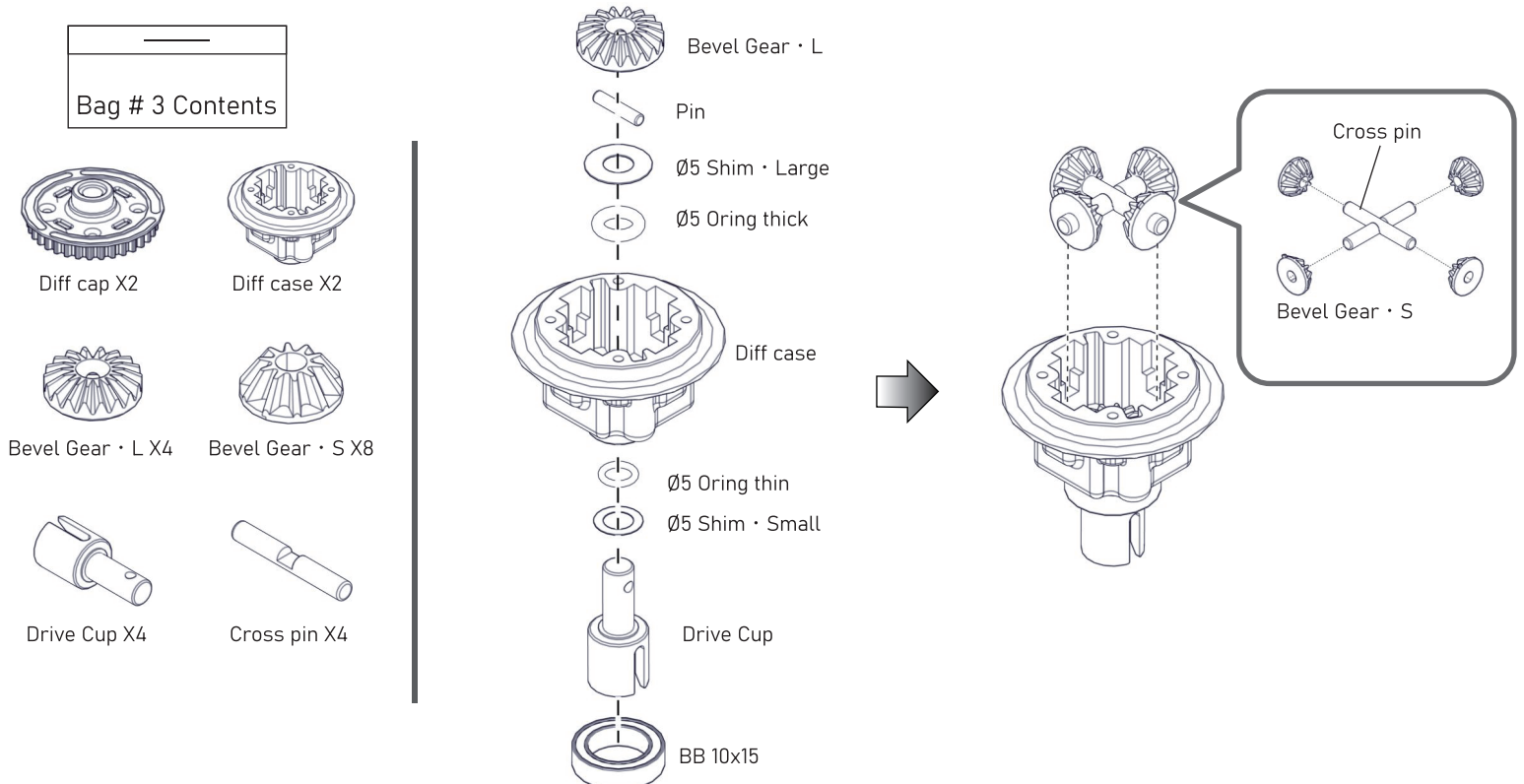
-  M3x6mm BHS Screw X2
-  M3x8mm BHS Screw X1
-  M3x10mm BHS Screw X1
-  M3x6mm FHS Screw X1
-  M3x8mm FHS Screw X7
-  M3x10mm FHS Screw X4



## 2. Main shaft assembly



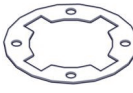








## 3. Front / Rear Diff. assembly

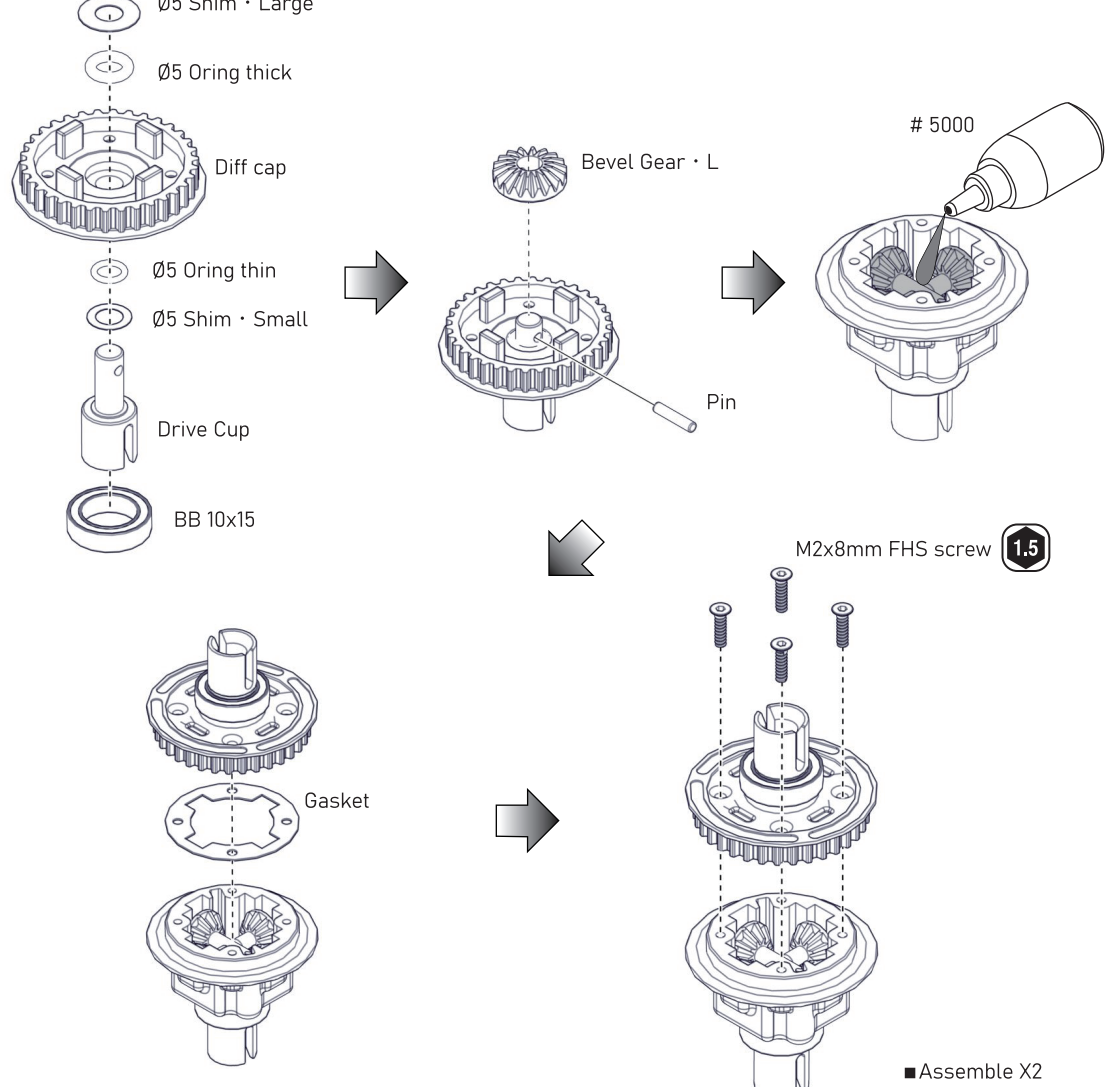




### 3. Front / Rear Diff. assembly

**Bag # 3 Contents**

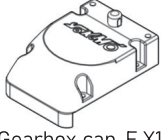
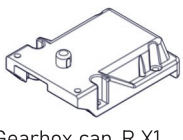
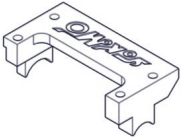

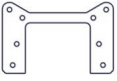
-  Gasket X2
-  Ø5 Shim · Large X4
-  Ø5 Shim · Small X4
-  Ø5 Oring thick X4
-  Ø5 Oring thin X4
- 1:1**
-  Pin X4
-  BB 10x15 X4
-  M2x8mm FHS screw X8
-  Silicon Oil

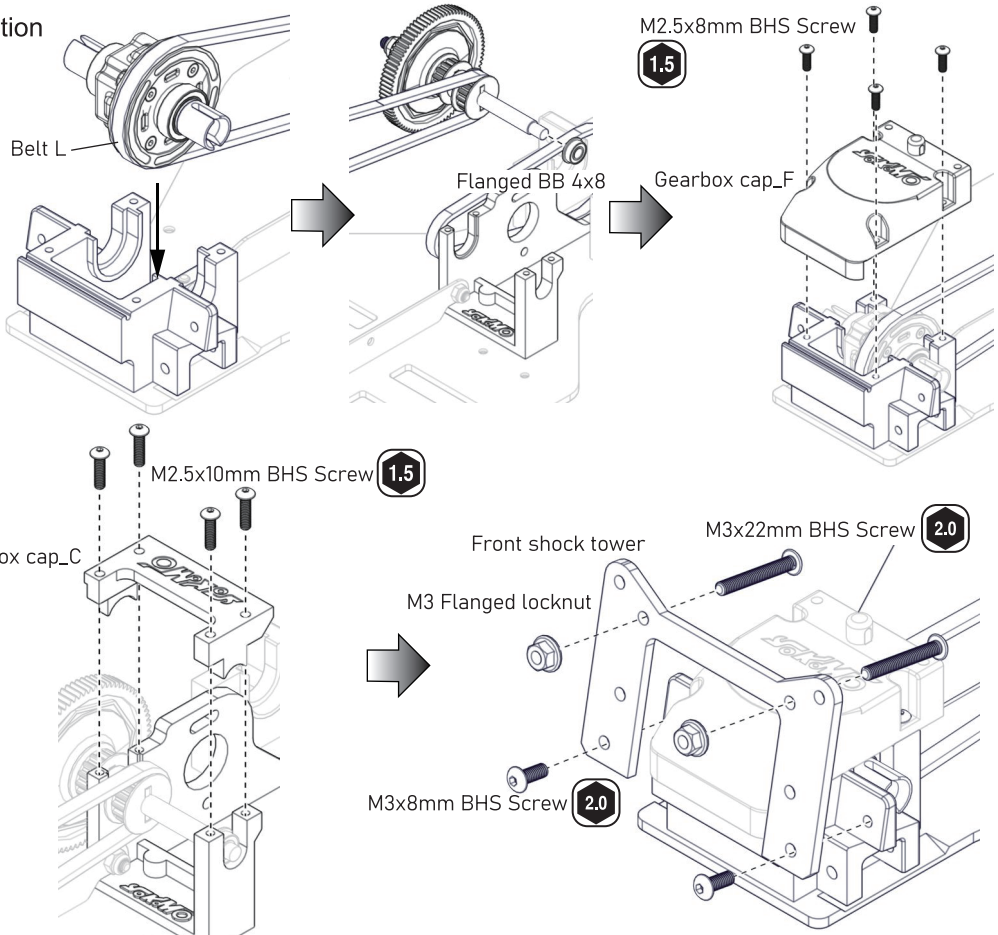


Ø5 Shim · Large  
Ø5 Oring thick  
Diff cap  
Ø5 Oring thin  
Ø5 Shim · Small  
Drive Cup  
BB 10x15  
Bevel Gear · L  
Pin  
# 5000  
M2x8mm FHS screw **1.5**  
Gasket  
Assemble X2

### 4. Front / Rear Diff & Gearbox cap installation

**Bag # 4 Contents**

-  Gearbox cap\_F X1
-  Gearbox cap\_R X1
-  Gearbox cap\_C X1
-  Belt L X1
-  Front shock tower X1

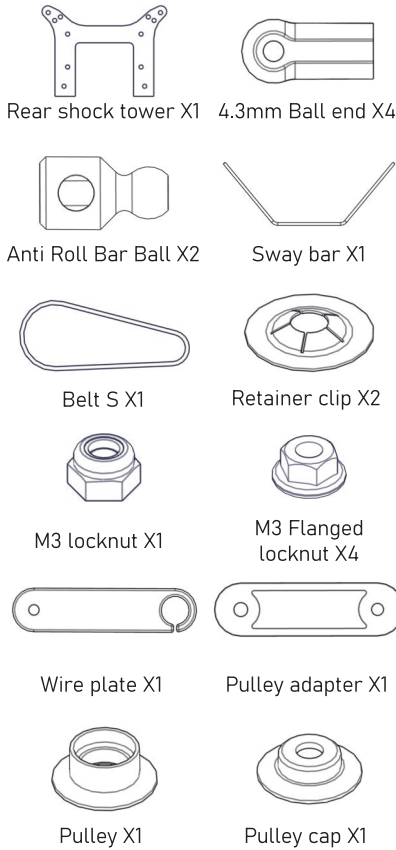


Belt L  
Flanged BB 4x8  
Gearbox cap\_F  
M2.5x8mm BHS Screw **1.5**  
Gearbox cap\_C  
M2.5x10mm BHS Screw **1.5**  
Front shock tower  
M3x22mm BHS Screw **2.0**  
M3 Flanged locknut  
M3x8mm BHS Screw **2.0**

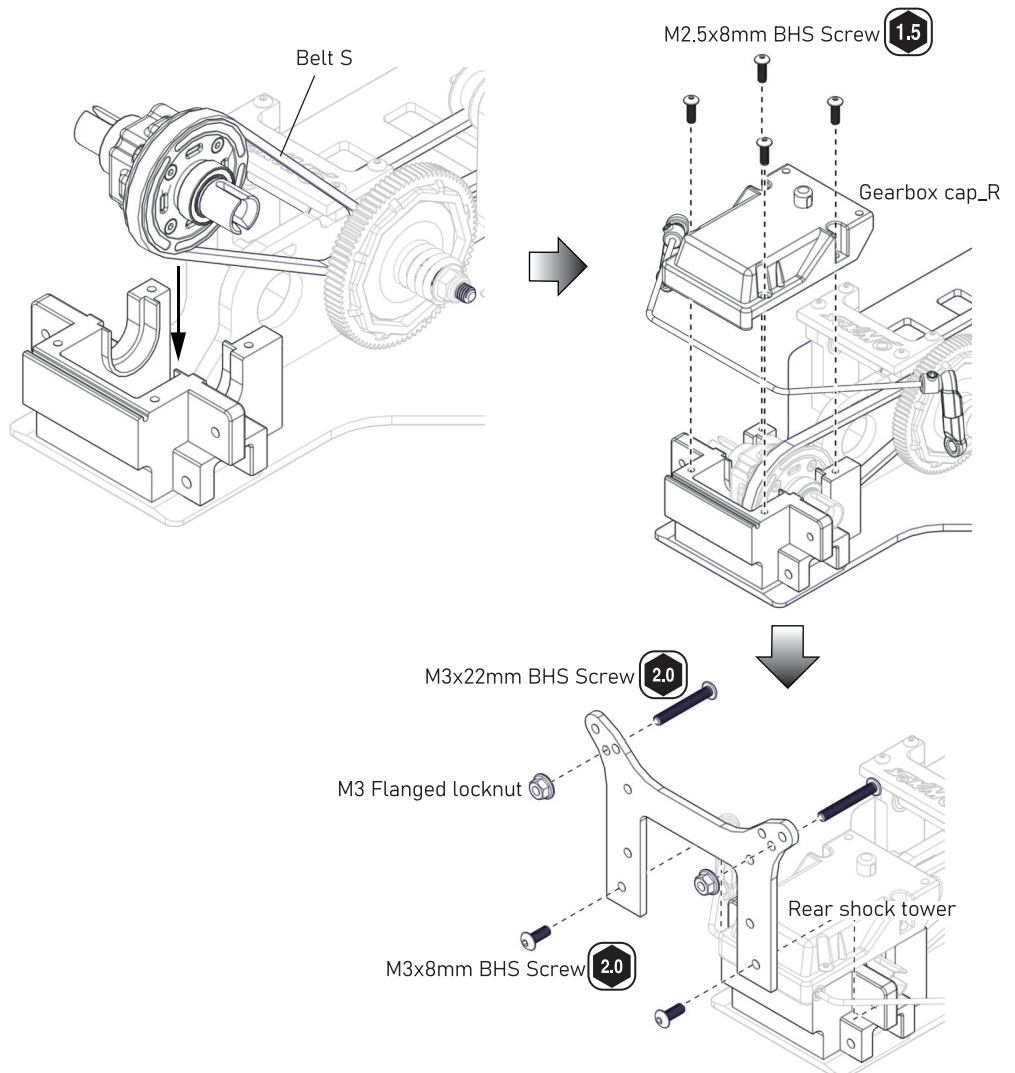
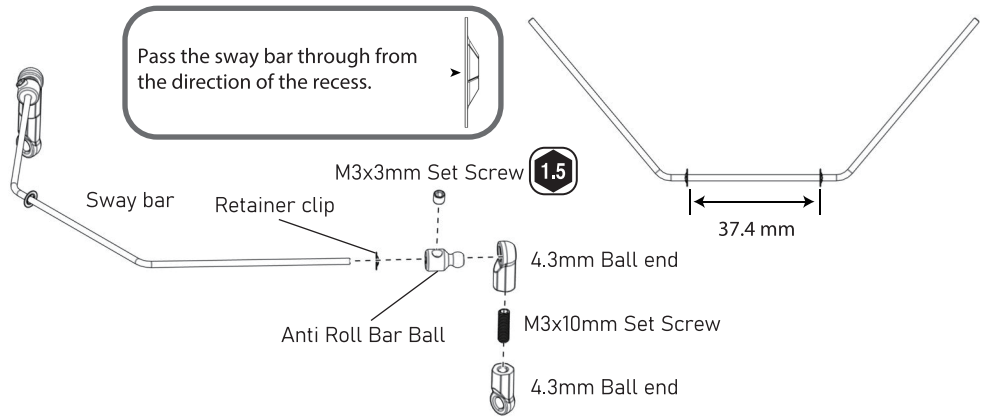
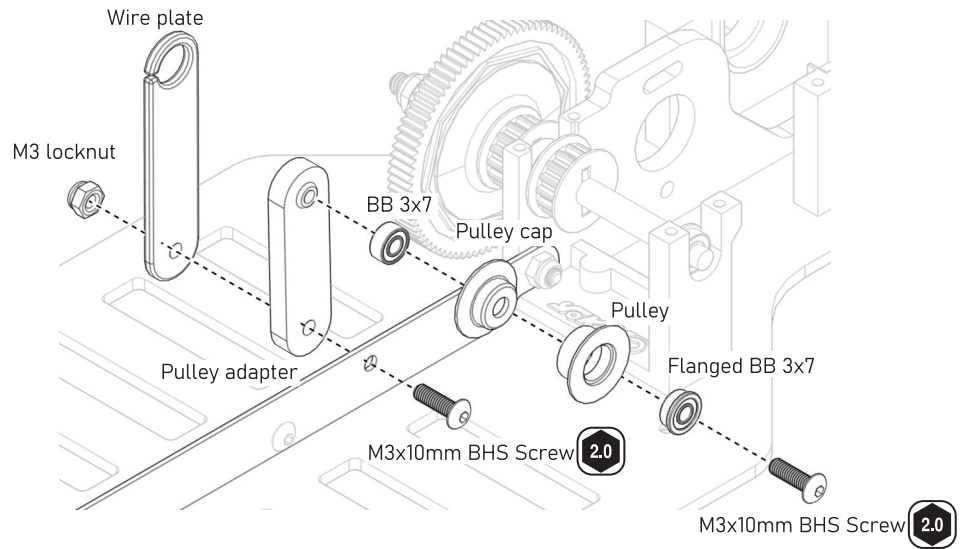
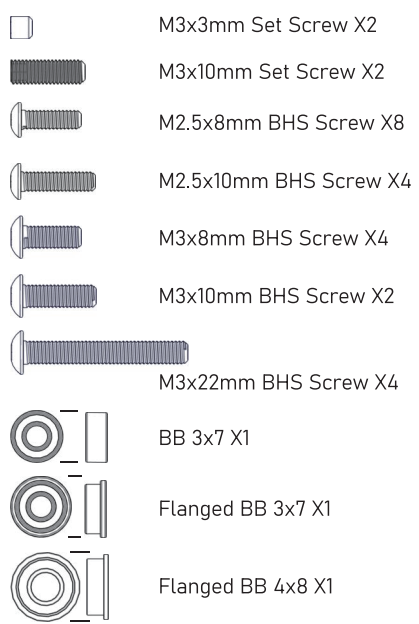


#### 4.Front / Rear Diff & Gearbox cap installation

Bag # 4 Contents

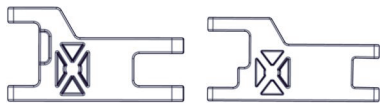


1:1

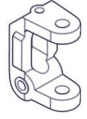


# 5. Front / Rear Sus. arm installation

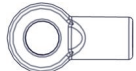
Bag # 5 Contents



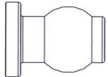
Front Sus. arm X2 Rear Sus. arm X2



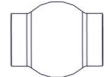
C hub X2



Ball cap · L X8



Ball · L X6



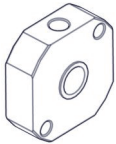
Ball · S X2



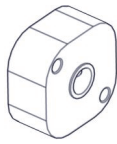
Driveshaft X4



E clip X16



Wheel Hub\_R X2



Wheel Hub\_F X2

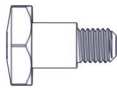


Outer Sus. arm pin X4

Inner Sus. arm pin X4



Wheel Hub Carrier X2 L & R Ea



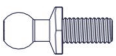
King pin screw X4



Turnbuckle M3x35 X4



M3 locknut X6



Ball stud screw X2

1:1



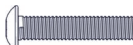
Ø3 Spacer X4



M4x6mm Set Screw X4



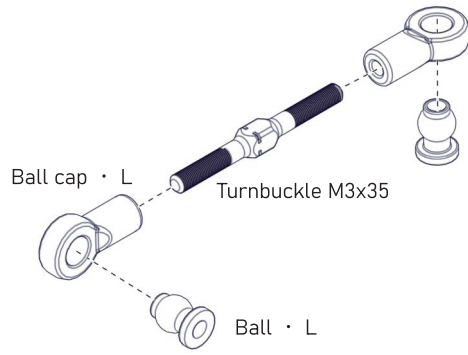
M3x15mm BHS Screw X4



M3x16mm BHS Screw X4



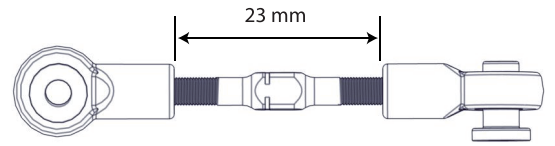
Flanged BB 5x10



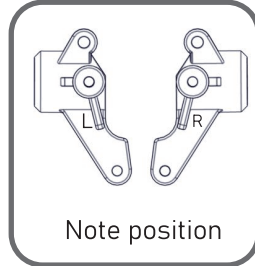
Ball cap · L

Turnbuckle M3x35

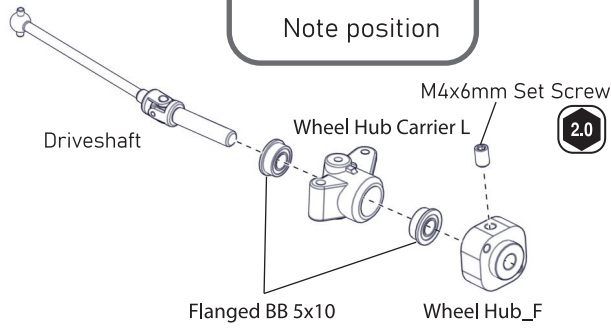
Ball · L



23 mm



Note position



Driveshaft

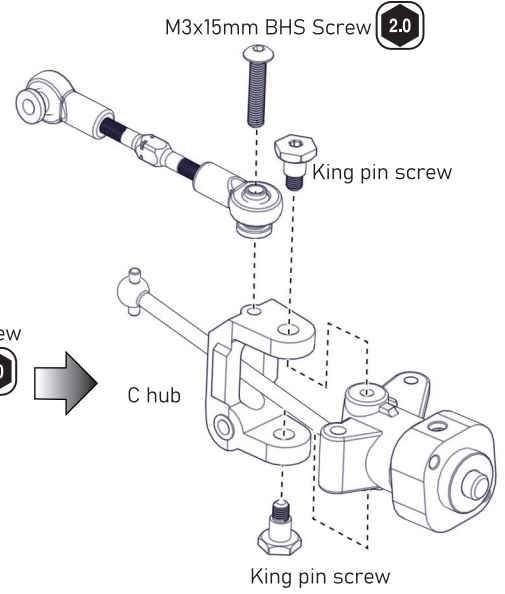
Wheel Hub Carrier L

M4x6mm Set Screw

2.0

Flanged BB 5x10

Wheel Hub\_F



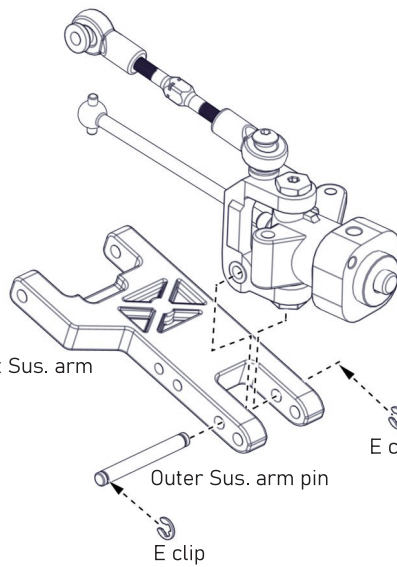
M3x15mm BHS Screw

2.0

King pin screw

C hub

King pin screw

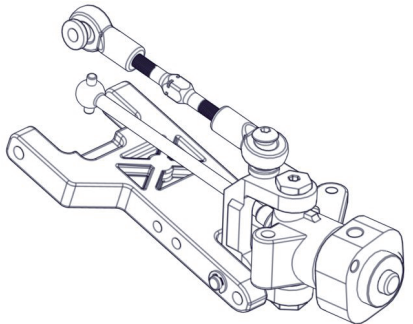


Front Sus. arm

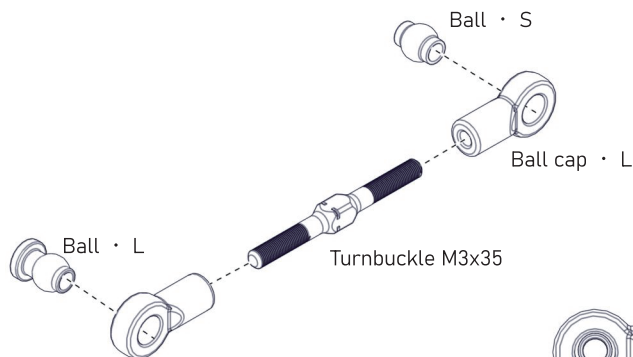
E clip

Outer Sus. arm pin

E clip



Assemble the right side in the same manner.

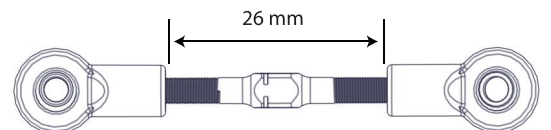


Ball · S

Ball cap · L

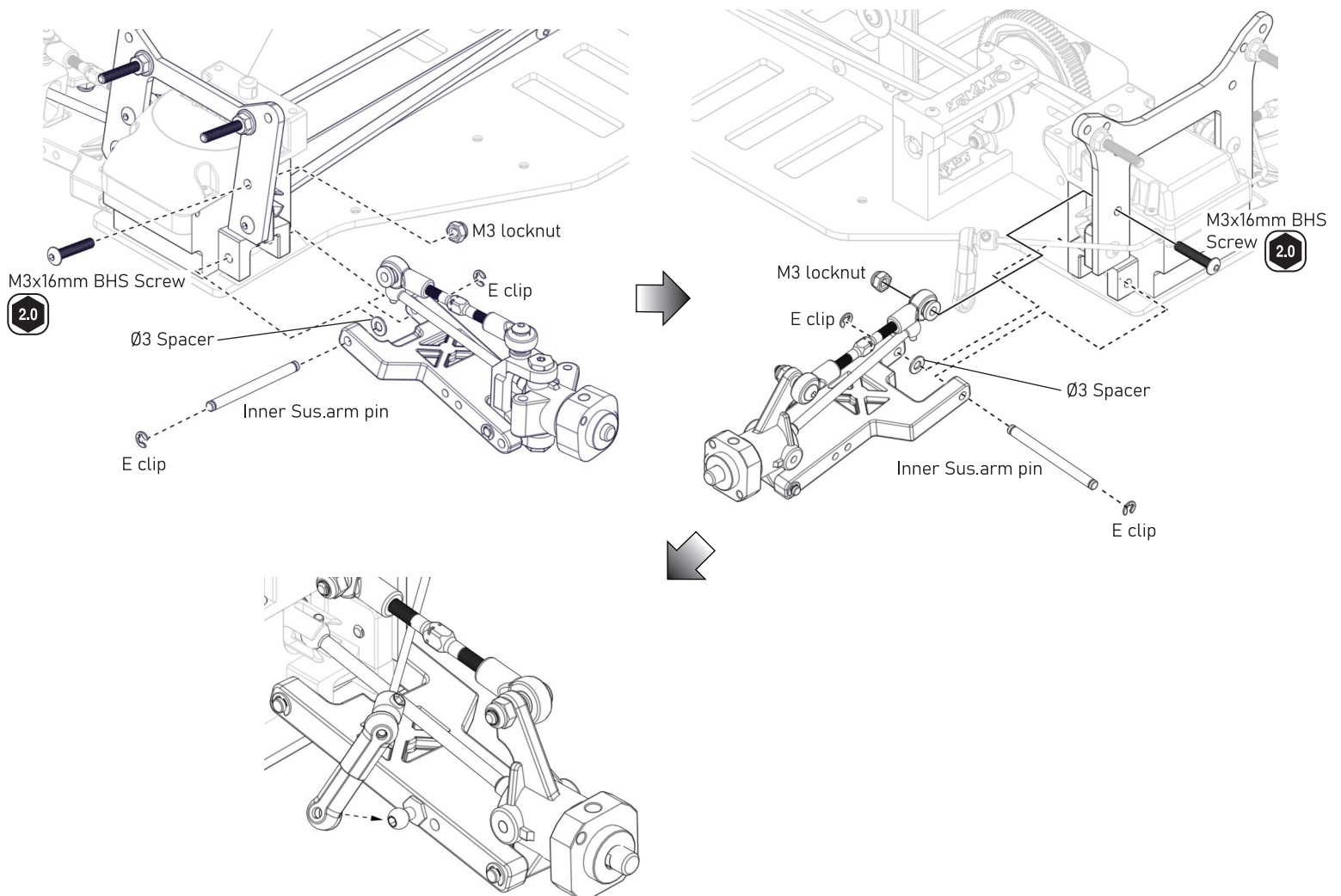
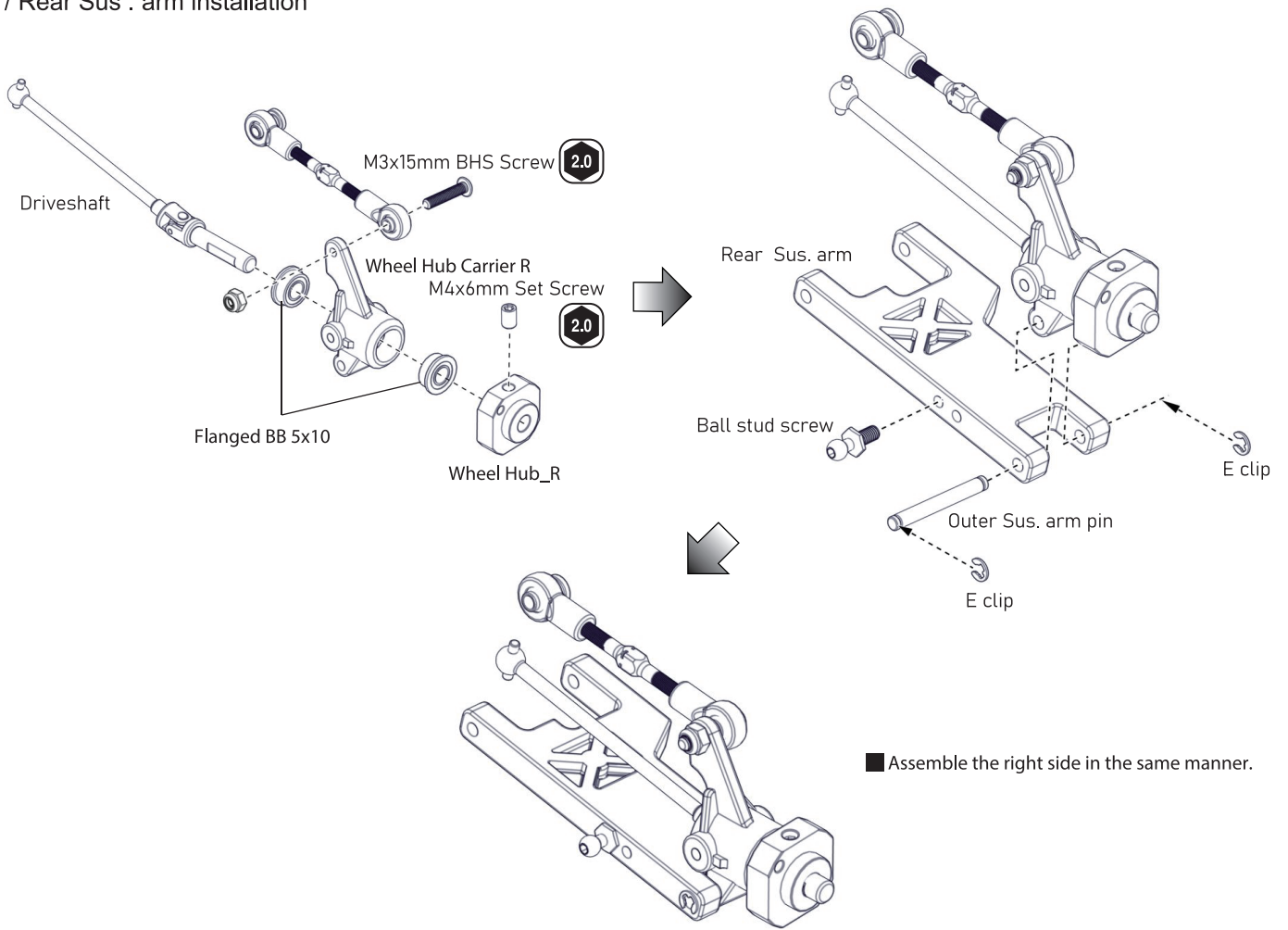
Ball · L

Turnbuckle M3x35



26 mm

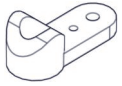
## 5.Front / Rear Sus . arm installation





## 6. Steering system installation

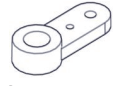
Bag # 6 Contents



Servo saver arm A X1



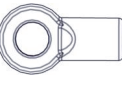
Servo saver arm B X1



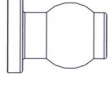
Servo saver arm C X1



Servo saver tube X1



Ball cap · L X6



Ball · L X4



Servo saver post A X1



Servo saver post screw X1



Servo saver post B X1



Servo saver nut X1



Turnbuckle M3x30 X1



Turnbuckle M3x35 X2



Steering linkage X1



5.8 Ball stud screw X1



Servo saver spring X1

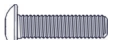


M3 locknut X4



Ø3 Washer X2

1:1



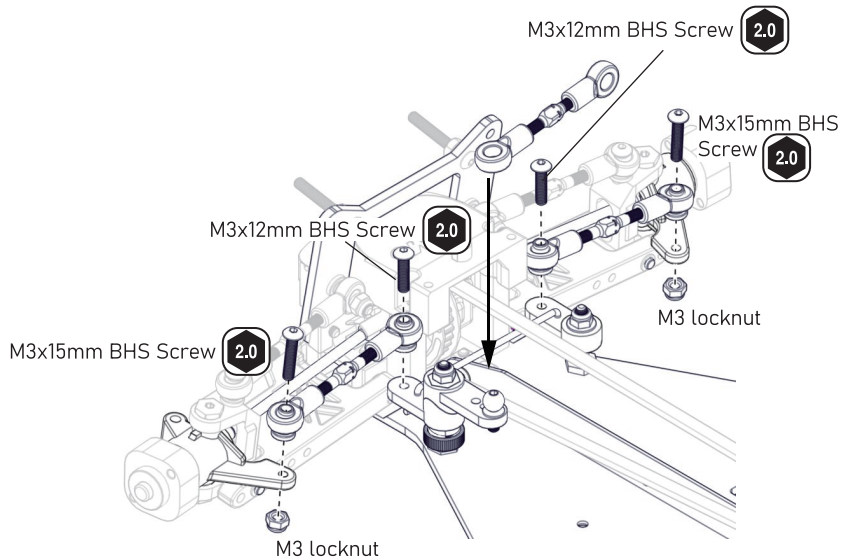
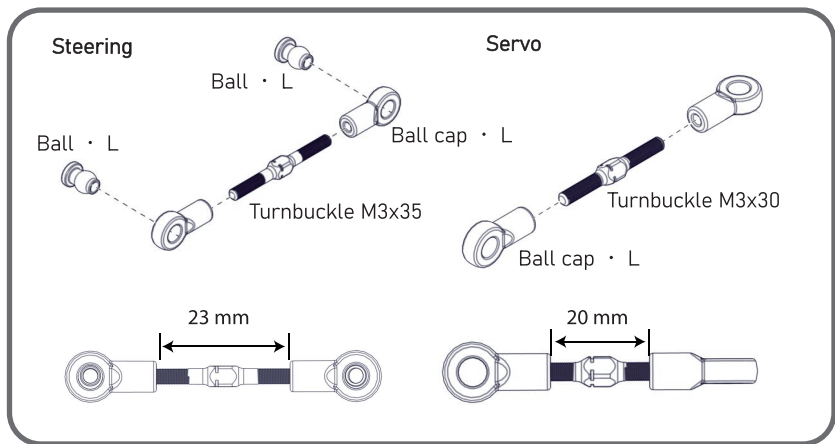
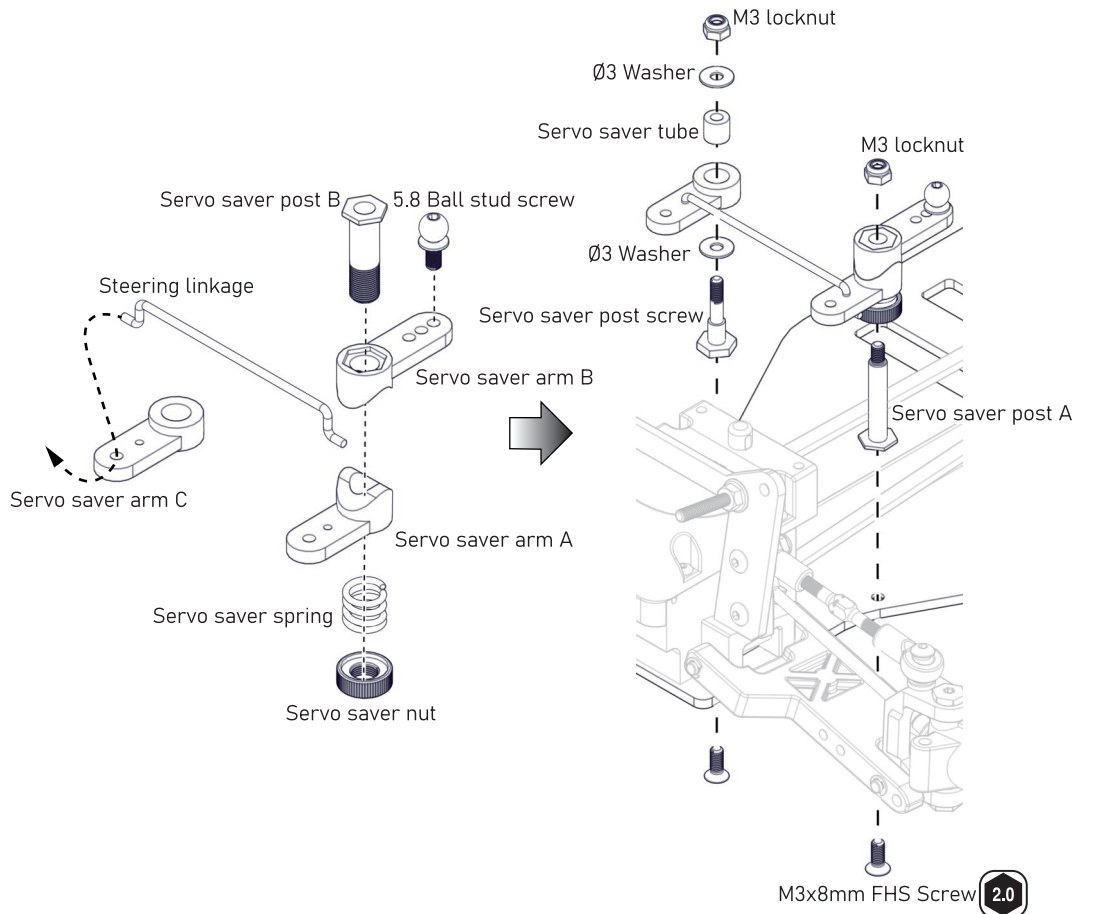
M3x12mm BHS Screw X2



M3x15mm BHS Screw X2

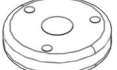


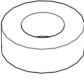
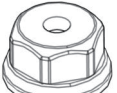


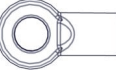
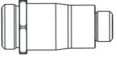
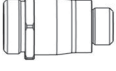






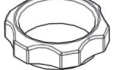




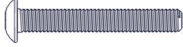


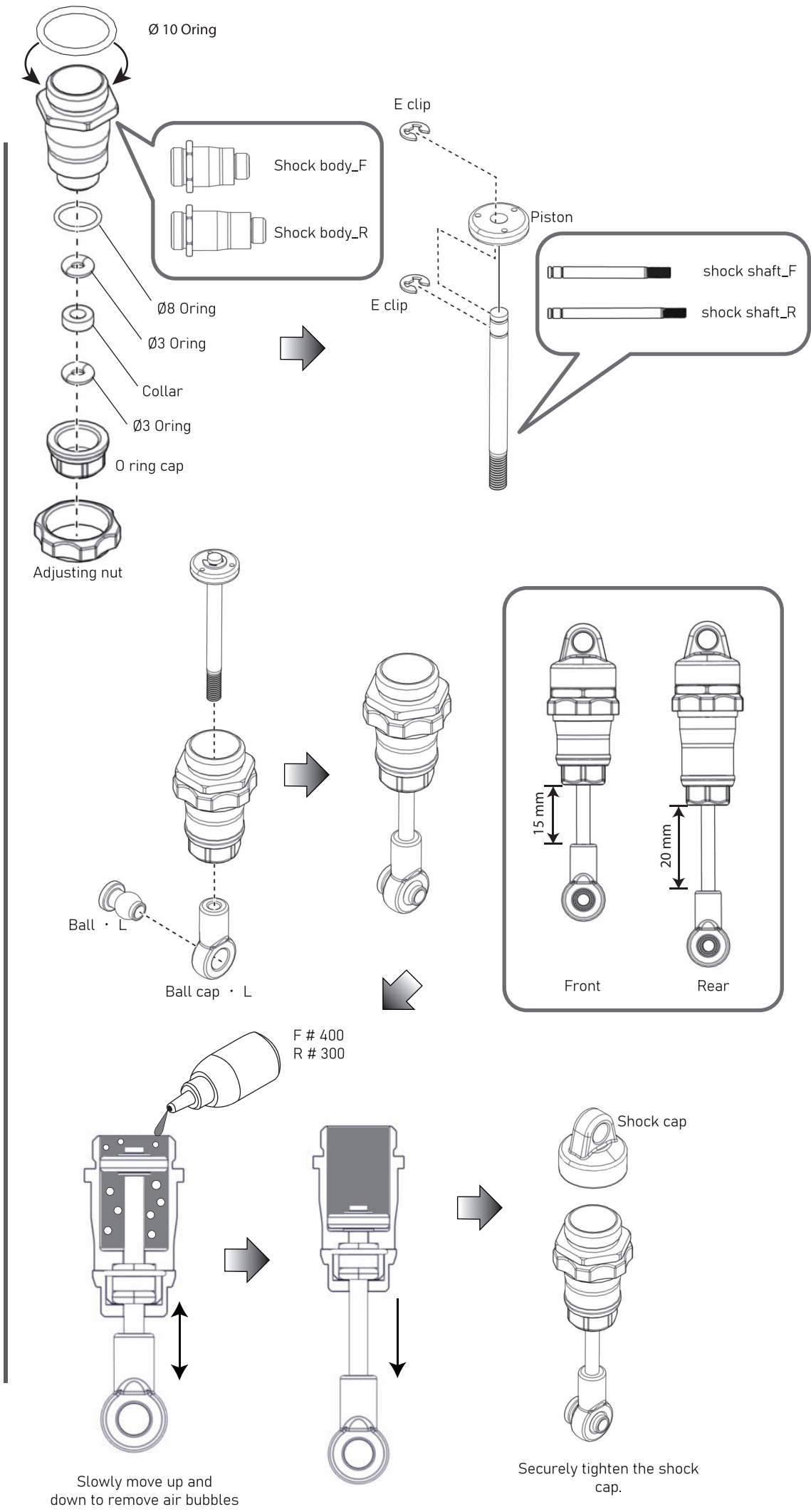
M3x8mm FHS Screw X2



# 7.Front / Rear Shock Assembly

Bag # 7 Contents

-  Piston X4
-  Spring cup X4
-  Ø3 Spacer X4
-  Collar X4
-  O ring cap X4
-  Shock cap X4
-  Ball · L X4
-  Ball cap · L X4
-  Shock body\_R X2
-  Shock body\_F X2
-  shock shaft\_R X2
-  shock shaft\_F X2
-  Shock spring\_R X2
-  Shock spring\_F X2
-  Ø8 Oring X4
-  Ø10 Oring X4
-  Adjusting nut X4
-  E clip X8
-  M3 locknut X4
-  Ø3 Oring X8
-  Shock adapter X4
-  M3x22mm BHS Screw X4







## 8. Electronic system installation

### Bag # 8 Contents



Antenna mount X1



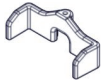
21T Pinion Gear X1



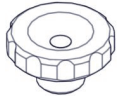
Antenna tube X1



Dust cap X1



Battery seat X2



Battery nut X2



Battery plate X1



Oring Ø3 X2

**1:1**



M3x3mm Set Screw X1



M3x16mm Set Screw X2



M3x5mm BHS Screw X4



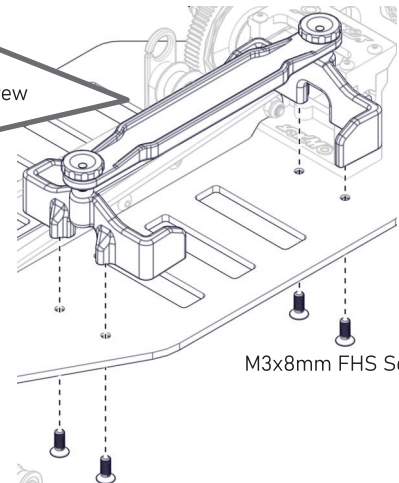
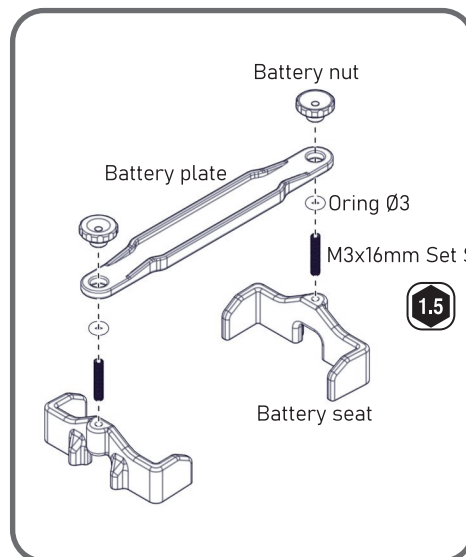
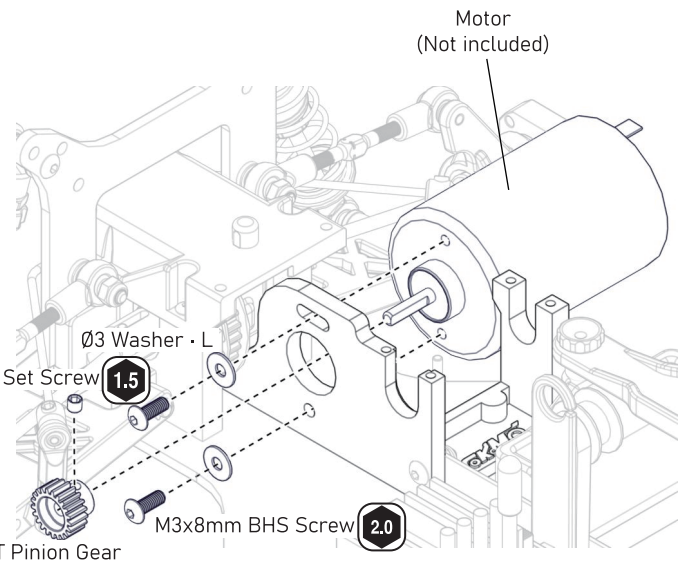
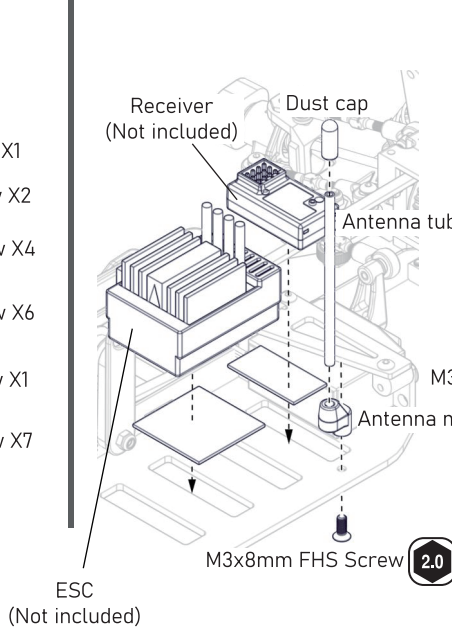
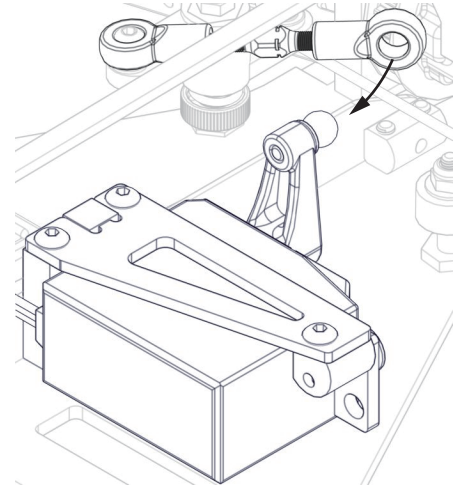
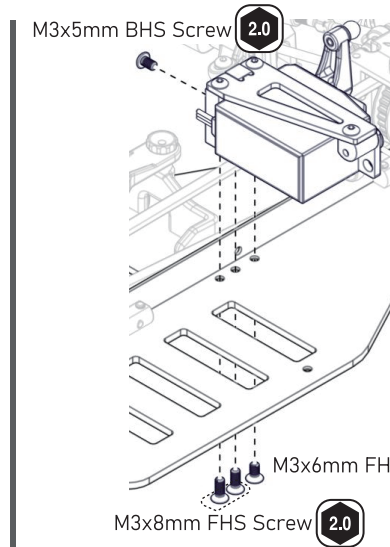
M3x8mm BHS Screw X6



M3x6mm FHS Screw X1



M3x8mm FHS Screw X7



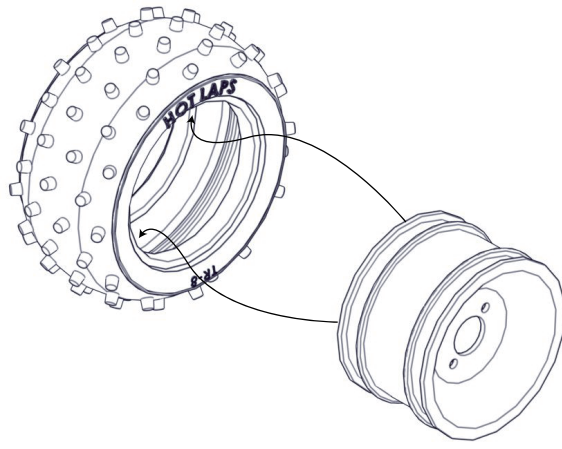
# 9.Wheel & Tire installation

Bag # 9 Contents

1:1

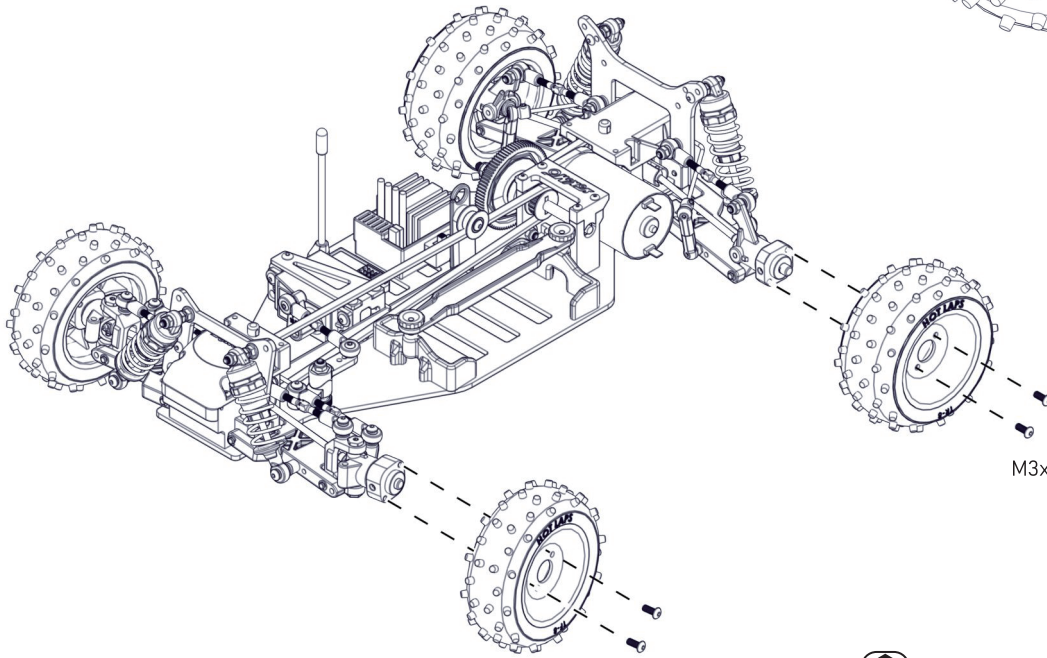
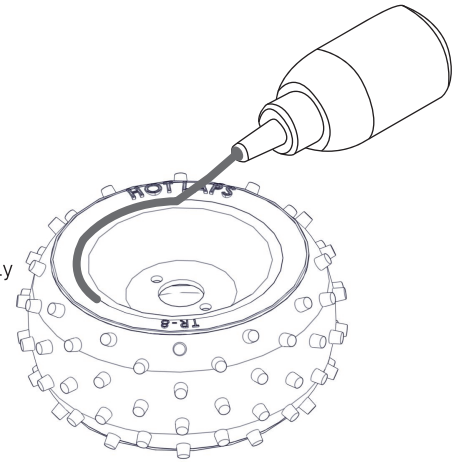


M3x8mm BHS Screw X8



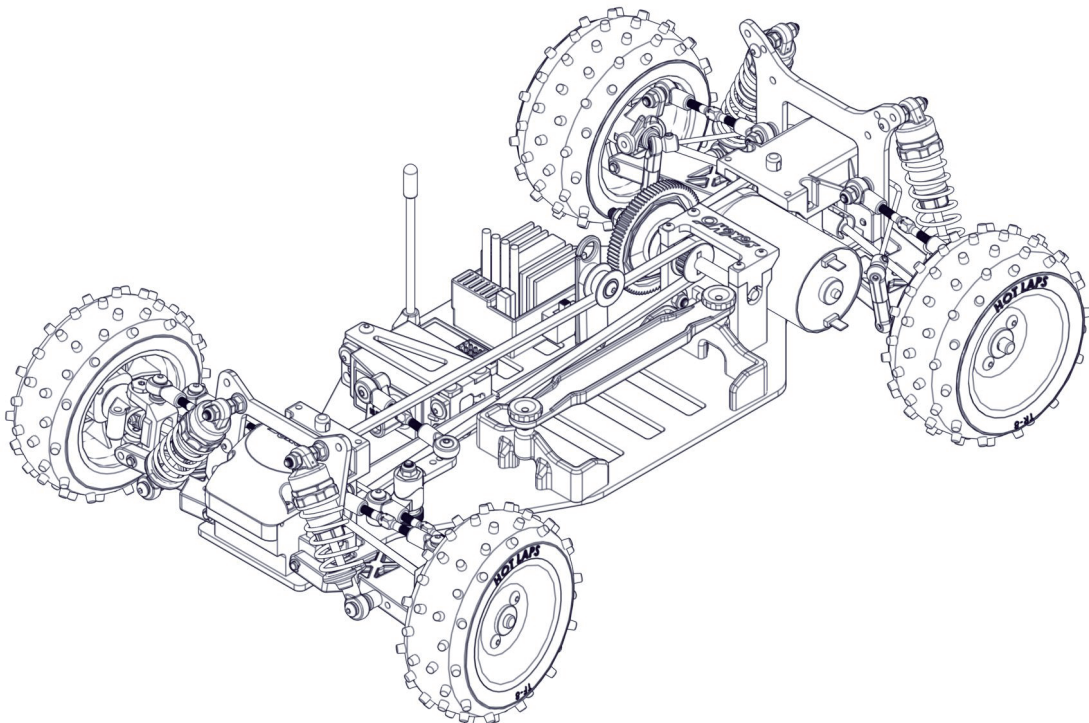
CA(Cyanoacrylate) glue sold separately

Pull the sidewall of the tire slightly away from the rim and apply CA(Cyanoacrylate) glue in between the tire bead and rim.



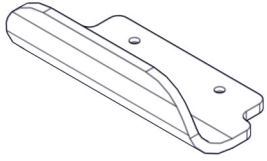
M3x8mm BHS Screw 2.0

M3x8mm BHS Screw 2.0



# 10.Body & Rear wing & Tray installation

Bag # 10 Contents



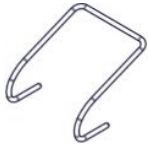
Front bumper X1



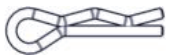
Rear wing spacer X2



Rear wing post X2



Rear wing support X1



R clip X2

1:1



M3x6mm Set Screw X2



M3x5mm BHS Screw X2



M3x6mm BHS Screw X1

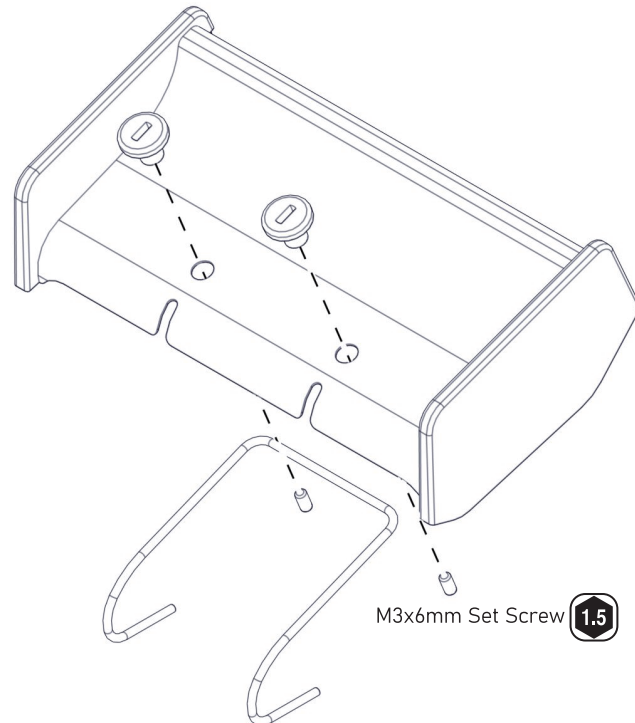
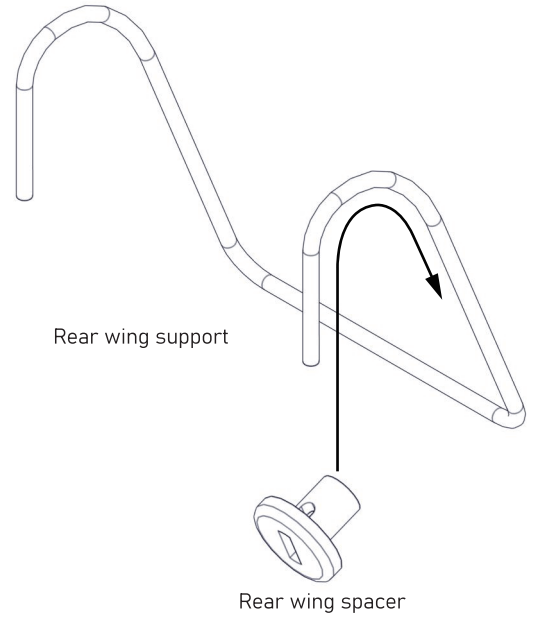
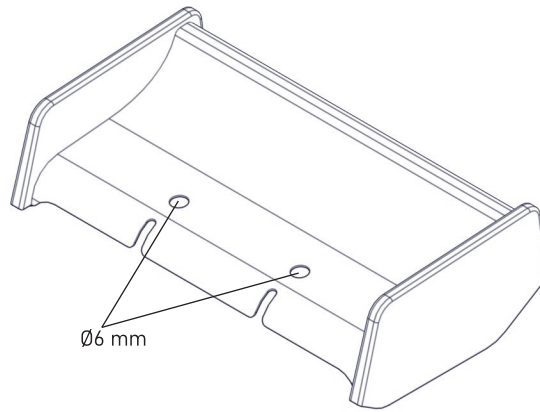
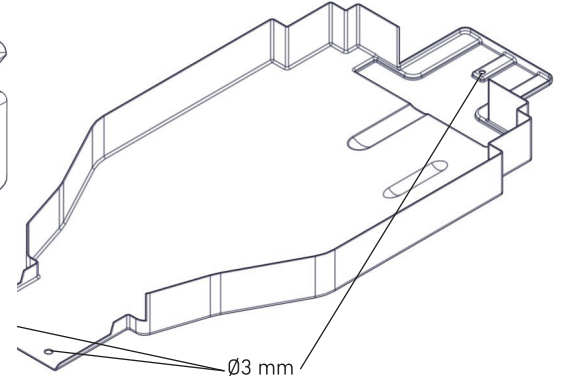
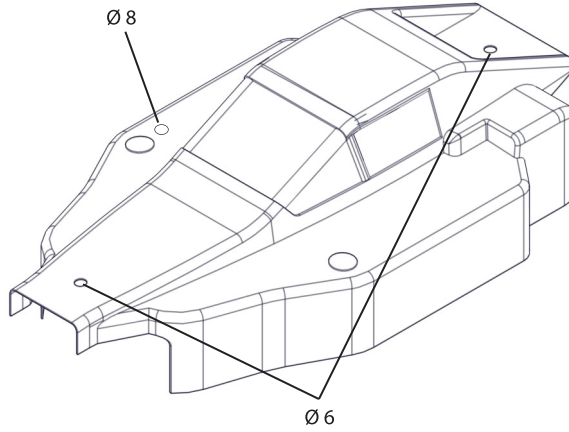


M3x8mm BHS Screw X2



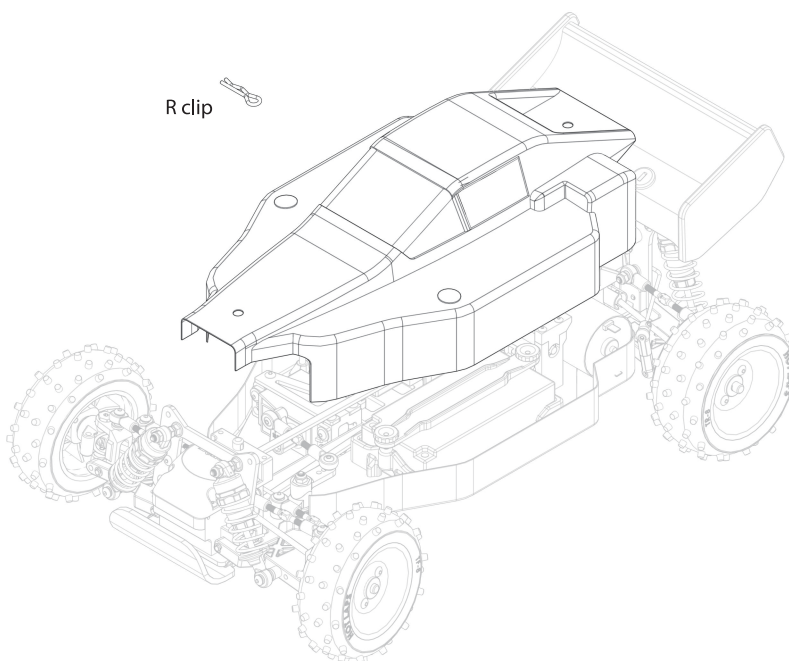
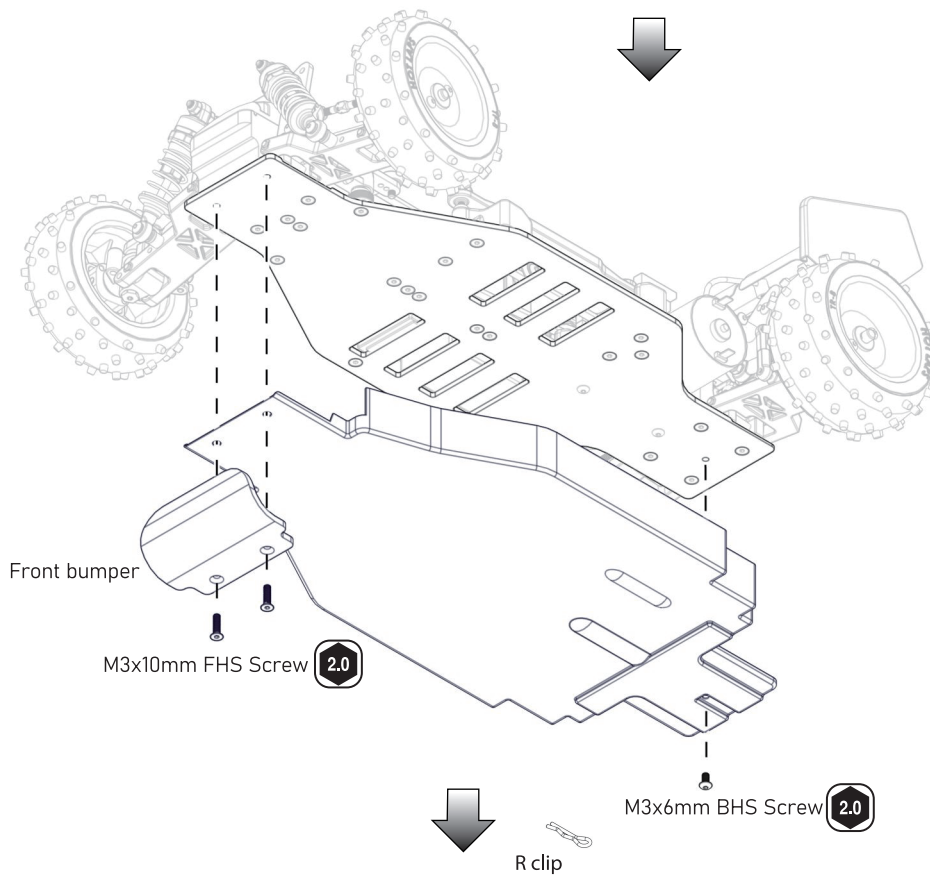
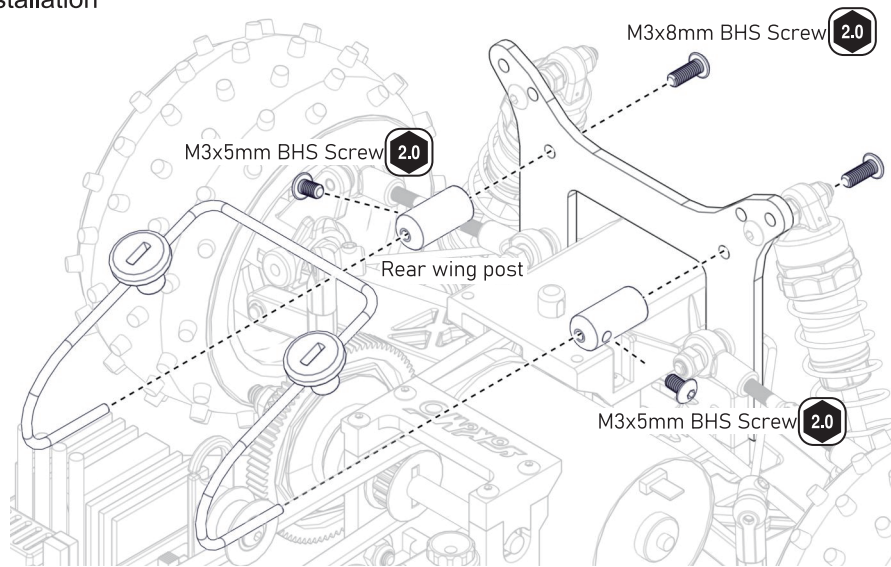
M3x10mm FHS Screw X2

※When cutting the body, please check it on conjunction with the chassis in clear state.  
 ※Fit the body and chassis with spur gear as a reference.  
 ※The bundled car body shell and wing is different from the illustration.  
 Please refer the illustration as an example of car body.





# 10.Body & Rear wing & Tray installation







**AE ASSOCIATED ELECTRICS**  
21062 Bake Parkway, Lake Forest, CA USA, 92630  
[www.AssociatedElectrics.com](http://www.AssociatedElectrics.com)

