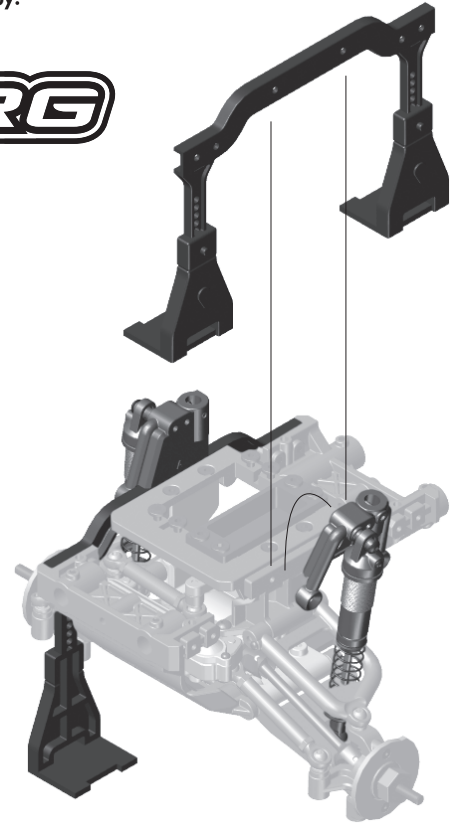
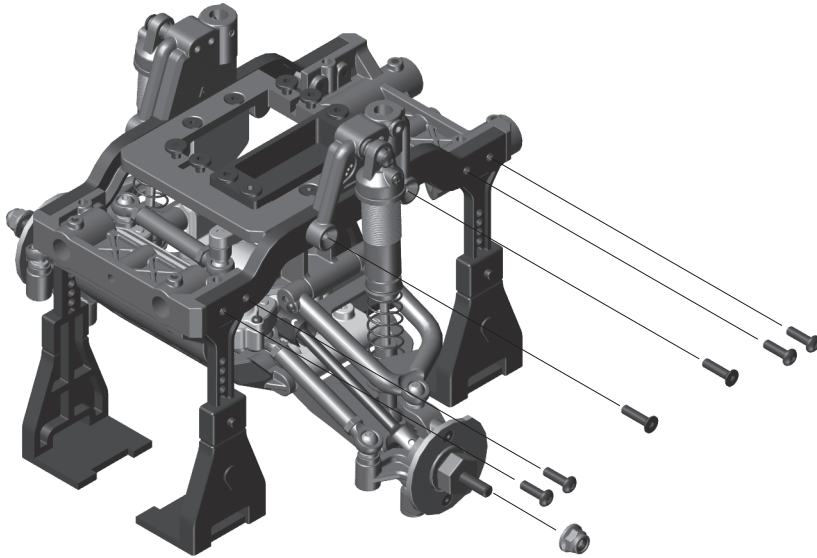


## GATE 01 IFS2 CONVERSION KIT



**NOTE:** Remove the hardware shown for both sides. Pivot the shock and shock mounts to the side. This will allow you to remove the IFSs stands. Save the hardware for installation on your chassis.

Officially Licensed LT Suspension System by:



## GATE 02 IFS2 CONVERSION KIT



**NOTE:** Remove the #31532 3x8mm BHCS that connects the servo horn to the servo blank first. Then remove the LP SHCS and servo blank. Save the hardware for installation on your chassis.



**NOTE:** Install the skid plate with two #25202 3x10mm FHCS. You are now ready to install the IFS to your chassis!

