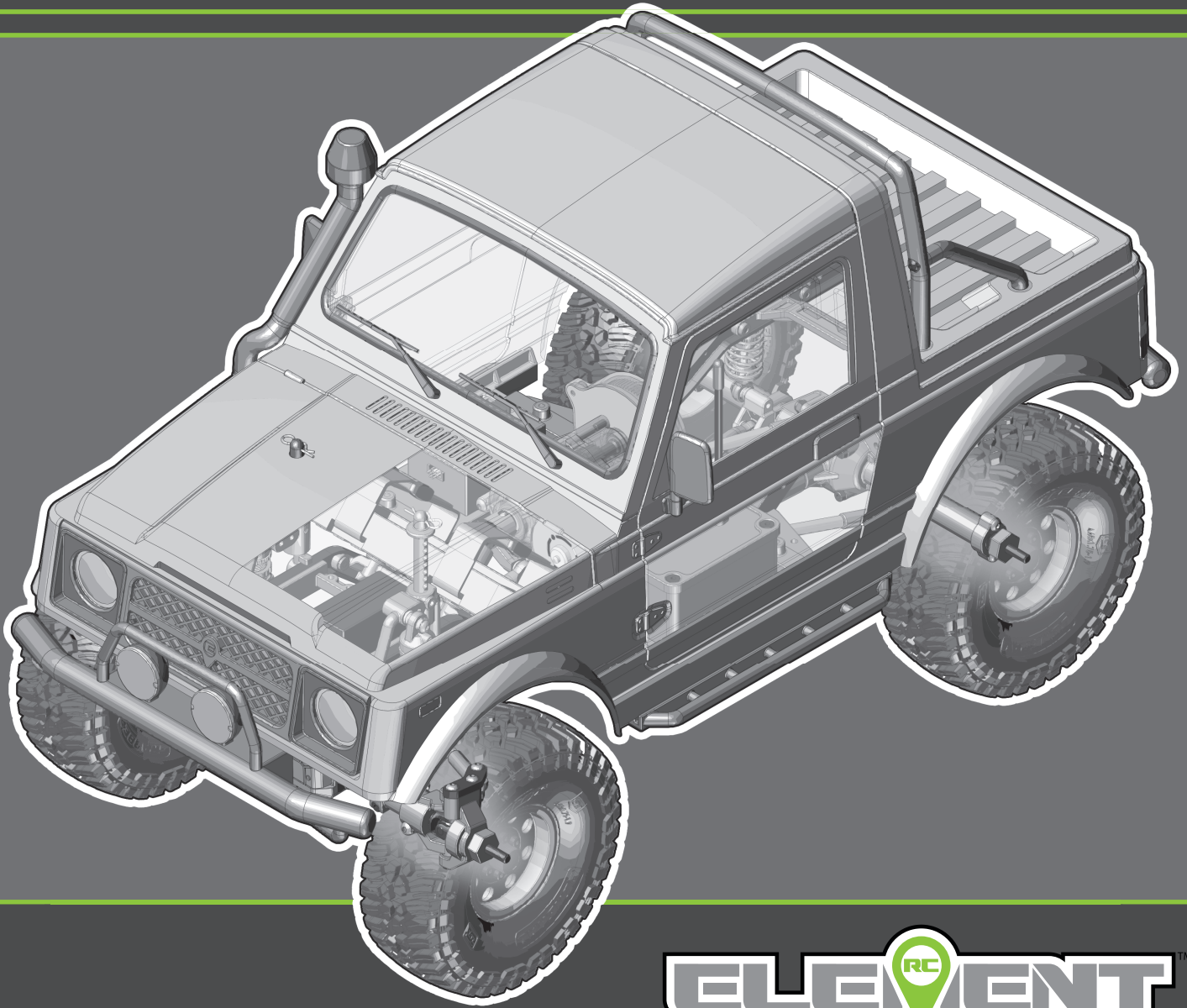


ENDURO

BUSHIDO
OFF-ROAD 4X4



OWNERS BUILD MANUAL





Associated Electrics, Inc.
21062 Bake Parkway
Lake Forest, CA 92630

Customer Service
Tel: 949.544.7500
Fax: 949.544.7501

Follow Us On Social Media



ElementRC



@Element_RC

www.ElementRC.com

AE is a Registered Trademark of Associated Electrics, Inc.

TEAM ASSOCIATED is a Registered Trademark of Associated Electrics, Inc.

REEDY is a Registered Trademark of Associated Electrics, Inc.

FACTORY TEAM is a Registered Trademark of Associated Electrics, Inc.

ELEMENT™ is a Trademark of Associated Electrics, Inc.

AREA 51 is a Registered Trademark of Associated Electrics, Inc.

STEALTH is a Registered Trademark of Associated Electrics, Inc.

GREEN SLIME is a Registered Trademark of Associated Electrics, Inc.

ITEMS NEEDED

The following items are required to build or maintain your Enduro Trail Truck.

- 1.5mm Allen Wrench (#1500)
- 2mm Allen Wrench (#1501)
- 2.5mm Allen Wrench (#1503)
- Pliers
- Long Nose Pliers
- 5.5mm Nut Driver (#1507)
- 7mm Nut Driver (#1508)

OTHER HELPFUL ITEMS

The following items aren't required, but will aid in the building and maintaining of your Enduro Trail Truck.

- Threadlock (#1596)
- Green Slime (#1105)

Your journey begins here.



INTRODUCTION

Thank you for purchasing this Element RC product. This assembly manual contains instructions and tips for building and maintaining your new Enduro chassis. Please take a moment to read through this manual to help familiarize yourself with these steps. We are continually changing and improving our designs; therefore, actual parts may appear slightly different than in the illustrations. New parts will be noted on supplementary sheets located in the appropriate parts bags.

ENDURO TRAIL TRUCK

All in the details. Modeled after the small 1980s 4x4 kei car designs out of Japan, the Bushido features awesome looks on a capable chassis.

The single-piece polycarbonate body comes pre-painted with clear windows and includes a highly-detailed decal sheet along with extra decals for making the Bushido your own. With injection-molded mirrors, grill, wipers, snorkle, bumpers, and rear bed cage for added scale realism, this rig is sure to look great on the trail.

Out of the box, the Bushido Off-Road 4X4 is ready to tackle the elements – your journey begins here!

OFFICIALLY LICENSED TIRES: Gripping the trail is a set of officially licensed General Grabber™ X3 tires molded in a high-performance, soft compound rubber. The General Grabber™ X3 tires are mounted on a set of Element RC Ocho beadlock wheels. No more worrying if your RTR tires will come unglued.

The Enduro Trail Truck comes ready for adventure right out of the box, with performance-driven Reedy Power electronics. The all-new, ultra-smooth and powerful, 16-turn 5-slot brushed crawler motor and Reedy Power SC480X electronic speed controller with T-plug connector, supply ample power to this tough rig. Controlling the beast on the trail is our 3-channel XPI30 2.4GHz radio and Reedy Power high-torque 1320MG metal gear servo.

With all this packed in one box, we know the Enduro Trail Truck is ready for the trail...Are you?

FEATURES

- Stealth X Gearbox with adjustable overdrive gears
- BTA steering [Behind the Axle]
- CMS [Chassis Mounted Servo]
- Integrated servo winch mount
- Adjustable front track bar
- Universal front drive axles
- Stamped steel C-Channel frame rails
- Enclosed receiver box
- 12mm wheel hexes
- Adjustable front and rear bumper mounts
- Adjustable width rock sliders
- Two battery boxes (Shorty and regular size!)
- Threaded aluminum shock bodies
- Aluminum steering plates
- Aluminum motor plate
- Adjustable body posts
- Optimized rod ends for more fluid axle articulation
- Adjustable rear shock mount positions
- Telescopic driveshaft's front and rear
- Extruded aluminum driveshaft splines
- One-piece rear axle design
- Splined front axle with adjustable caster
- Machined input pinion gear
- Metal ring gear
- Machined steel top shaft
- Metal idler gears
- Heavy duty 5mm diameter steel links
- Precision metal ball bearings included
- Steel servo horn
- Licensed 1.9"x4.65" General Grabber X3 tires
- 11.8" (299mm) wheelbase

ELECTRONICS:

- Water resistant 2S-3S LiPo compatible Reedy SC480X brushed electronic speed control with adjustable drag brake and T-plug battery connector
- Smooth and powerful Reedy Crawler 16T 5-slot brushed motor
- XPI30 2.4GHz radio system (3 Channel)
- Reedy high-torque 1320MG metal gear servo (13kg/180 oz.)







BUSHIDO BODY FEATURES:

- Bushido 1-piece body thermoformed in high-strength polycarbonate
- Clear windows
- Injection-molded snorkel, wipers, and pivoting side mirrors
- Injection-molded rear bed cage
- Molded grill
- Adjustable front / rear bumpers












HARDWARE 1:1 SCALE VIEW

HARDWARE USED WITH OPTIONAL REPLACEMENT PART NUMBERS

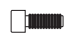





FLAT HEAD SCREWS (FHCS)

	2.5x10mm (31350)
	2.5x14mm (41077)
	3x8mm (25201)
	3x10mm (25202)
	3x12mm (25203)
	3x14mm (89208)

BUTTON HEAD SCREWS (BHCS)

	2.6x10mm (41088) Self Tapping Thread
	3x5mm (31530)
	3x6mm (31531)
	3x8mm (31532) Aluminum (8552)
	3x10mm (25211) Aluminum (8554)
	3x12mm (89202)
	3x14mm (25187)
	3x16mm (89203)
	3x18mm (2308)
	3x20mm (25188)
	3x28mm (41078)



SOCKET HEAD SCREWS (SHCS)

	2x5mm (31511) Aluminum (8566)
	2x8mm (7187)
	2.5x6mm (41079)
	2.5x10 (41087)
	2.5x14 (71032)
	2.5x16 (41086)



SET SCREWS

	3x3mm (25225)
	3x16mm (4689)




PIVOT BALLS

	Pivot Ball, Short (42041)
	Pivot Ball, Long, Upper Shock (42041)



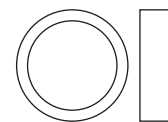
LOCK NUTS

	M3 Locknuts (25215) Aluminum (31550)
	M4 Locknut W/Flange (25391)



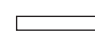
BEARINGS

	5x10x4mm (91560)
	7x14x3.5mm (91474)
	10x15x4mm (91563)

SHIMS AND WASHERS

	.250x.125x.015 (7337)
	Servo Horn Spacer (42041)
	Drive Gear Shim (42027)

MISC. SCREWS

	Shoulder Screw 3x4x10mm (42070)
	Screw Pin (42022)
	Pin 2x11mm (42019)

LINKS


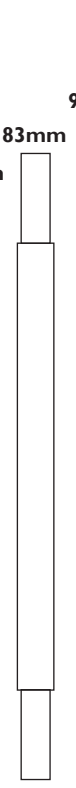


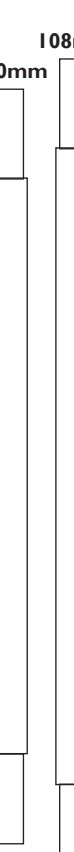
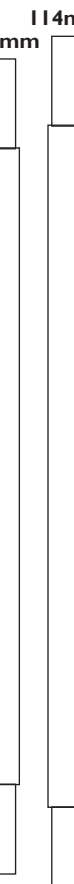

	73mm
	83mm
	93mm
	96mm
	100mm
	108mm
	114mm

TABLE OF CONTENTS

4/18/2023

01	COVER	12	DRIVESHAFTS BUILD (BAG 8)
02	INTRODUCTION	13	SHOCKS BUILD (BAG 9)
03	1:1 HARDWARE "FOLD OUT"	14	BUMPERS BUILD (BAG 10)
04	TABLE OF CONTENTS	14	WHEELS/TIRES BUILD
05	CHASSIS BUILD (BAG 1, 2)	15	BODY BUILD (BAG 11)
06	ELECTRONIC MOUNTS BUILD (BAG 3)	16	OPTIONAL GEARBOX BUILD
07	GEARBOX BUILD (BAG 4)	17	TRAIL TIPS
08	FRONT AXLES BUILD (BAG 5)	18	BACK COVER
09	REAR AXLES BUILD (BAG 6)		
09	LINKS BUILD (BAG 7)		

USING THIS MANUAL



This symbol indicates a special note or instruction in the manual.

x2

This symbol indicates the number of the same part that is required.



This symbol indicates the order within a step to assemble parts.



This symbol indicates a Trail Tip.



This symbol indicates where Black Grease should be applied.



This symbol indicates where Green Slime can be applied. *not included



This symbol indicates where Thread Lock Adhesive should be applied. *not included

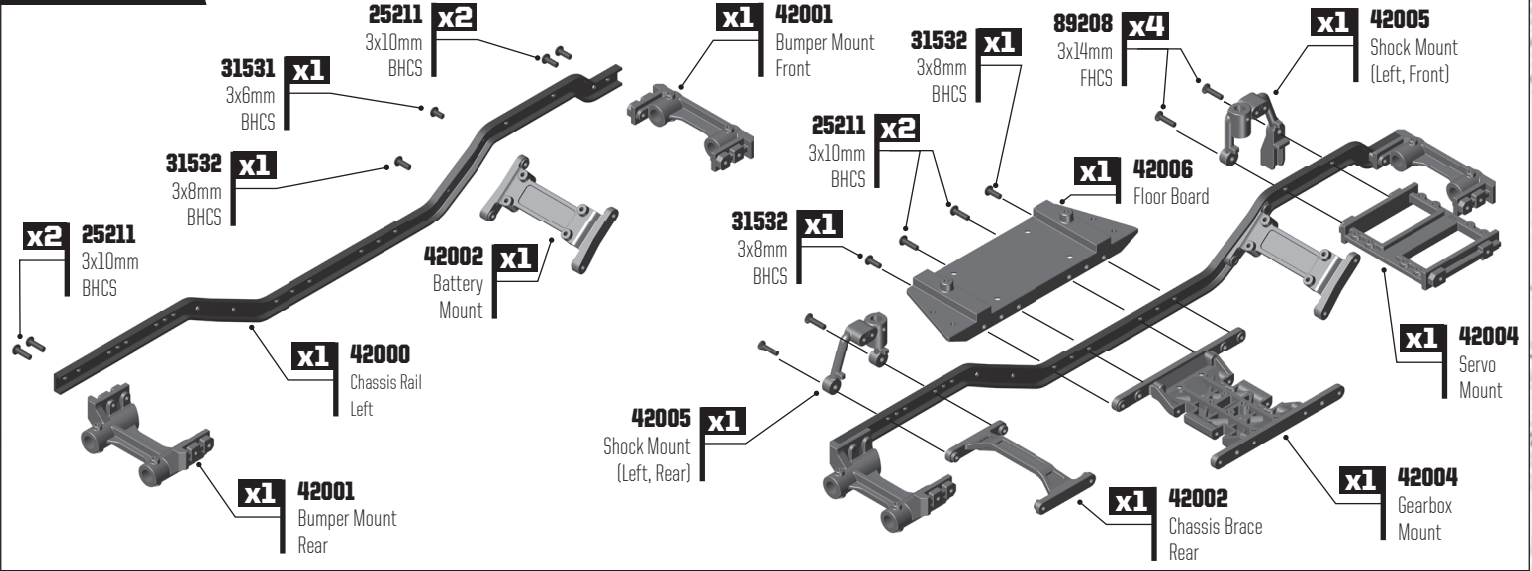


This symbol indicates where Shock Fluid should be applied.

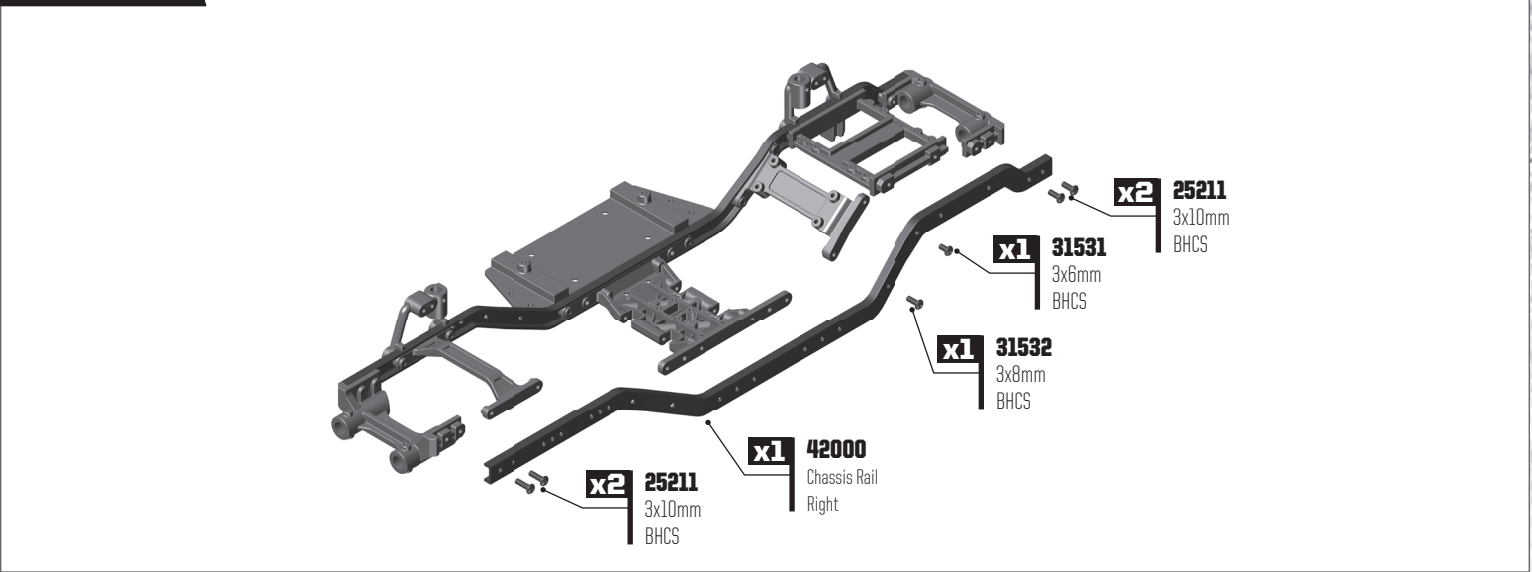


There is a 1:1 hardware foldout page in the front of the manual. To check the size of a part, line up your hardware with the correct drawing until you find the exact size. Each part in the foldout has a number assigned to it for ordering replacement parts.

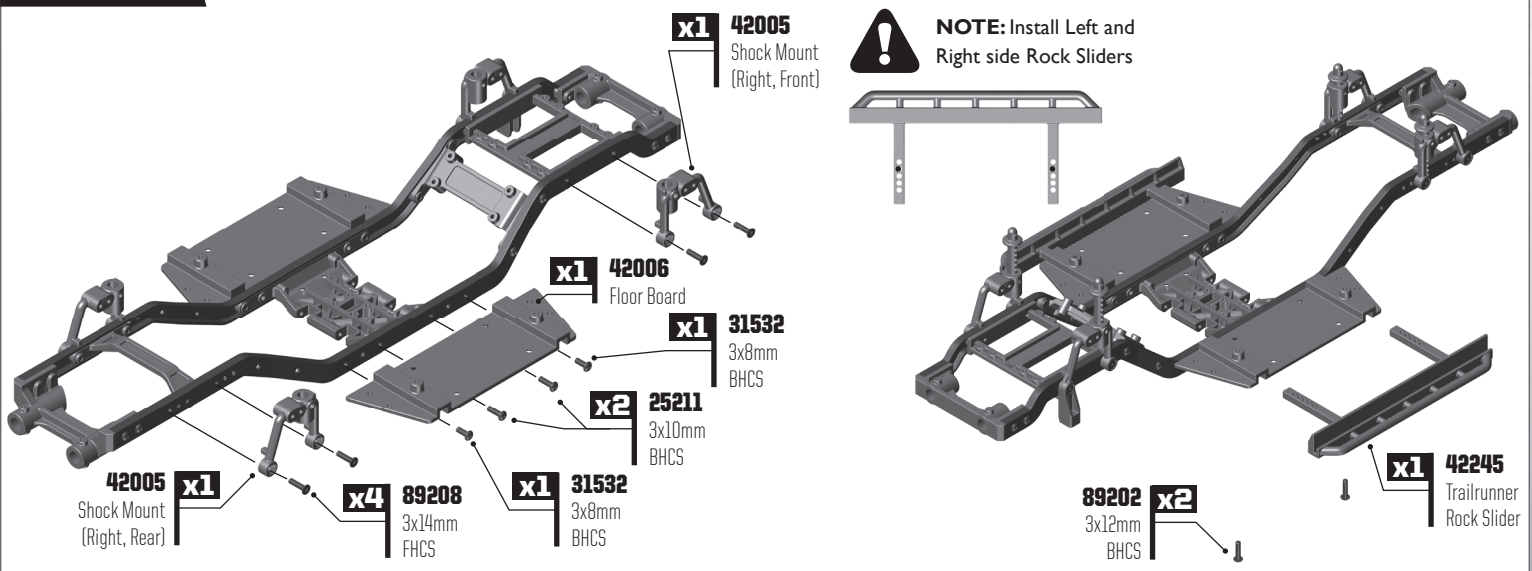
GATE 01 CHASSIS BUILD: BAG 1, 2



GATE 02 CHASSIS BUILD: BAG 1, 2



GATE 03 CHASSIS BUILD: BAG 1, 2



GATE 01 ELECTRONIC MOUNTS BUILD: BAG 3

25203 **x4**
3x12mm FHCS

42003 **x1**
Battery Box, Shorty Pack

NOTE: There is an optional "standard pack" sized battery tray included!

71050 **x2**
Hook and Loop Straps

GATE 02 ELECTRONIC MOUNTS BUILD: BAG 3

42007 **x1**
Receiver Grommet

42007 **x1**
Receiver Grommet Plug

42006 **x1**
Receiver Box Bottom

25202 **x4**
3x10mm FHCS

Receiver **x1**

6727 **x1**
Servo Tape

Servo **x1**

42215 **x1**
Servo Horn 25T

41090 **x4**
3x10mm LP SHCS

25211 **x1**
3x10mm BHCS

THREAD LOCK #1596

GATE 03 ELECTRONIC MOUNTS BUILD: BAG 3

ESC **x1**

6727 **x1**
Servo Tape

6338 **x1**
Antenna Tube and Cap

25225 **x1**
3x3mm Set Screw

25202 **x4**
3x10mm FHCS

42006 **x1**
Receiver Box Lid

42007 **x1**
Receiver Box Grommet

GATE 01 GEARBOX BUILD: BAG 4

BLACK GREASE #6588

- x1 42028** Stealth X Gearbox Drive Gear, 53T
- x1 42027** Stealth X Gearbox Outdrive, Long
- x4 31350** 2.5x10mm FHCS
- 91563 x2** 10x15x4mm Bearing
- x1 42027** Stealth X Gearbox Drive Gear Shim
- x1 42027** Stealth X Gearbox Outdrive, Short
- x1 42028** Stealth X Gearbox Drive Gear, 52T
- x4 41077** 2.5x14mm FHCS

NOTE: Make sure the 10x15x4mm bearing is completely seated in the short outdrive

GATE 02 GEARBOX BUILD: BAG 4

- x2 42025** Idler Shaft Pin 2x9mm
- x1 42025** Stealth X Gearbox Idler Shaft
- x1 42026** Stealth X Gearbox Idler Gear, 27T
- x1 42026** Stealth X Gearbox Idler Gear, 28T
- x1 42030** Stealth X Gearbox Top Shaft, Rear
- x4 91560** 5x10x4mm Bearing
- x5 41078** 3x28mm BHCS
- x1 42023** Stealth X Gearbox Case
- x2 91563** 10x15x4mm Bearing
- x1 42023** Stealth X Gearbox Case

NOTE: There are optional gearbox builds on page 24

Over Drive Option I (Stock)

GATE 03 GEARBOX BUILD: BAG 4

- x1 42029** Stealth X Gearbox Motor Plate
- x3 25201** 3x8mm FHCS
- x2 42023** Stealth X Gearbox Spur Gear Hub
- x1 25391** FT M4 Locknut
- x2 41090** 3x10mm LP SHCS
- x1 9654** Spur Gear 48P, 8T
- x1 Motor**

GATE 04 GEARBOX BUILD: BAG 4

42023 x1 Stealth X Gearbox Gear Cover

1336 x1 Pinion Gear 18T

25225 x1 3x3mm Set Screw

31530 x2 3x5mm BHCS

NOTE: Make sure the gear mesh between the spur gear and pinion has a slight amount of movement between the two gears.

89208 x2 3x14mm FHCS

25201 x2 3x8mm FHCS

GATE 01 FRONT AXLE BUILD: BAG 5

41086 x4 2.5x16mm SHCS

91560 x2 5x10x4mm Bearing

91474 x2 7x14x3.5mm Bearing

BLACK GREASE #6588

42060 x1 Axle Housing Differential Cover

42066 x1 Pinion Gear, 8T

42065 x1 Ring Gear, 30T

42061 x1 Axle Housing, Front

NOTE: Align the two arrows when installing the caster block!

91560 x1 5x10x4mm Bearing

42062 x1 Caster Block, Left

NOTE: Install Left and right side caster blocks and bearings

GATE 02 FRONT AXLE BUILD: BAG 5

NOTE: Tighten the caster block clamp until the screw is flush with the end!

25187 x1 3x14mm BHCS

42067 x1 Universal

91563 x1 10x15x4mm Bearing

91560 x1 5x10x4mm Bearing

42062 x1 Steering Block

NOTE: Install left and right side steering blocks and universals

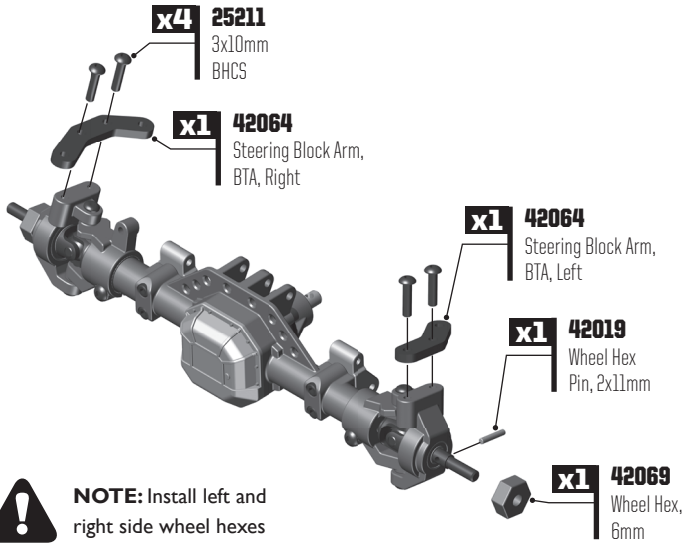
42060 x1 Lower 4-Link Mount

71032 x2 2.5x14mm SHCS

42070 x2 3x4x10mm Shoulder Screw

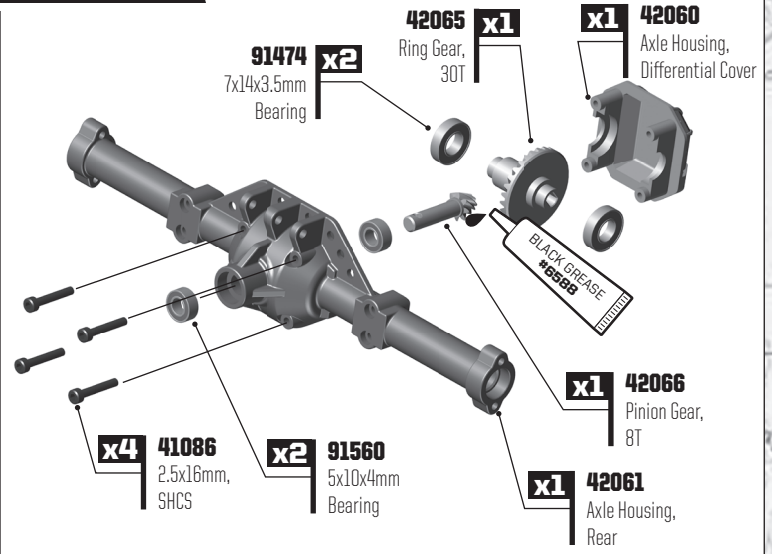
NOTE: Install left and right side axle mounts and shoulder screws

GATE 03 FRONT AXLE BUILD: BAG 5

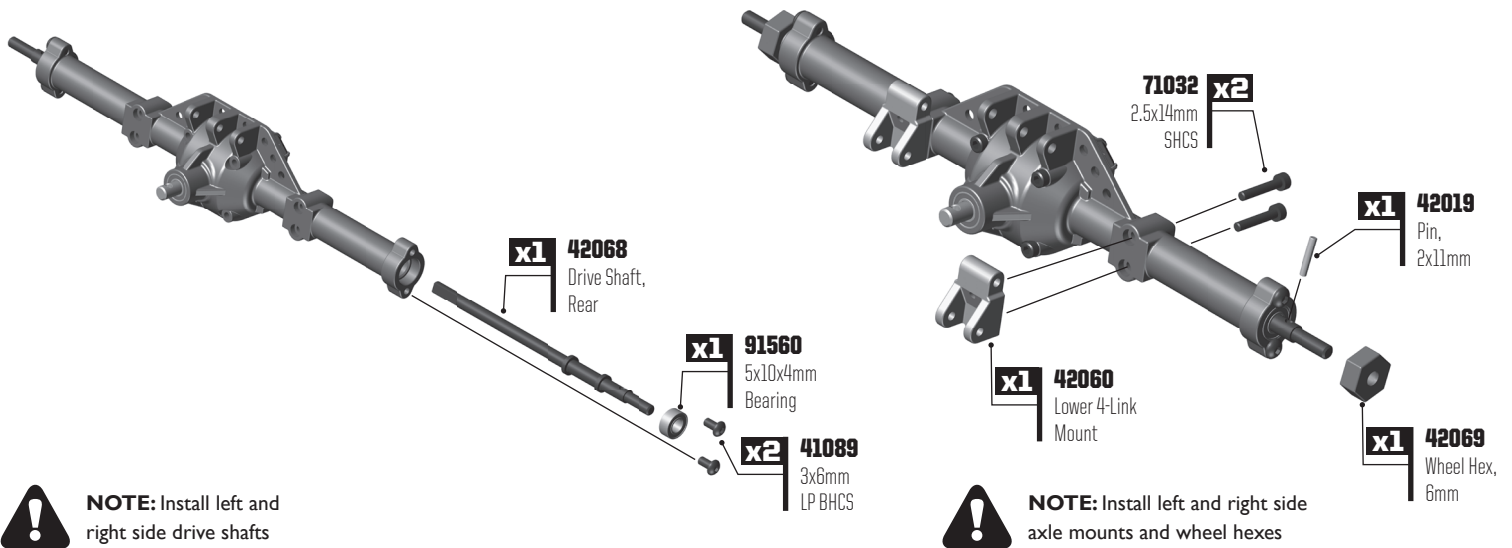


NOTE: Install left and right side wheel hexes

GATE 01 REAR AXLE BUILD: BAG 6



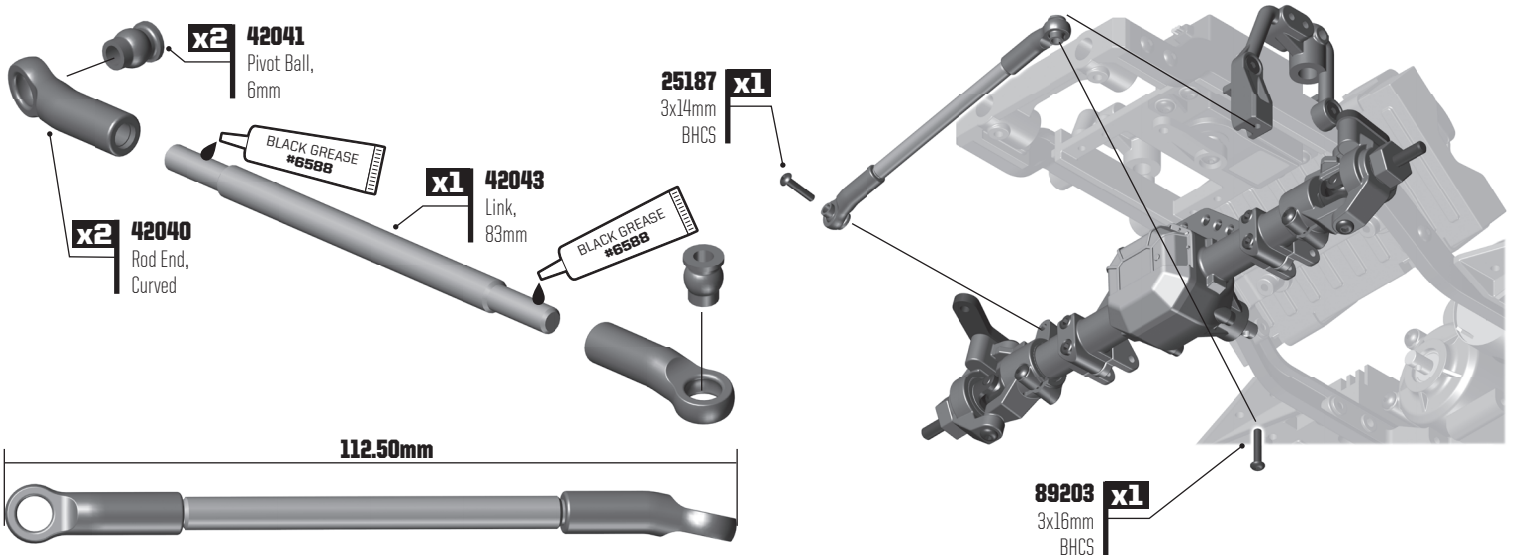
GATE 02 REAR AXLE BUILD: BAG 6



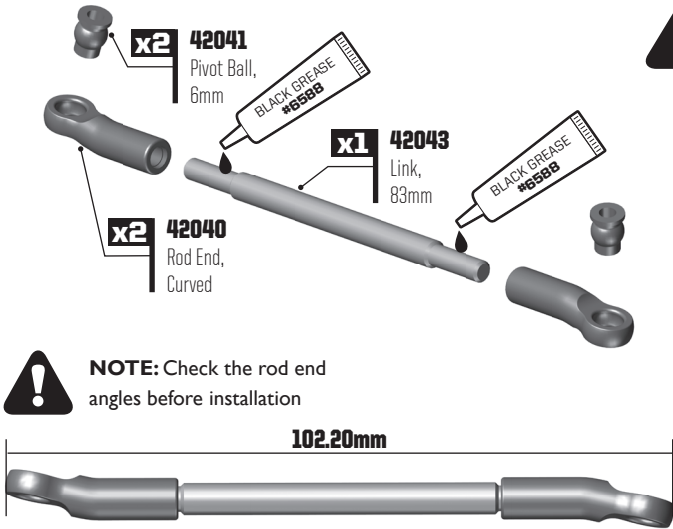
NOTE: Install left and right side drive shafts

NOTE: Install left and right side axle mounts and wheel hexes

GATE 01 LINKS BUILD: BAG 7



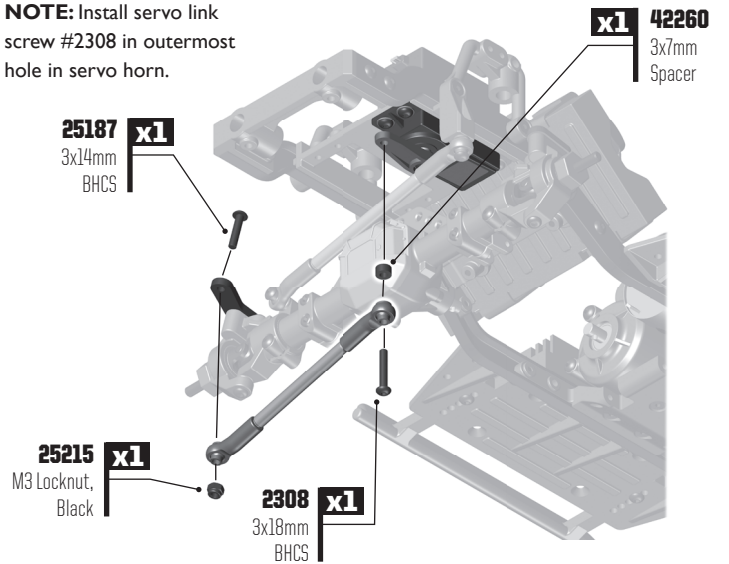
GATE 02 LINKS BUILD: BAG 7



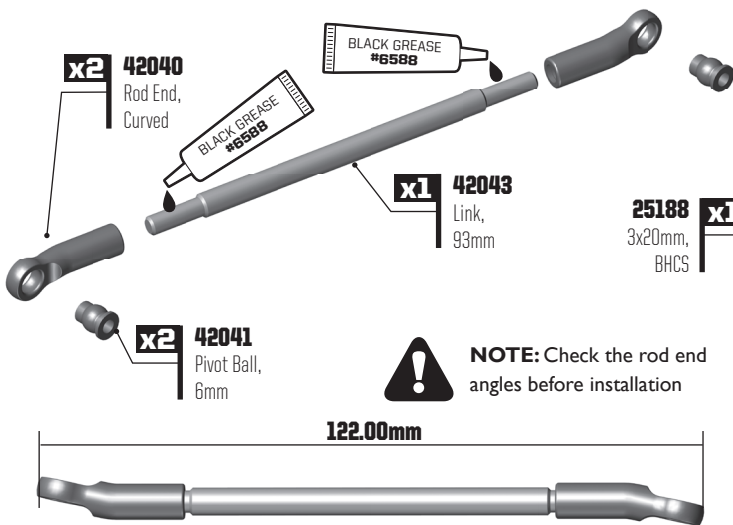
NOTE: Check the rod end angles before installation



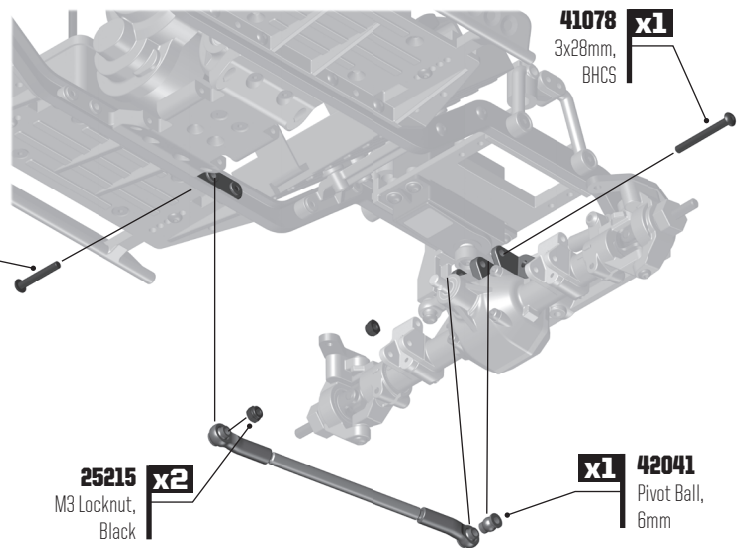
NOTE: Install servo link screw #2308 in outermost hole in servo horn.



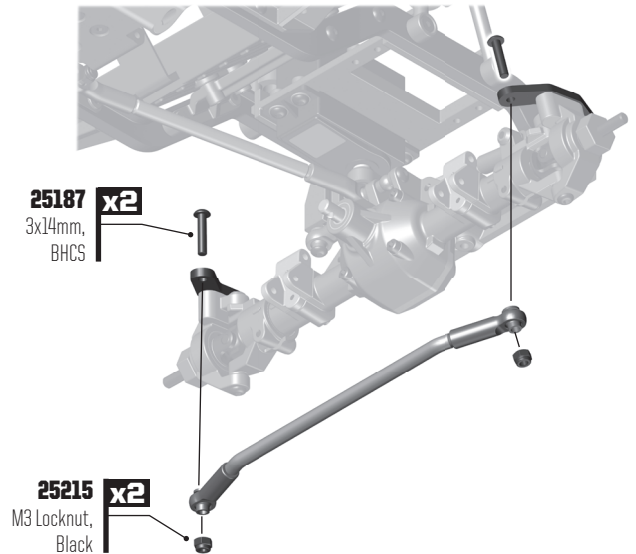
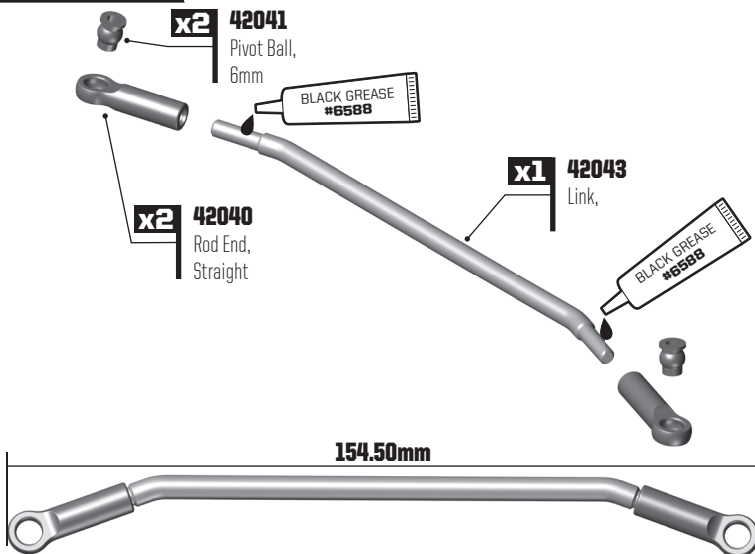
GATE 03 LINKS BUILD: BAG 7



NOTE: Check the rod end angles before installation



GATE 04 LINKS BUILD: BAG 7



GATE 05 LINKS BUILD: BAG 7

NOTE: Build and install two rear upper links

x2 42041 Pivot Ball, 6mm

BLACK GREASE #6588

x2 42040 Rod End, Curved

x1 42043 Link, 93mm

BLACK GREASE #6588

NOTE: Check the rod end angles before installation

122.00mm

x1 25188 3x20mm BHCS

x1 41078 3x28mm BHCS

x2 25215 M3 Locknut, Black

GATE 06 LINKS BUILD: BAG 7

NOTE: Build and install two front lower links

x2 42041 Pivot Ball, 6mm

BLACK GREASE #6588

x2 42040 Rod End, Curved

x1 42043 Link, 100mm

BLACK GREASE #6588

NOTE: Check the rod end angles before installation

129.50mm

x1 25187 3x14mm BHCS

x1 4689 3x16mm Set Screw

GATE 07 LINKS BUILD: BAG 7

NOTE: Build and install two front lower links

x2 42041 Pivot Ball, 6mm

BLACK GREASE #6588

x2 42040 Rod End, Curved

x1 42043 Link, 100mm

BLACK GREASE #6588

NOTE: Check the rod end angles before installation

129.50mm

x1 25187 3x14mm BHCS

x1 4689 3x16mm Set Screw

GATE 01 DRIVE SHAFT BUILD: BAG 8

Drive Shaft Lengths

	Front (mm)	Rear (mm)
Female 1	33	33
Female 2	33	42
Male	48	48

NOTE: Build a front and rear drive shaft

GATE 02 DRIVESHAFT BUILD: BAG 8

NOTE: Install the front drive shaft

NOTE: Install the rear drive shaft

GATE 03 DRIVESHAFT BUILD: BAG 8

NOTE: Make sure the screw pins are aligned with each female CVA during assembly

NOTE: Make sure the phasing of the drive shafts is correct when installing them to the axles and gearbox.

Correct Phasing

Incorrect Phasing

FRONT 33 48

REAR 42 48

42022 x4 Screw Pin

THREAD LOCK #1596

GATE 01 SHOCK BUILD: BAG 9

x1 42081 Shock Piston

x2 6299 E-Clip

x1 42083 Shock Shaft, 3x30mm

SHOCK CAP O-RING

SHOCK COLLAR O-RING

x1 42081 O-Ring, Small, Shock Cap

x1 42082 Shock Body, 10x32mm

x2 5407 O-Ring, Red

x1 42081 Shock O-Ring Spacer

x1 42080 Shock Bottom Cap

x1 42040 Enduro Rod Ends

Pro Tip: Use #1105 Green Slime on O-Rings

NOTE: Build 4 complete shocks

GATE 02 SHOCK BUILD: BAG 9

Shock Bleeding Steps:

1. Pull shock shaft down.
2. Fill shock body 3/4 full with silicone fluid.
3. Slowly move the shock shaft up and down to remove air from under piston.
4. Wait for bubbles to come to surface.
5. Fill shock body to top with silicone fluid.
6. Place a drop of oil in the cap and on cap threads.
7. Install cap and tighten completely.
8. Slowly compress shaft all the way to the top. If there is pressure at the top of the stroke, there is too much oil or air. You must bleed it out.
9. Slowly pull shaft out.
10. Unscrew the cap 3/4 turn and tilt the shock at a slight angle.
11. Slowly compress the shaft to push out excess oil and air. You should see bubbles coming out from under the cap.
12. With the shaft compressed, tighten the cap and re-check for pressure at the top of the stroke. If there is still pressure, repeat steps 9 thru 11.

NOTE: Build 4 complete shocks

x1 42080 Shock Cap, Enduro

x1 31510 2x4mm BHCS

x1 42080 Shock Spring Cup

Step 1-3 **Step 3-4** **Step 5-6** **Step 7** **Step 8-12**

GATE 03 SHOCK BUILD: BAG 9

NOTE: Seat O-Ring into the groove on the inside of the shock collar

x1 42081 O-Ring, Large, Shock Collar

x1 42079 Shock Collar, Black, Aluminum

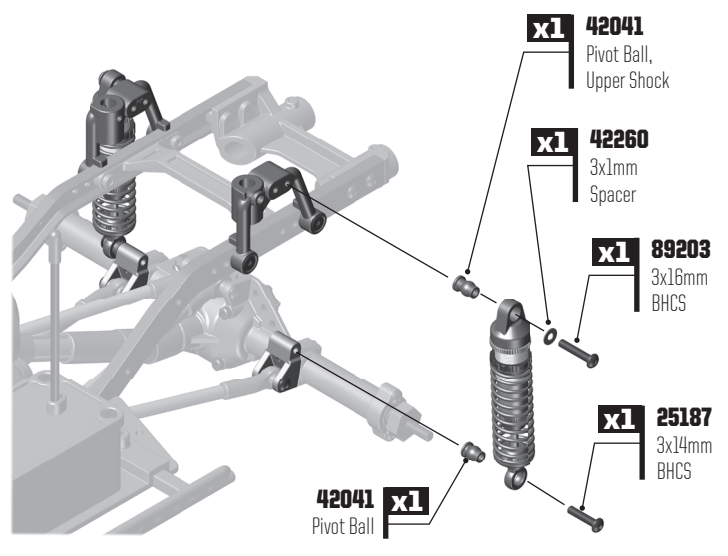
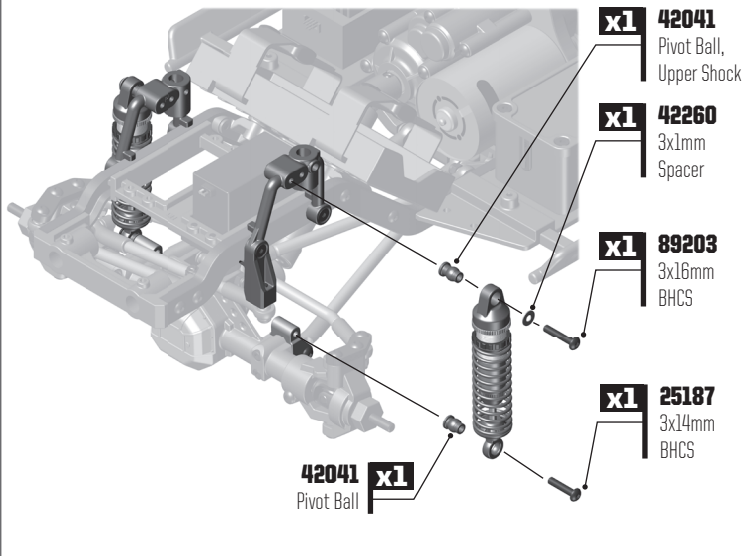
x1 42089 Shock Spring, Gray, 1.49 lb/in, 63mm

x1 42080 Shock Spring Cup

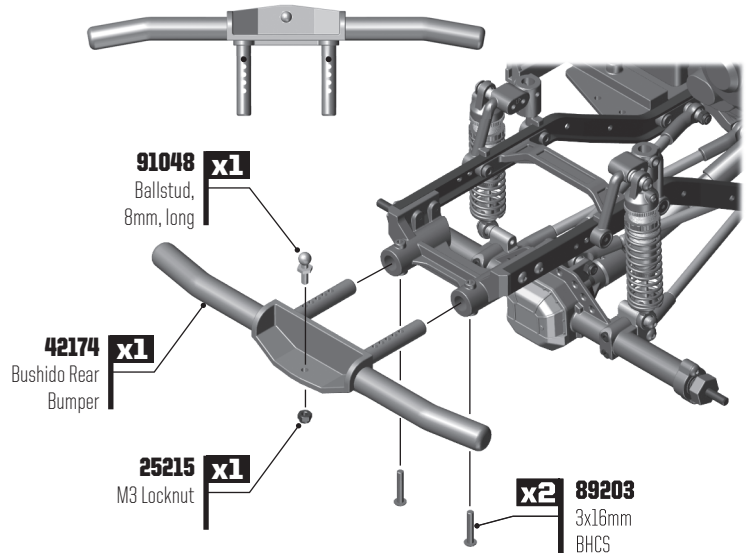
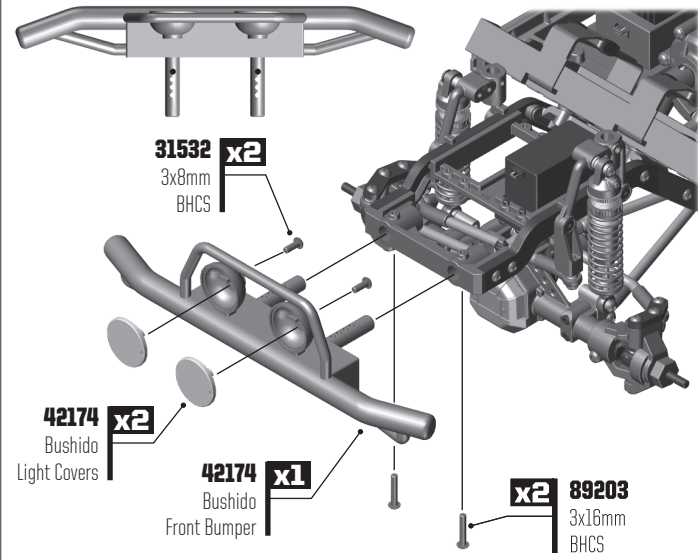
NOTE: Build 4 complete shocks

3mm

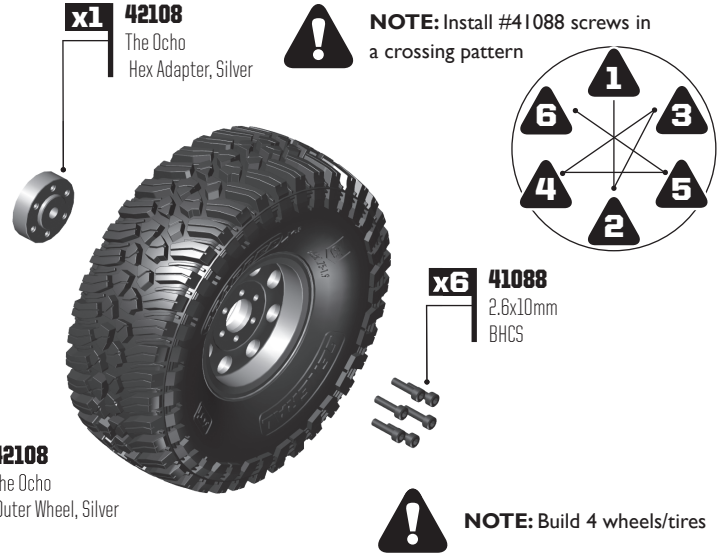
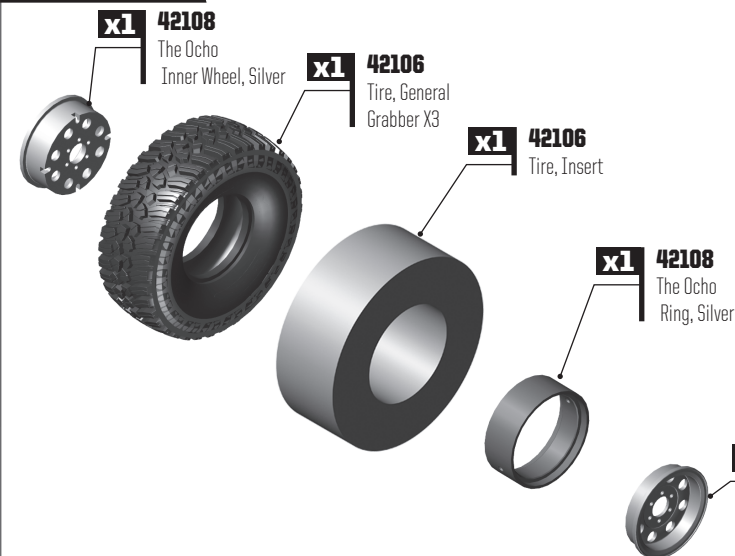
GATE 04 SHOCK BUILD: BAG 9



GATE 01 BUMPER BUILD: BAG 10



GATE 01 WHEEL/TIRE BUILD



GATE 02 WHEEL/TIRE BUILD

NOTE: Install 4 wheels/tires

- x2 25391** FT M4 Locknut, Blue
- x2 42109** The Ocho Nut Cap, Black
- x2 42009** Body Mount, Short Pin
- x2 42022** Screw Pin

Front Post Rear Post

NOTE: Install 4 body mounts

GATE 01 BODY BUILD: BAG 11

Bodies

- 42171 RTR - Painted (White)
- 42172 Clear
- 42195 RTR - Painted (Green)

- x2 89203** 3x16mm BHCS
- x1 42173** Bushido Roll Bar
- x1 42172** Bushido Body, Clear
- x1 42171** Bushido Body, Painted
- x4 42260** 1mm Spacer
- x2 31532** 3x8mm BHCS
- x2 25187** 3x14mm BHCS
- x10 31532** 3x8mm BHCS
- x2 42173** Bushido LED Mount
- x2 42173** Bushido Headlight Bucket
- x1 42173** Bushido Grill, Black

NOTE: Install light buckets and hardware inside the body

GATE 02 BODY BUILD: BAG 11

- x2 41086** 2.5x16mm SHCS
- x1 42173** Bushido Snorkel
- x2 42173** Bushido Windshield Wiper Blade
- x2 42173** Snorkel Mount
- x2 31520** 2.5x6mm BHCS
- x4 31392** 3x5mm Washer
- x4 89215** 2.5mm Locknut
- x2 42173** Side Mirror, Black
- x2 42173** Side Mirror Mount, Black
- x2 41086** 2.5x16mm SHCS
- x2 42173** Side Mirror Mount, Backing
- x2 42145** Nut
- x2 21173** Body Clip, Small
- x2 5407** O-Ring
- x4 6332** Body Clips

NOTE: Install body clip and o-ring inside the body

GATE 01**STEALTH X: BUILD CONFIGURATION: MOTOR MOUNT FACING REAR (STOCK)****OVERDRIVE:**

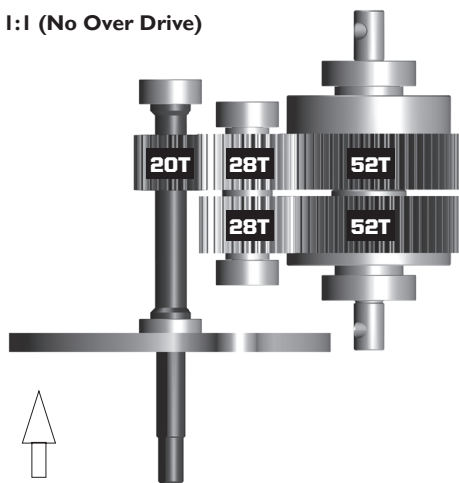
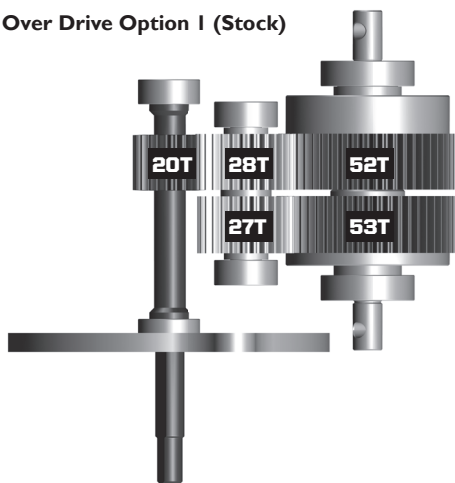
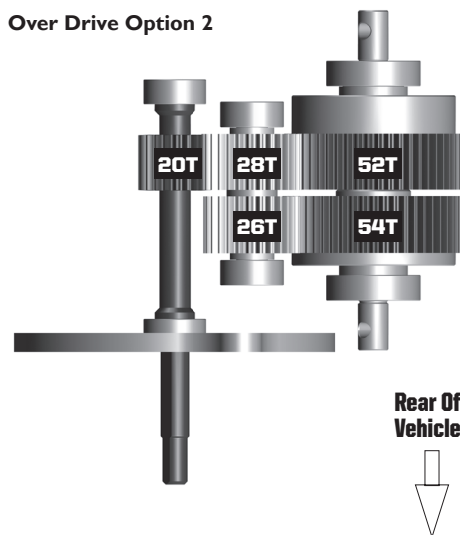
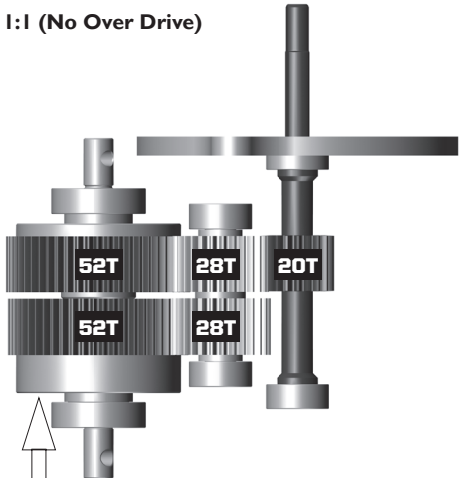
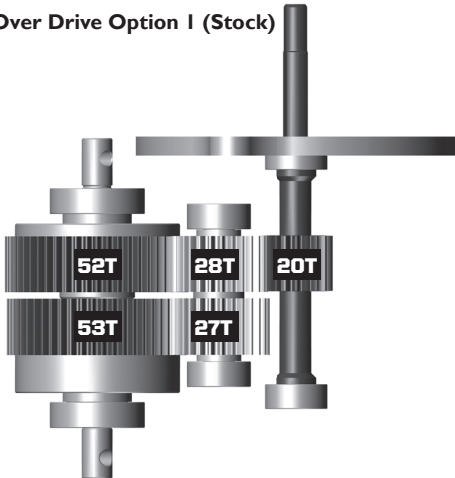
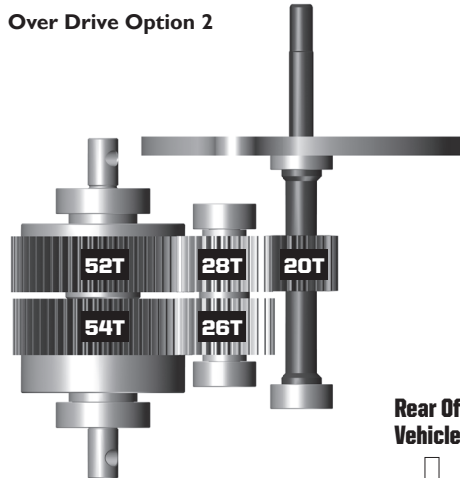
Overdrive is a scenario where the front and rear wheels do not rotate at the same speed. The Stealth X gearbox is designed to allow the front wheels to spin faster than the rear wheels. Overdrive is advantageous when climbing up rock faces because the front tires will want to pull the vehicle up the rock. On descents, the rear tires rotating slower than the front tires will help keep the chassis more stable and keep the rear tires planted on the ground.

Stealth X:

The Stealth X gearbox allows the driver to change the front to rear drive ratios with 3 separate ratio adjustments to the rear drive shaft. The driver has the option to flip the gearbox direction (motor mount facing the front) the optional inverse top shaft (#42024) is required.

Please Note:

The 20T top shaft, 28T idler gear, and 52T drive gear will always be meshed together in all 6 gearbox configurations.

GATE 02**STEALTH X: BUILD CONFIGURATION: MOTOR MOUNT FACING REAR (STOCK)****1:1 (No Over Drive)****Over Drive Option 1 (Stock)****Over Drive Option 2****Front Of Vehicle****Rear Of Vehicle****GATE 03****STEALTH X: BUILD CONFIGURATION: MOTOR MOUNT FACING FRONT (OPTIONAL - REQUIRES #42024 - TOP SHAFT)****1:1 (No Over Drive)****Over Drive Option 1 (Stock)****Over Drive Option 2****Front Of Vehicle****Rear Of Vehicle**

TRAIL TIPS AND CHECKLIST

PREPARING TO HIT THE TRAIL:

When preparing to hit the trail, it's a good idea to have a checklist to make sure you have everything and don't end up having to head back early. We've compiled a checklist of the things we think you'll need on the trail. We've also left some space for you to add your specific items to the list. Keep in mind these are suggestions and every person will require different items. Weather and altitude will also dictate how much food and water a person will require. Do a little research first before heading out for a full day on the trail.

- Truck with Charged Battery
- 1-2 spare Charged Batteries for your rig
- Radio with Charged Batteries
- Spare radio batteries
- Check all nuts and screws and tighten them. Including Wheel nuts!
- Spare parts (Nuts, Screws, Body Clips, and anything that may wear or break)
- Backpack
- Water (2 liters per person minimum)
- Snacks (protein bars, trailmix, etc.)
- Sturdy shoes (Hiking boots preferably or something with grip and ankle support)
- Element Hat or Beanie
- Element Hoodie or Jacket
- Sunscreen
- Bug Spray
- Lip Balm
- Nut Drivers (Factory Team Nut Drivers #1507, 1508)
- Allen wrenches (Factory Team Hex Driver set #1655)
- Cell phone and charger
- Headlight or flashlight with spare batteries
- Compact action camera
- Camera
- Tripod
- _____
- _____
- _____
- _____
- _____
- _____

TREAD LIGHTLY:

Remember, when driving your rig out on the trails, it's important to tread lightly. We all know that the best place to enjoy our hobby is out in nature, and that means we need to preserve it for future hobbyist so we all have a place to enjoy. Here are a few tips to remember when out on the trail.

• Pack In/Pack Out:

Don't leave anything behind. Whether it's trash, parts, or food. If you brought it, take it with you.

• National and Public Parks:

If visiting a national park, leave the RC cars at home. It is illegal to drive any radio control vehicle within national park boundaries. Public parks are slightly different, some may allow radio control cars and others may not. Check with your local officials before driving in a public park.

• Be Considerate:

Where ever you drive your radio control car, always be considerate of others. Hikers, bicyclists, and animals should always be given the right of way.

• Keep It Quiet:

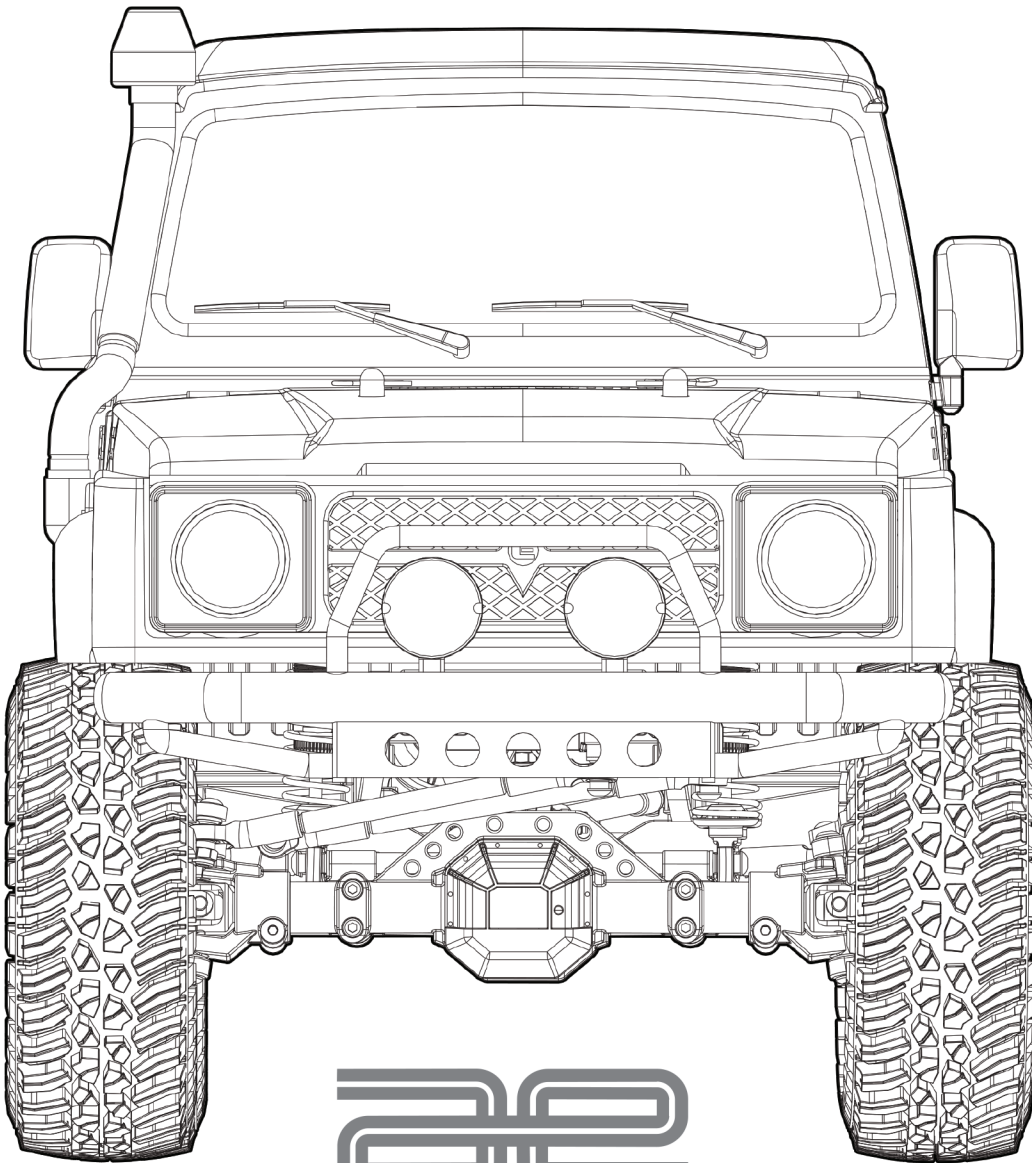
If you're sharing an area with other people, try to keep the noise to a minimum. If you come across animals or anglers, please be considerate and give them space.

• Give A Hoot, Don't Pollute:

When enjoying the outdoors take your trash with you. Not only is it bad for the environment, it's unsightly. If you see trash, pick it up, even if it isn't yours. If we all do our part we can work together to keep our planet beautiful for future generations.

• Only You Can Prevent Wild Fires:

Some of us like to mix camping with RC cars. This is great! Just remember to follow all safety precautions and put out any camp fires before calling it a night. Also, be sure to unplug and **store all LiPo batteries in LiPo sacks and a fire resistant storage device.**



ASSOCIATED ELECTRICS, INC.
21062 BAKE PARKWAY LAKE FOREST, CA 92630 USA

CALL: (949) 544-7500 - FAX: (949) 544-7501
CHECK OUT THE FOLLOWING WEB SITES FOR ALL OF OUR KITS,
CURRENT PRODUCTS, NEW RELEASES, SETUP HELP, TIPS, AND RACING INFO!
WWW.ASSOCIATEDELECTRICS.COM



ElementRC



@Element_RC