

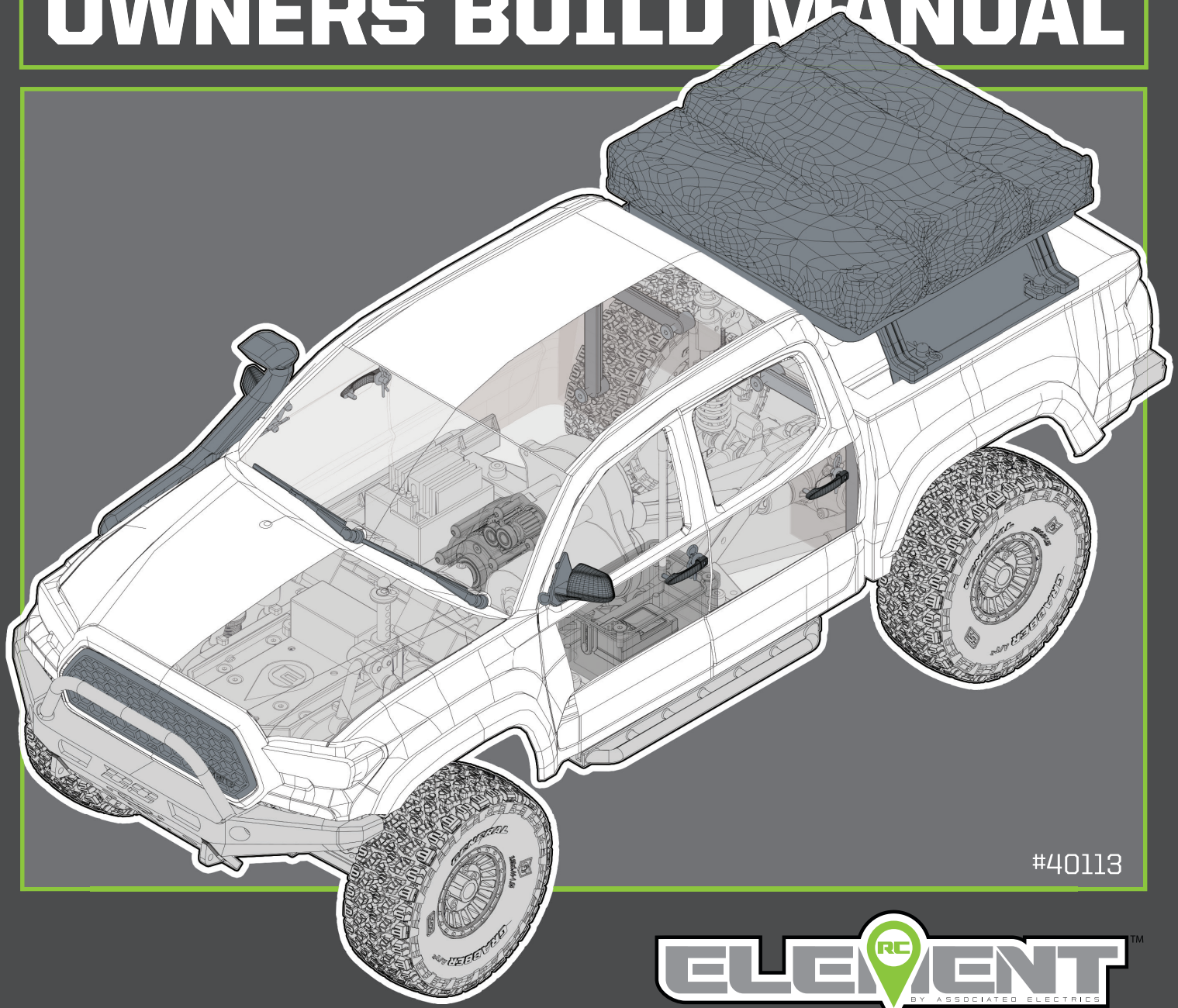
# ENDURO

WITH INDEPENDENT FRONT SUSPENSION



## KNIGHTRUNNER 4X4

# OWNERS BUILD MANUAL



#40113





**Associated Electrics, Inc.**  
**21062 Bake Parkway.**  
**Lake Forest, CA 92630**

**Customer Service**  
**Tel: 949.544.7500**  
**Fax: 949.544.7501**

**Follow Us On Social Media**



ElementRC



@Element\_RC

**www.ElementRC.com**

AE is a Registered Trademark of Associated Electrics, Inc.

TEAM ASSOCIATED is a Registered Trademark of Associated Electrics, Inc.

REEDY is a Registered Trademark of Associated Electrics, Inc.

FACTORY TEAM is a Registered Trademark of Associated Electrics, Inc.

ELEMENT™ is a Trademark of Associated Electrics, Inc.

AREA 51 is a Registered Trademark of Associated Electrics, Inc.

STEALTH is a Registered Trademark of Associated Electrics, Inc.

GREEN SLIME is a Registered Trademark of Associated Electrics, Inc.

## ITEMS NEEDED

The following items are required to build or maintain your Enduro Trail Truck.

- 1.5mm Allen Wrench (#1500)
- 2mm Allen Wrench (#1501)
- 2.5mm Allen Wrench (#1503)
- Pliers
- Long Nose Pliers
- 5.5mm Nut Driver (#1507)
- 7mm Nut Driver (#1508)

## OTHER HELPFUL ITEMS

The following items aren't required, but will aid in the building and maintaining of your Enduro Trail Truck.

- Threadlock (#1596)
- Green Slime (#1105)

**Your journey begins here.**



## INTRODUCTION

Thank you for purchasing this Element RC product. This assembly manual contains instructions and tips for building and maintaining your new Enduro chassis. Please take a moment to read through this manual to help familiarize yourself with these steps. We are continually changing and improving our designs; therefore, actual parts may appear slightly different than in the illustrations. New parts will be noted on supplementary sheets located in the appropriate parts bags.

## ENDURO TRAIL TRUCK

### WHERE SCALE LOOKS AND PERFORMANCE MEET:

When you want a rig designed with scale looks and performance in mind, you want the all-new Enduro Knightrunner 4x4 RTR overland truck!

Aimed towards the scale adventurer, the Enduro Knightrunner 4X4 boast many of the same performance features found on many of our other trail proven vehicles.

To maintain scale appearance without sacrificing performance, the engineers at Area 51 Design Works utilized the industry leading Independent Front Suspension (IFS). The durable injection-molded upper and lower suspension arms paired with aluminum swing rack and steering plates, enable the Knightrunner 4X4 to soak up the rough off-road terrain just like a full-size trail rig would.

At the center of the Knightrunner 4X4 chassis is AE's revolutionary Stealth® X transmission. What makes this transmission different from others is the ability to adjust the front and rear drive ratios independently across three different levels. Out of the box, the Stealth® X comes pre-installed with the 5.7% overdrive gears. As an added bonus, the 11.83% overdrive gears are included, but not installed. Available separately are a one-to-one ratio option for those who wish to drive the front and rear equally.

Like all other Element RC vehicles, the Knightrunner comes fully equipped with performance-driven Reedy Power electronics. The Reedy SC480X ESC with T-plug connector and 16-turn 5-slot brushed motor combo deliver ultra-smooth power to the wheels. Guiding the Knightrunner on trail are the XPI30 3-channel 2.4GHz radio and high-torque metal gear 1320MG Reedy servo.

Packed full of features like this, it's hard to keep the Knightrunner 4X4 RTR on the pavement and off the trails. It's the perfect rig for whatever adventures lie around the next corner. Your journey begins here!

With all this packed in one box, we know the Enduro Trail Truck is ready for the trail – Are you?

## FEATURES

- IFS [independent front suspension]
- StealthX transmission
- Aluminum steering plates
- Aluminum steering rack
- Integrated servo winch mount
- Adjustable front and rear bumper mounts
- Adjustable / injection molded rock sliders
- Threaded aluminum shock bodies
- CMS [Chassis Mounted Servo]
- Universal front drive axles
- Stamped steel frame rails
- 12mm wheel hexes
- Aluminum Motor Plate
- Optimized ball cups for more fluid axle articulation
- Telescopic driveshaft's front and rear
- Extruded aluminum driveshaft splines
- One-piece rear axle design
- Machined input pinion gear
- Metal ring gear
- Machined steel top shaft
- Heavy duty 5mm diameter steel links
- Metal ball bearings included
- Steel 25T servo horn
- Officially licensed Magnaflow exhaust [<https://www.magnaflow.com/>]
- Officially licensed 1.55"x3.85" General Grabber™ A/T X tires [<https://generalatire.com/>]

### ELECTRONICS:

- Water resistant 2S-3S LiPo compatible Reedy SC480X brushed electronic speed control with adjustable drag brake and T-plug battery connector
- Smooth and powerful Reedy Crawler 16T 5-slot brushed motor
- XPI30 2.4GHz radio system (3 Channel)
- Reedy high-torque 1320MG metal gear

servo (13kg/180 oz.)








### KNIGHTRUNNER BODY FEATURES:

- Knightrunner body thermoformed in high-strength polycarbonate
- Two-piece cab and bed design
- Clear windows
- Dropped bed design
- Injection-molded body accessories (door handles, wipers, mirrors, grill, and snorkel)
- Officially licensed DeMello injection-molded front and rear bumpers [<https://www.demello-offroad.com/>]
- Officially licensed Front Runner bed rack and tent [<https://www.frontrunneroutfitters.com/en/us/>]
- Optional decal sheet included.

















**HARDWARE 1:1 SCALE VIEW**

HARDWARE USED WITH OPTIONAL REPLACEMENT PART NUMBERS





**FLAT HEAD SCREWS (FHCS)**

	2.5x10mm (31350)
	2.5x14mm (41077)
	3x6mm (31541)
	3x8mm (25201)
	3x10mm (25202)
	3x12mm (25203)
	3x14mm (89208)

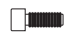






**BUTTON HEAD SCREWS (BHCS)**

	2x3mm (31509)
	2.6x10mm, Self Tapping (41088)
	3x4mm (91158)
	3x5mm (31530)
	3x6mm (31531)
	3x8mm (31532)
	3x10mm (25211)
	3x12mm (89202)
	3x14mm (25187)
	3x16mm (89203)
	3x18mm (2308)
	3x20mm (25188)
	3x22mm (25189)
	3x24mm (89204)
	3x26mm (89205)
	3x28mm (41078)




**LP SOCKET HEAD SCREWS (LP SHCS)**

	3x6mm (41089)
	3x10mm (41090)
	3x16mm (41092)
	3x20mm (41091)



**SOCKET HEAD SCREWS (SHCS)**

	2x5mm (31511)
	2x8mm (7187)
	2.5x6mm (41079)
	2.5x10mm (41087)
	2.5x14mm (71032)
	2.5x16mm (41086)
	3x6mm (41089)



**SET SCREWS**

	3x3mm (25225)
	3x16mm (4689)
	4x16mm (4677)



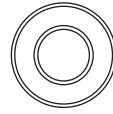

**PIVOT BALLS**

	Pivot Ball, Short (42041)
	Pivot Ball, Long, Upper Shock (42041)






**LOCK NUTS**

	M3 Locknuts (25215) Aluminum (31550)
	M4 Locknut W/Flange (25391)

**BEARINGS**



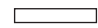
	4x8x3mm (91568)
	5x10x4mm (91560)
	7x14x3.5mm (91474)
	10x15x4mm (91563)

**SHIMS AND WASHERS**








	3x7mm x 1mm (42260)
	3x7mm x 2mm (42260)
	3x7x3mm (42260)
	3x7x5mm (42260)
	3x7x7mm (42260)

	Drive Gear Shim (42027)
---	-------------------------

**MISC. SCREWS**

	Shoulder Screw 3x4x10mm (42070)
	Screw Pin (42022)
	Pin 2x11mm (42019)

**LINKS**

	73mm
	83mm
	93mm
	96mm
	100mm
	108mm
	114mm

## TABLE OF CONTENTS

3/30/2021

<b>01</b>	COVER	<b>12</b>	LINKS BUILD
<b>02</b>	INTRODUCTION	<b>12</b>	REAR DRIVESHAFT BUILD
<b>03</b>	1:1 HARDWARE "FOLD OUT"	<b>13</b>	SHOCKS BUILD
<b>04</b>	TABLE OF CONTENTS	<b>14</b>	WHEELS/TIRES BUILD
<b>05</b>	STEERING BUILD	<b>15</b>	BODY BUILD
<b>06</b>	FRONT GEARBOX BUILD	<b>18</b>	DECALS
<b>07</b>	FRONT SUSPENSION BUILD	<b>19</b>	CATALOG
<b>08</b>	GEARBOX BUILD	<b>28</b>	OPTIONAL GEARBOX BUILD
<b>09</b>	CHASSIS BUILD	<b>29</b>	TRAIL TIPS
<b>11</b>	REAR AXLE BUILD	<b>30</b>	BACK COVER

## USING THIS MANUAL



This symbol indicates a special note or instruction in the manual.

**x2**

This symbol indicates the number of the same part that is required.



This symbol indicates the order within a step to assemble parts.



This symbol indicates a Trail Tip.



This symbol indicates where Black Grease should be applied.



This symbol indicates where Green Slime can be applied. \*not included



This symbol indicates where Thread Lock Adhesive should be applied. \*not included

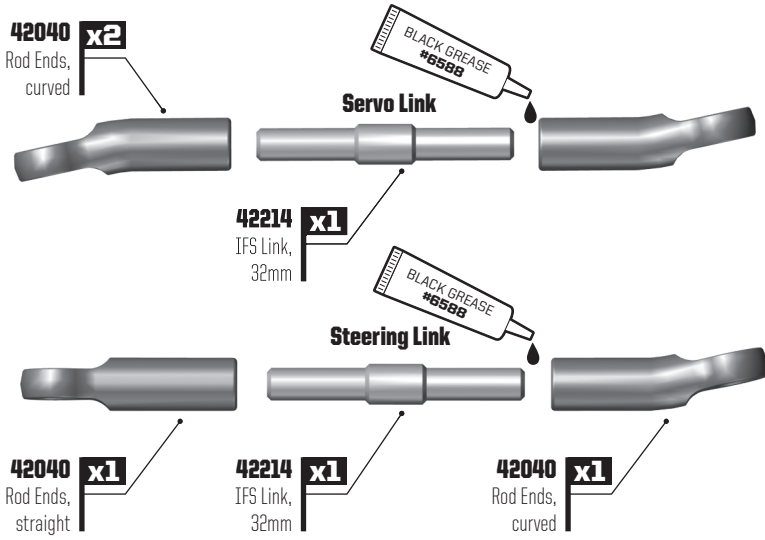


This symbol indicates where Shock Fluid should be applied.

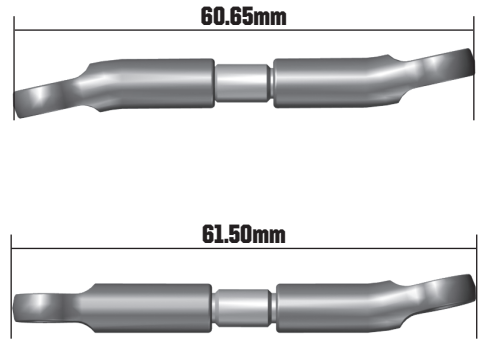


There is a 1:1 hardware foldout page in the front of the manual. To check the size of a part, line up your hardware with the correct drawing until you find the exact size. Each part in the foldout has a number assigned to it for ordering replacement parts.

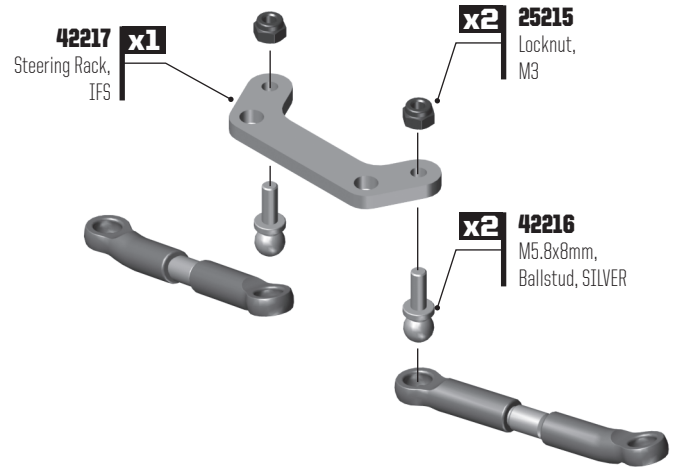
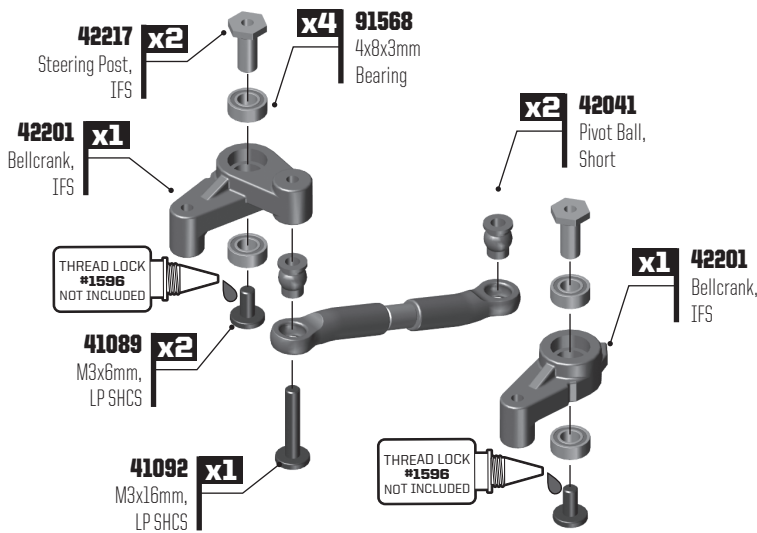
**GATE 01 STEERING BUILD**



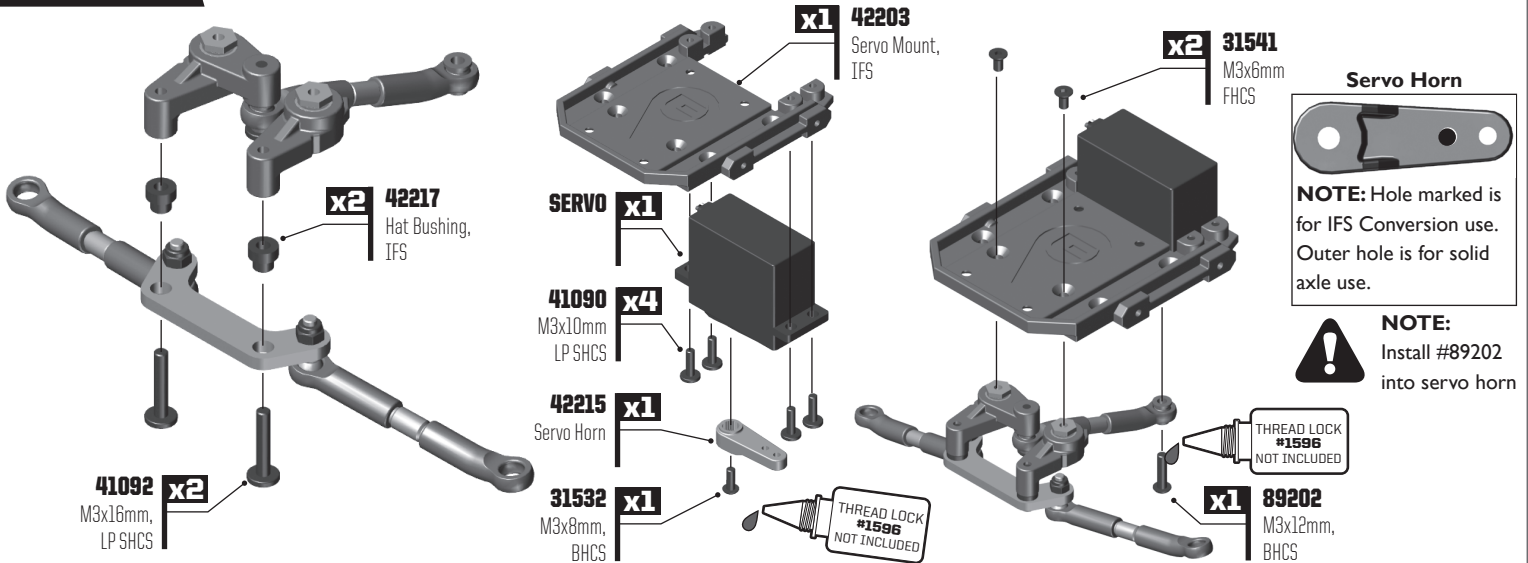
**Build Left and Right Steering Links**



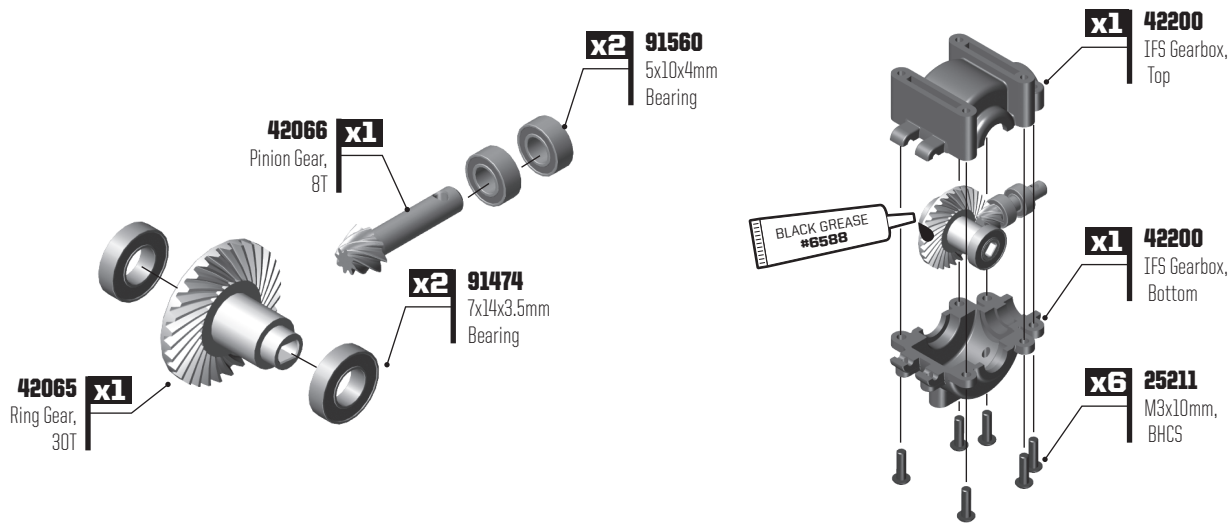
**GATE 02 STEERING BUILD**



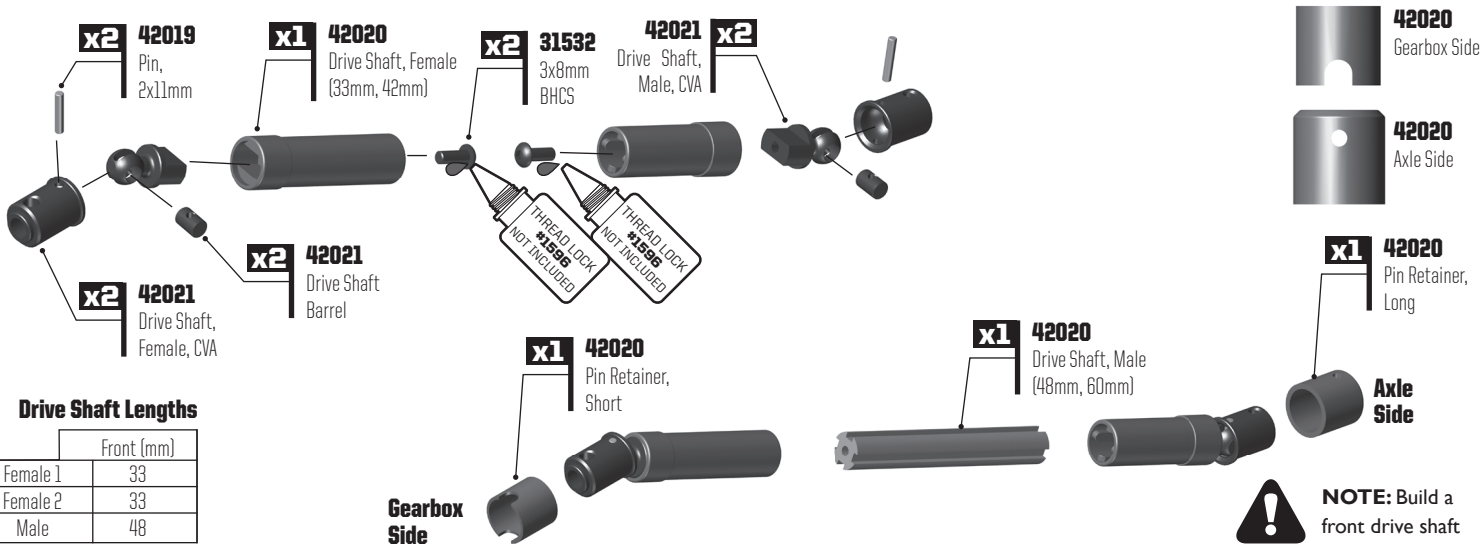
**GATE 03 STEERING BUILD**



## GATE 01 FRONT GEARBOX BUILD



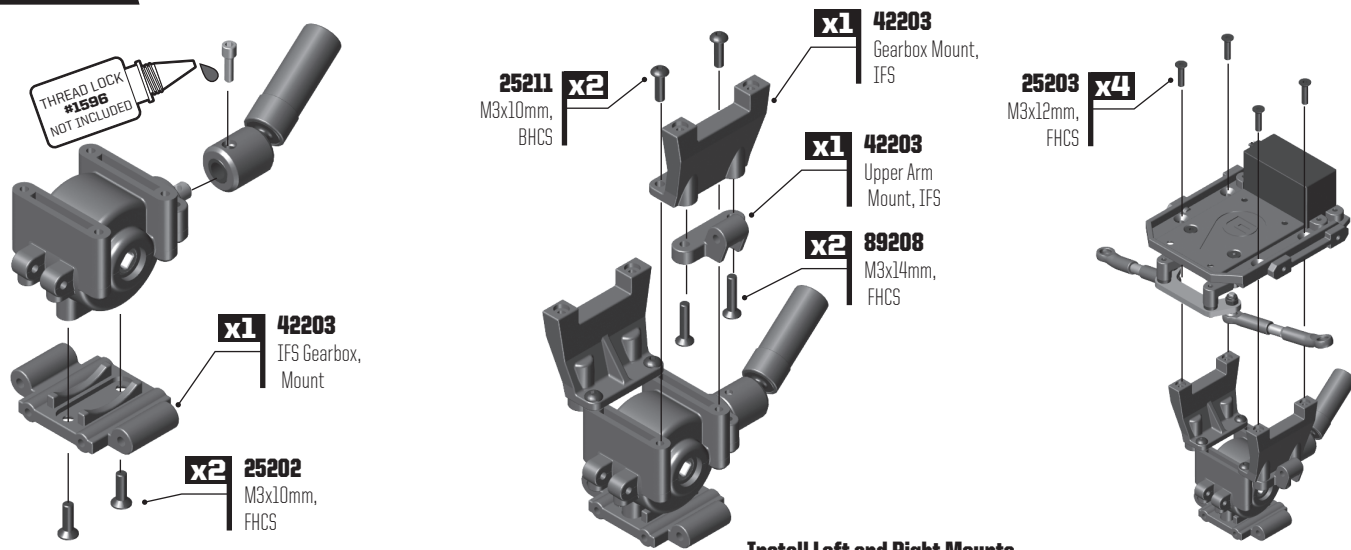
## GATE 02 FRONT GEARBOX BUILD



### Drive Shaft Lengths

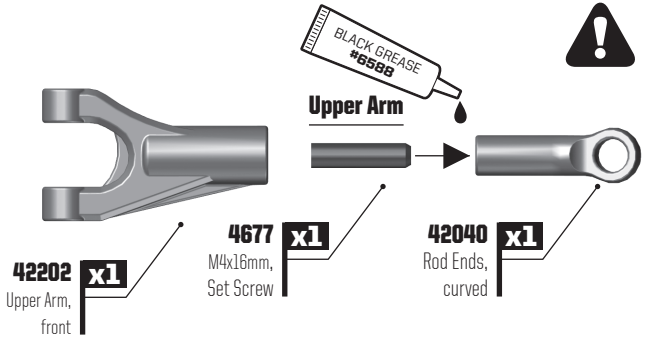
	Front (mm)
Female 1	33
Female 2	33
Male	48

## GATE 03 FRONT GEARBOX BUILD

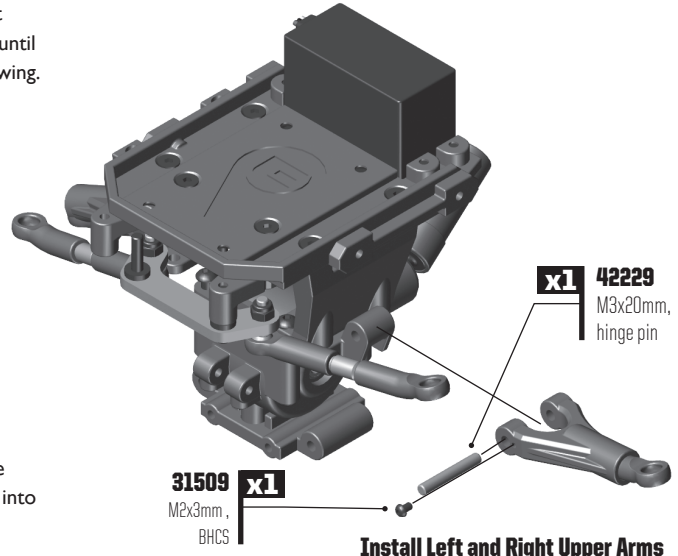


Install Left and Right Mounts

**GATE 01 FRONT SUSPENSION BUILD**



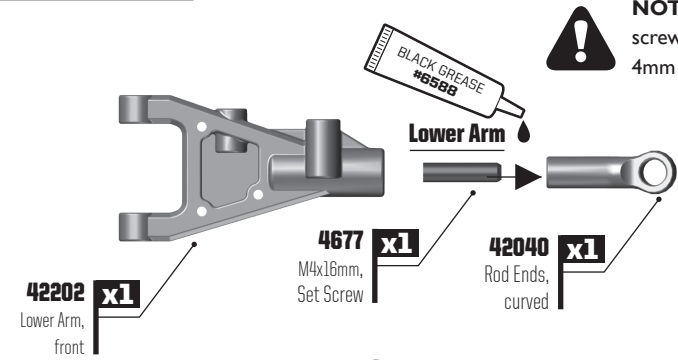
**NOTE:** Thread set screw into ballcup until 4mm thread is showing.



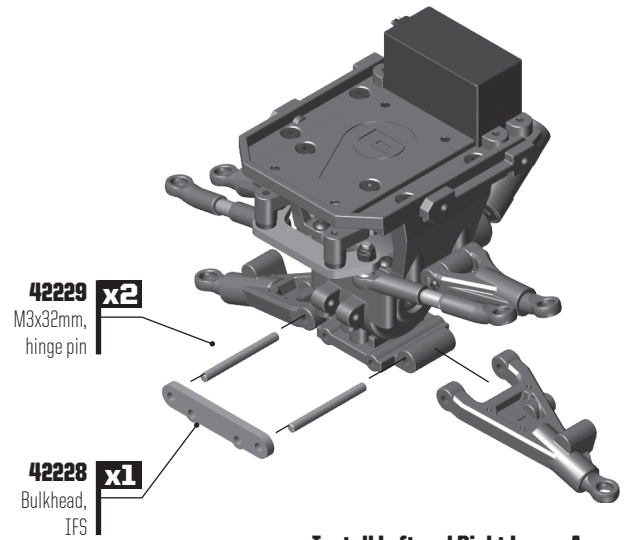
**Build Left and Right Upper Arms**

**Install Left and Right Upper Arms**

**GATE 02 FRONT SUSPENSION BUILD**



**NOTE:** Thread set screw into ballcup until 4mm thread is showing.

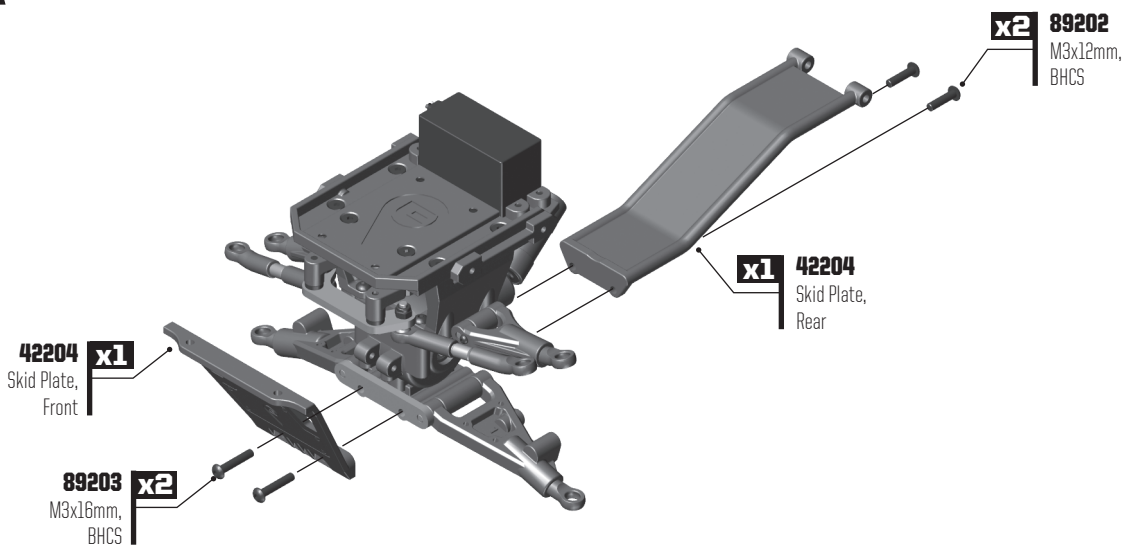


**NOTE:** Thread the exposed set screw into the arm until snug!

**Build Left and Right Lower Arms**

**Install Left and Right Lower Arms**

**GATE 03 FRONT SUSPENSION BUILD**



# GATE 04 FRONT SUSPENSION BUILD

Install Left and Right Steering Blocks

**Build Left and Right Steering Blocks**

- 25211** x2 M3x10mm, BHCS
- 42218** x1 Steering Plate, IFS
- 91560** x1 5x10x4mm, Bearing
- 42062** x1 Steering Block
- 42216** x1 M5.8x8mm, Ballstud, Silver
- 25215** x3 M3 Locknut, Black
- 42216** x2 M5.8x8mm, Shoulder Ballstud
- 91563** x1 10x15x4mm Bearing

**Install Left and Right Steering Blocks**

- 42226** x2 Outdrive, IFS
- 42227** x1 Universal, 55mm
- 42019** x1 Wheel Hex Pin, 2x11mm
- 42069** x1 Wheel Hex, 6mm

# GATE 01 GEARBOX BUILD

**BLACK GREASE #6588**

- 42028** x1 Stealth X Gearbox Drive Gear, 53T
- 42027** x1 Stealth X Gearbox Outdrive, Long
- 31350** x4 2.5x10mm FHCS
- 91563** x2 10x15x4mm Bearing
- 42027** x1 Stealth X Gearbox Drive Gear Shim
- 42027** x1 Stealth X Gearbox Outdrive, Short
- 41077** x4 2.5x14mm FHCS
- 42028** x1 Stealth X Gearbox Drive Gear, 52T

**NOTE:** Make sure the 10x15x4mm bearing is completely seated in the short outdrive

# GATE 02 GEARBOX BUILD

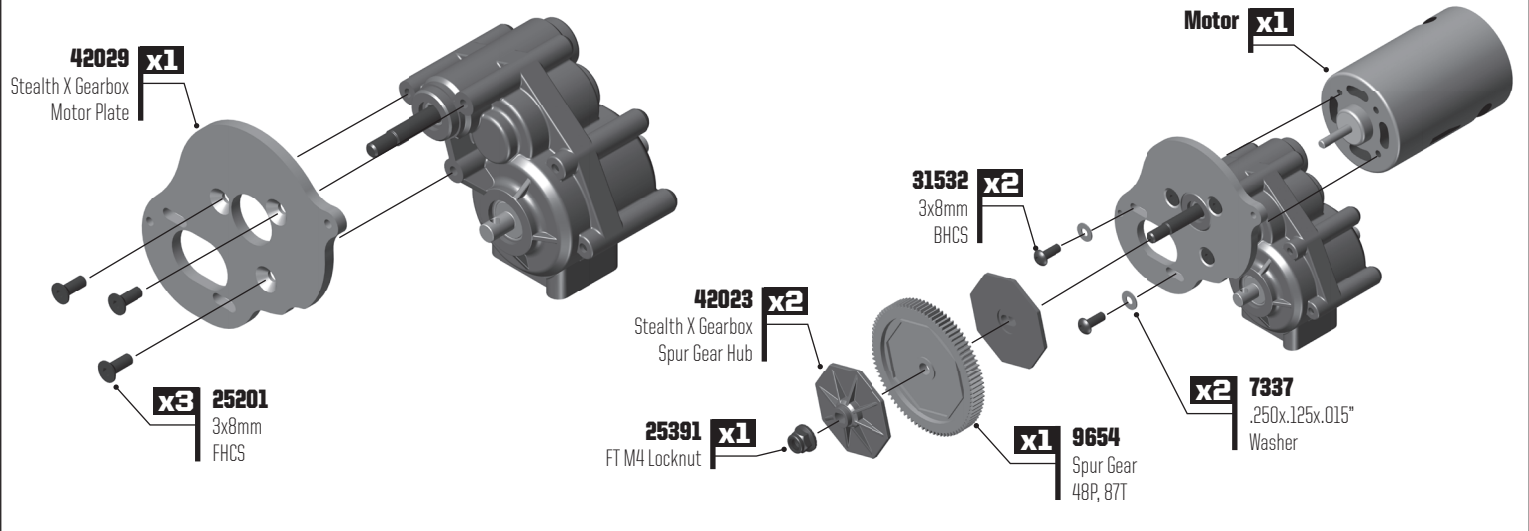
**NOTE:** There are optional gearbox builds on page 28

- 42025** x2 Idler Shaft Pin 2x9mm
- 42025** x1 Stealth X Gearbox Idler Shaft
- 42026** x1 Stealth X Gearbox Idler Gear, 28T
- 42030** x1 Stealth X Gearbox Top Shaft, Rear
- 91560** x4 5x10x4mm Bearing
- 41078** x5 3x28mm BHCS
- 42023** x1 Stealth X Gearbox Case
- 91563** x2 10x15x4mm Bearing
- 42023** x1 Stealth X Gearbox Case

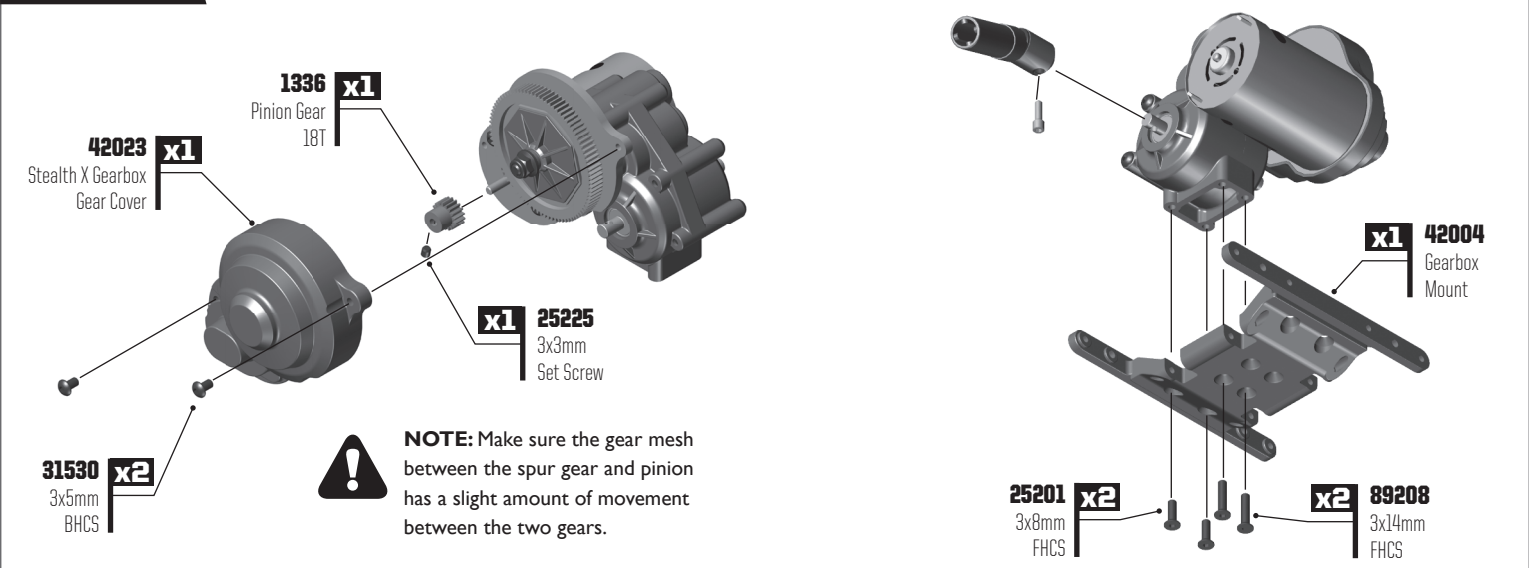
**Over Drive Option I (Stock)**



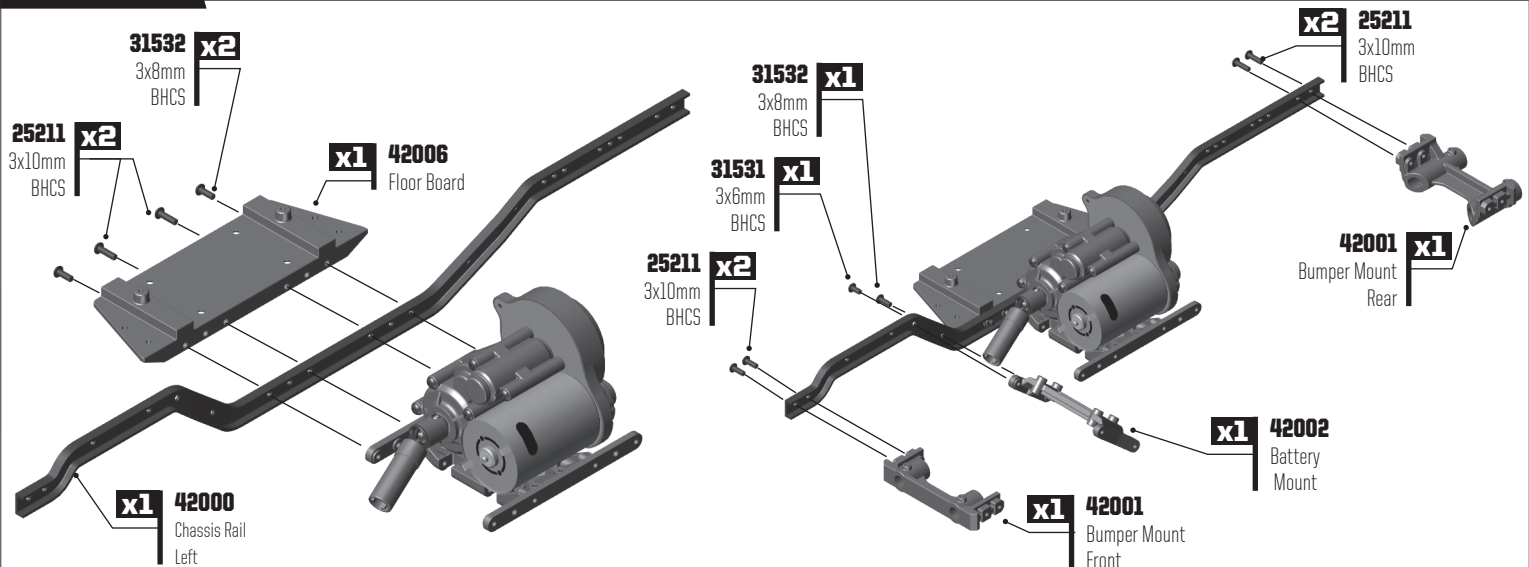
**GATE 03** GEARBOX BUILD



**GATE 04** GEARBOX BUILD



**GATE 01** CHASSIS BUILD





## GATE 05 CHASSIS BUILD

**6338 x1** Antenna Tube and Cap

**x1** **25225** 3x3mm Set Screw

**25202 x4** 3x10mm FHCS

**42006 x1** Receiver Box Lid

**x1** **42007** Receiver Box Grommet

**x8** **89208** 3x14mm FHCS

**42005 x1** Shock Mount (Left, Rear)

**x1** **42225** Shock Mount IFS

**x1** **25211** M3x10mm BHCS

**42005 x1** Shock Mount (Right, Rear)

**LF** (Left Front)

**LR** (Left Rear)

**RR** (Right Rear)

**RF** (Right Front)

**Install Left and Right Front Shock Mounts**

## GATE 01 REAR AXLE BUILD

**x2** **91474** 7x14x3.5mm Bearing

**x1** **42065** Ring Gear, 30T

**x1** **42060** Axle Housing, Differential Cover

**x4** **41086** 2.5x16mm, SHCS

**x2** **91560** 5x10x4mm Bearing

**x1** **42066** Pinion Gear, 8T

**x1** **42061** Axle Housing, Rear

**BLACK GREASE #6588**

## GATE 02 REAR AXLE BUILD

**x1** **42068** Drive Shaft, Rear

**x1** **91560** 5x10x4mm Bearing

**x2** **41089** 3x8mm LP SHCS

**x2** **71032** 2.5x14mm SHCS

**x1** **42060** Lower 4-Link Mount

**x1** **42019** Pin, 2x11mm

**x1** **42069** Wheel Hex, 6mm

**NOTE:** Install left and right side drive shafts

**NOTE:** Install left and right side axle mounts and wheel hexes

**GATE 01 LINKS BUILD**

**NOTE:** Build and install two rear upper links

**x2** 42041 Pivot Ball, Short

BLACK GREASE #6588

**x1** 42018 Link, 121mm

BLACK GREASE #6588

**x2** 42040 Rod End, Curved

**NOTE:** Check the rod end angles before installation

150.00mm

**x1** 25188 3x20mm, BHCS

**x1** 41078 3x28mm BHCS

**x2** 25215 M3 Locknut, Black

**GATE 02 LINKS BUILD**

**NOTE:** Build and install two rear lower links

**x2** 42041 Pivot Ball, Short

BLACK GREASE #6588

**x1** 42018 Link, 127mm

BLACK GREASE #6588

**x2** 42040 Rod End, Curved

**NOTE:** Check the rod end angles before installation

156.00mm

**x1** 4689 3x16mm, Set Screw

**GATE 01 REAR DRIVESHAFT BUILD**

**NOTE:** Build a rear drive shaft

**x2** 42019 Pin, 2x11mm

**x1** 42020 Drive Shaft, Female (33mm, 42mm)

**x2** 31532 3x8mm BHCS

**x2** 42021 Drive Shaft, Male, CVA

**x2** 42021 Drive Shaft Barrel

THREAD LOCK #1596 NOT INCLUDED

THREAD LOCK #1596 NOT INCLUDED

**x1** 42020 Pin Retainer, Short

**x1** 42018 Drive Shaft, Male (75mm)

**x1** 42020 Pin Retainer, Long

**NOTE:** Install the rear drive shaft

**Drive Shaft Lengths**

	Rear (mm)
Female 1	33
Female 2	42
Male	75

**Gearbox Side**

**Axle Side**

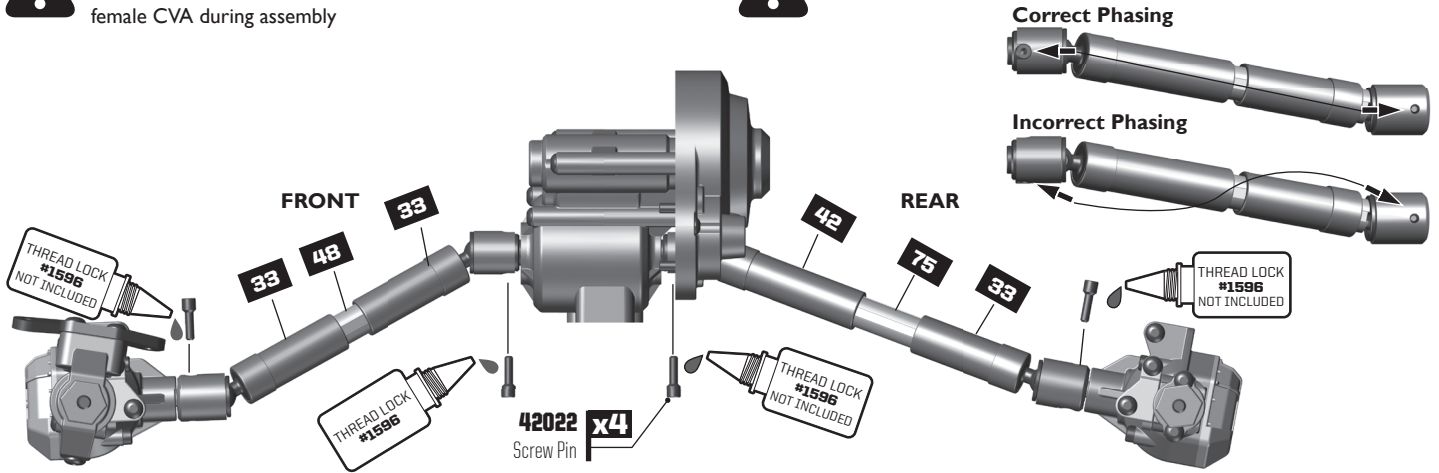
**GATE 01 REAR DRIVESHAFT BUILD**



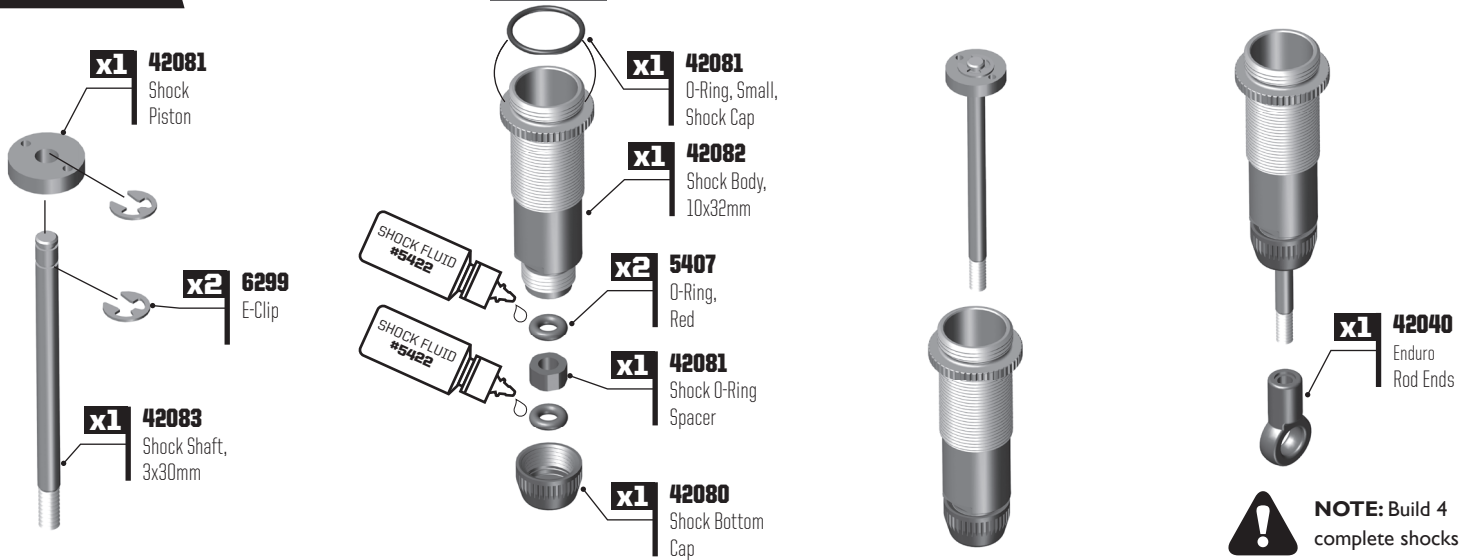
**NOTE:** Make sure the screw pins are aligned with each female CVA during assembly



**NOTE:** Make sure the phasing of the drive shafts is correct when installing them to the axles and gearbox.



**GATE 01 SHOCK BUILD**



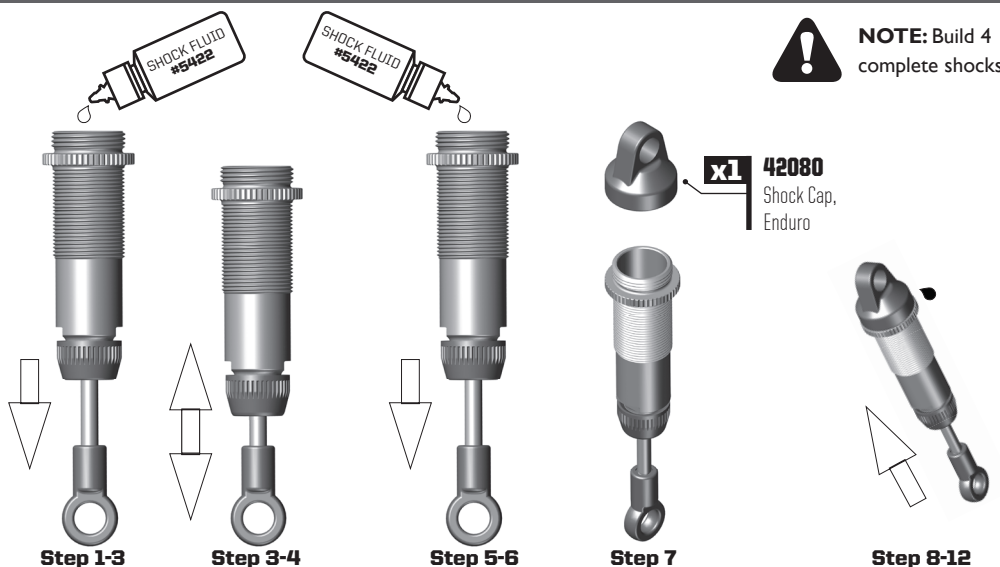
**GATE 02 SHOCK BUILD**

**Shock Bleeding Steps:**

1. Pull shock shaft down.
2. Fill shock body 3/4 full with silicone fluid.
3. Slowly move the shock shaft up and down to remove air from under piston.
4. Wait for bubbles to come to surface.
5. Fill shock body to top with silicone fluid.
6. Place a drop of oil in the cap and on cap threads.
7. Install cap and tighten completely.
8. Slowly compress shaft all the way to the top. If there is pressure at the top of the stroke, there is too much oil or air. You must bleed it out.
9. Slowly pull shaft out.
10. Unscrew the cap 3/4 turn and tilt the shock at a slight angle.
11. Slowly compress the shaft to push out excess oil and air. You should see bubbles coming out from under the cap.
12. With the shaft compressed, tighten the cap and re-check for pressure at the top of the stroke. If there is still pressure, repeat steps 9 thru 11.



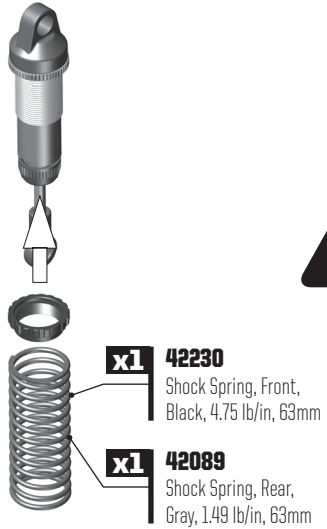
**NOTE:** Build 4 complete shocks



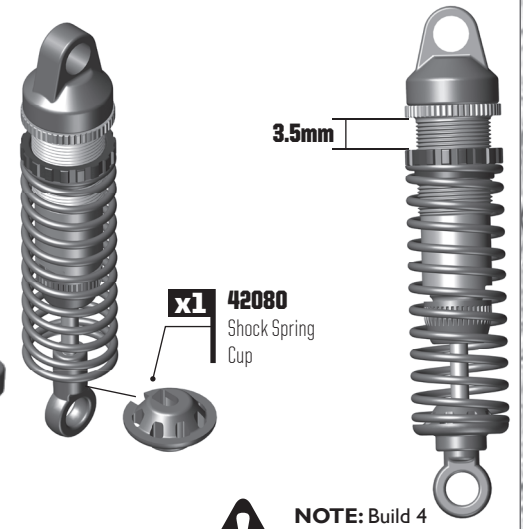
## GATE 03 SHOCK BUILD



**NOTE:** Seat O-Ring into the groove on the inside of the shock collar

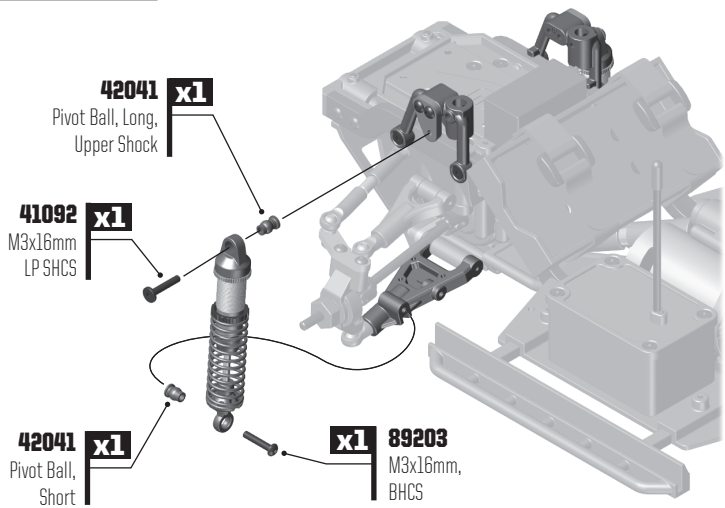


**NOTE:** Optional Bump Stop Limiter for the shocks.  
Front: 7mm  
Rear: 5mm

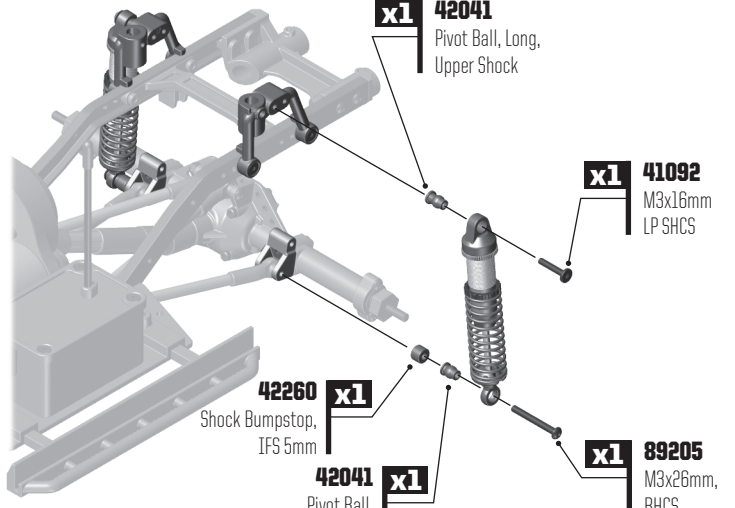


**NOTE:** Build 4 complete shocks

## GATE 04 SHOCK BUILD

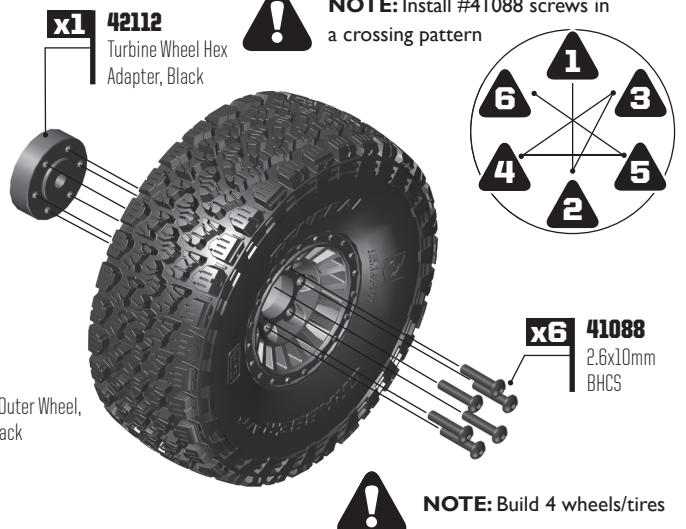
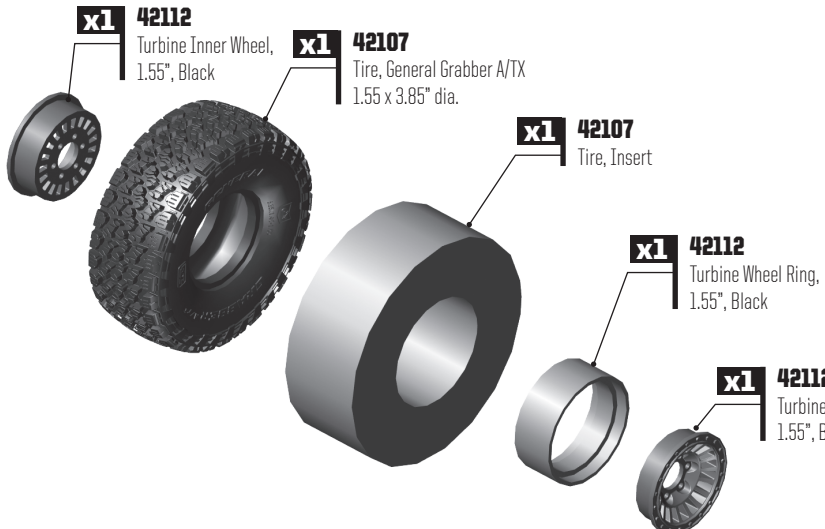


Install Left and Right Front Shocks



Install Left and Right Rear Shocks

## GATE 01 WHEELS / TIRES BUILD



**NOTE:** Install #41088 screws in a crossing pattern



**NOTE:** Build 4 wheels/tires

## GATE 02 WHEELS / TIRES BUILD

**2308** **x2** 3x18mm, BHCS

**x1** **25211** 3x10mm BHCS

**x1** **42247** Trailrunner Exhaust, Magnaflow

**x2** **42112** Turbine Wheel Nut Cap, Black

**x2** **25391** FT M4 Locknut, Blue

**NOTE:** Install 4 wheels/tires

## GATE 01 BODY BUILD

**NOTE:** Install 2 front body mounts, 2 rear body mount

**x4** **42009** Body Mount, Short Pin

**x4** **42022** Screw Pin

**Front Post** **Rear Post**

## GATE 02 BODY BUILD

**91158** **x2** 3x4mm, BHCS

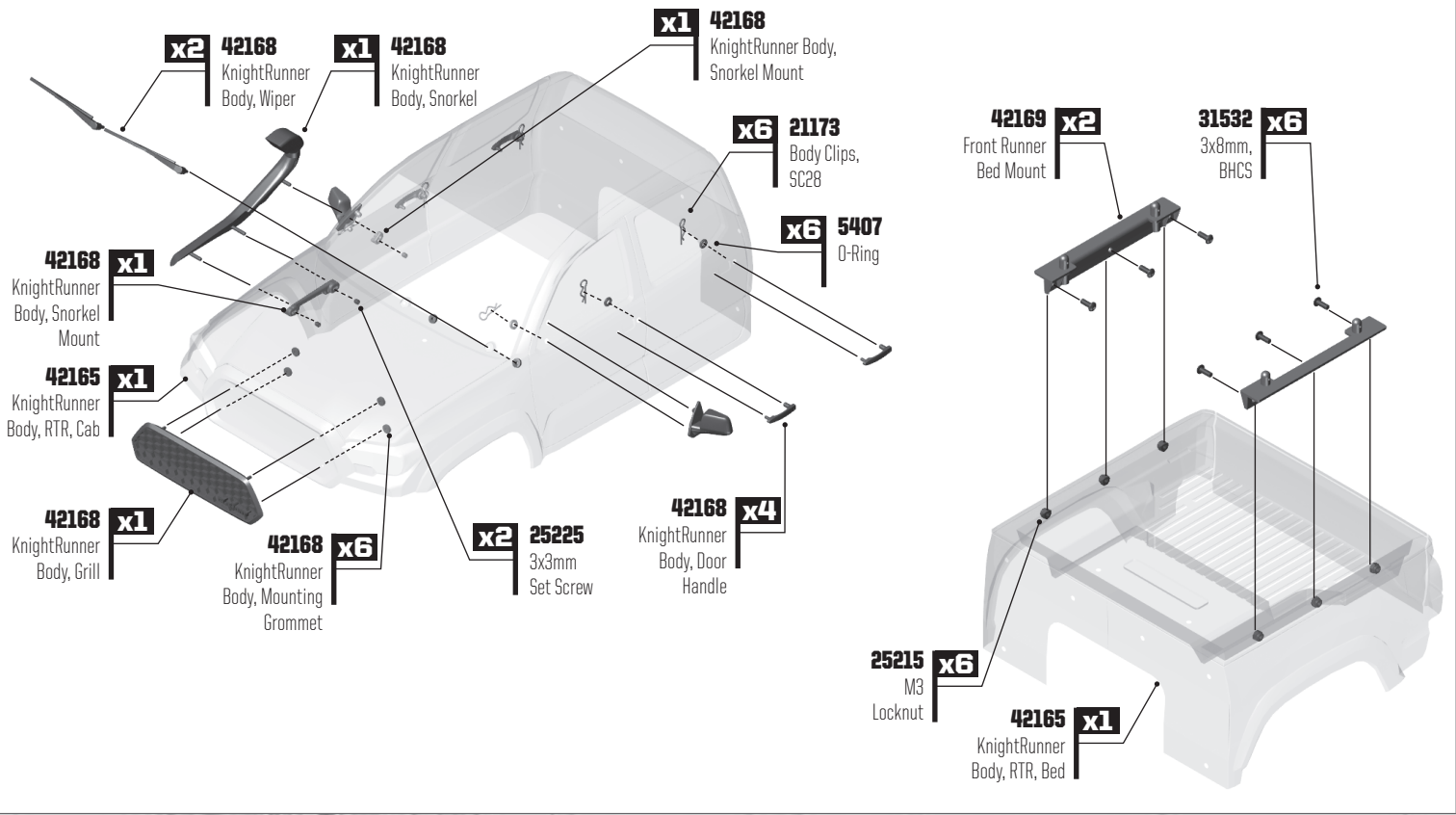
**42170** **x1** Demello KnightRunner Front Bumper

**x2** **2308** 3x18mm BHCS

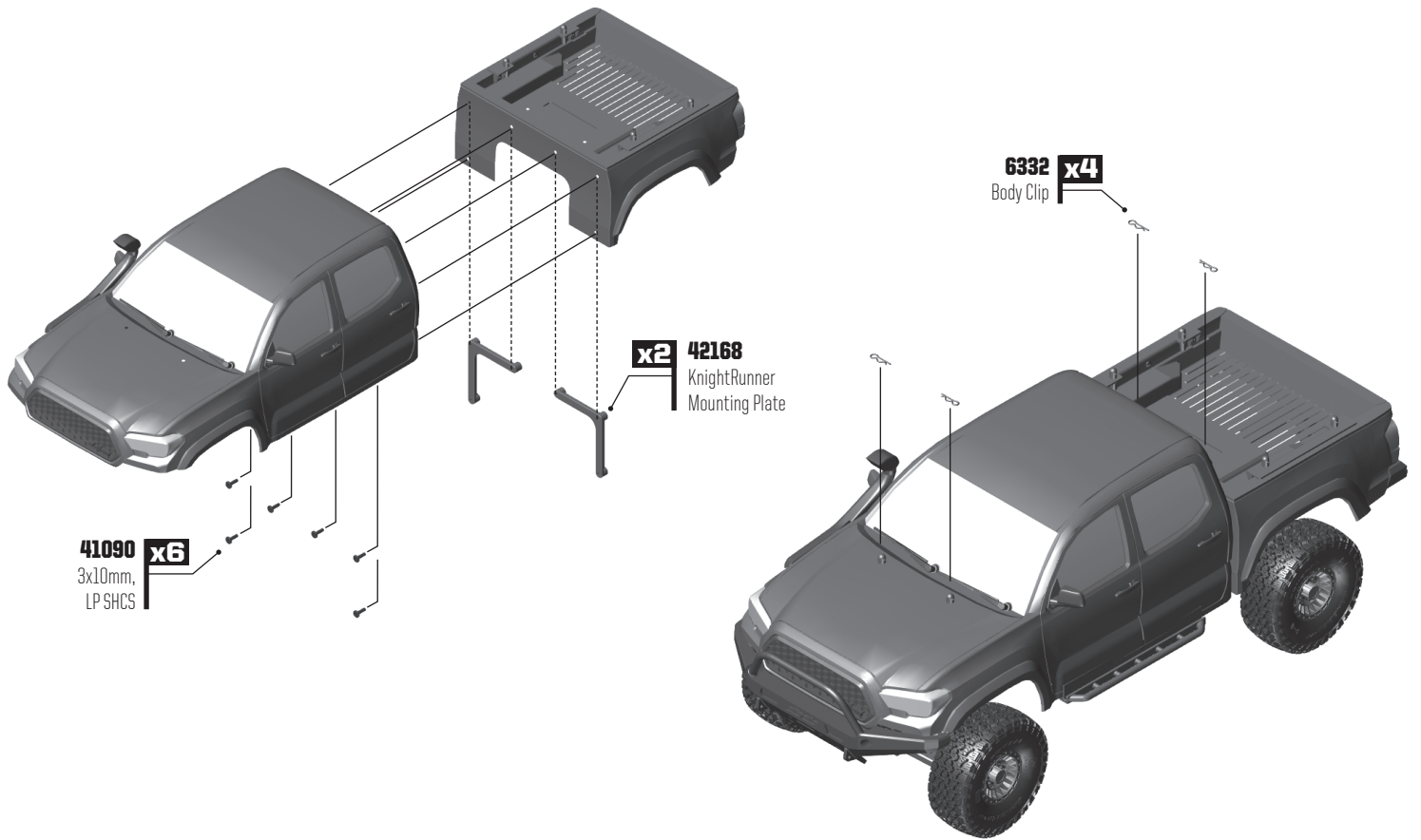
**42170** **x1** Demello KnightRunner Rear Bumper

**x2** **2308** 3x18mm BHCS

**GATE 03** BODY BUILD

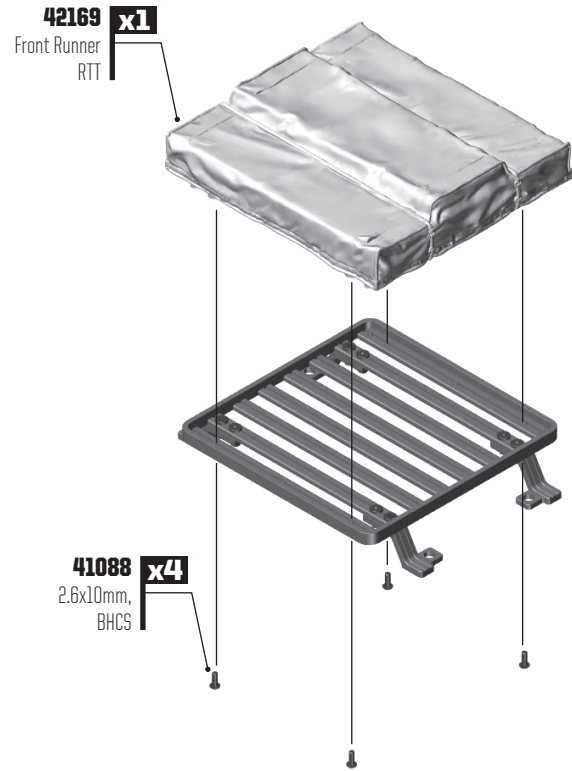
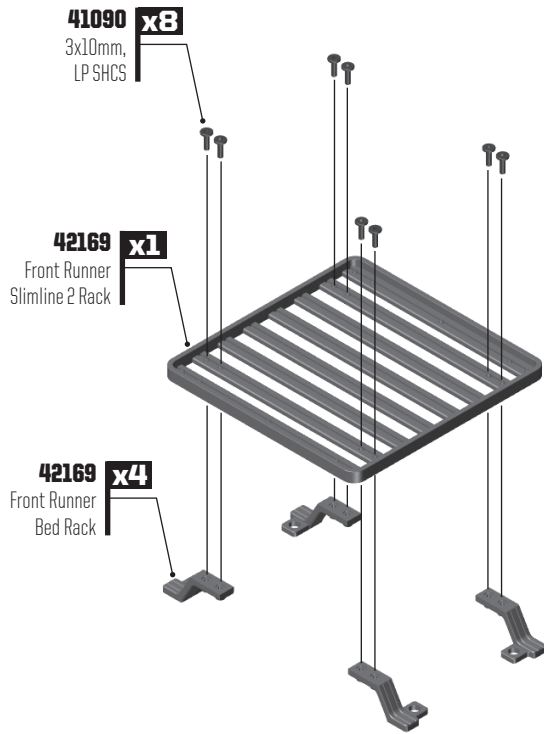


**GATE 04** BODY BUILD

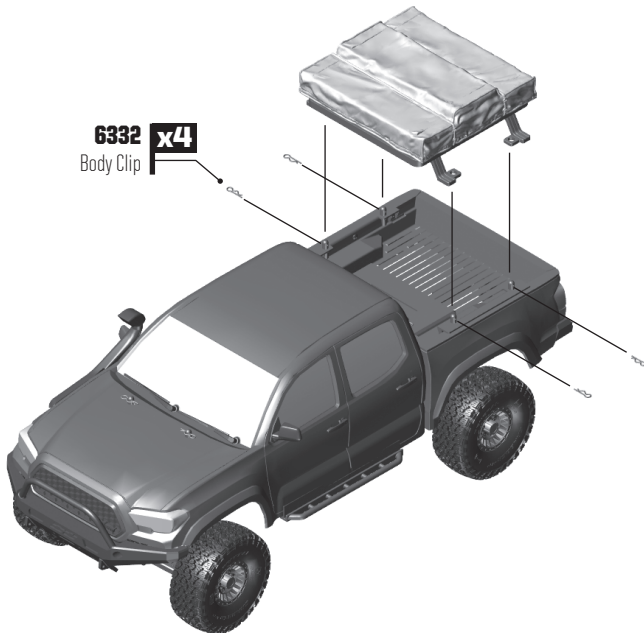




## GATE 05 BODY BUILD - OPTIONAL BUMPER SETUPS

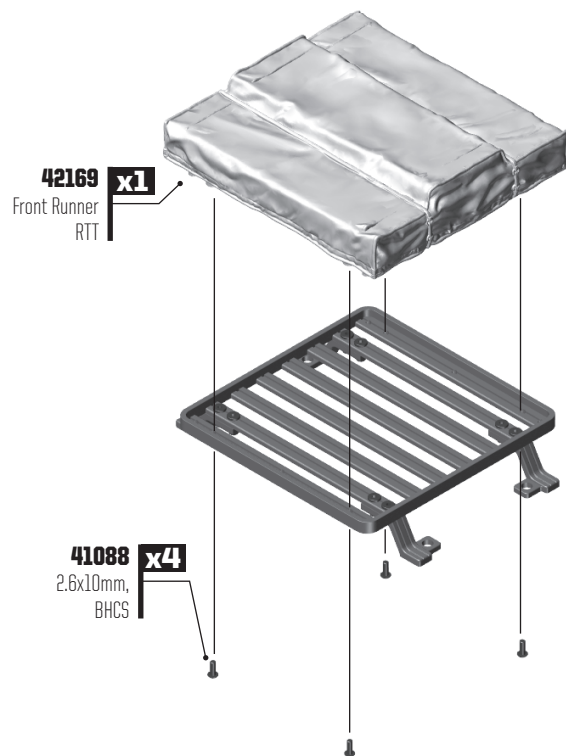
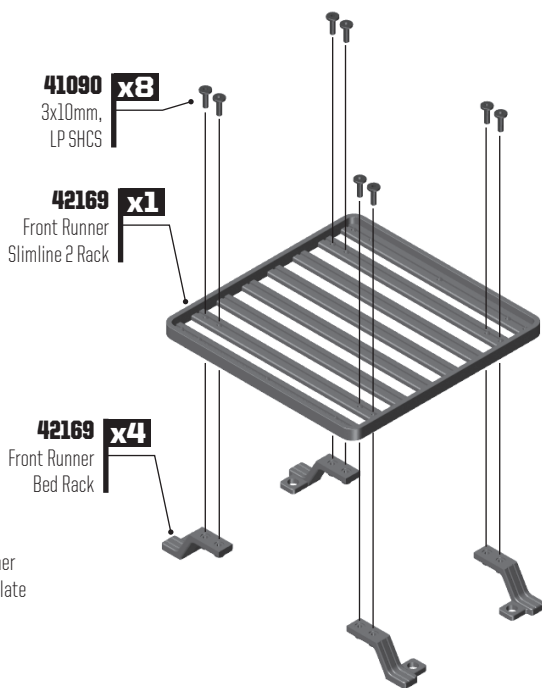
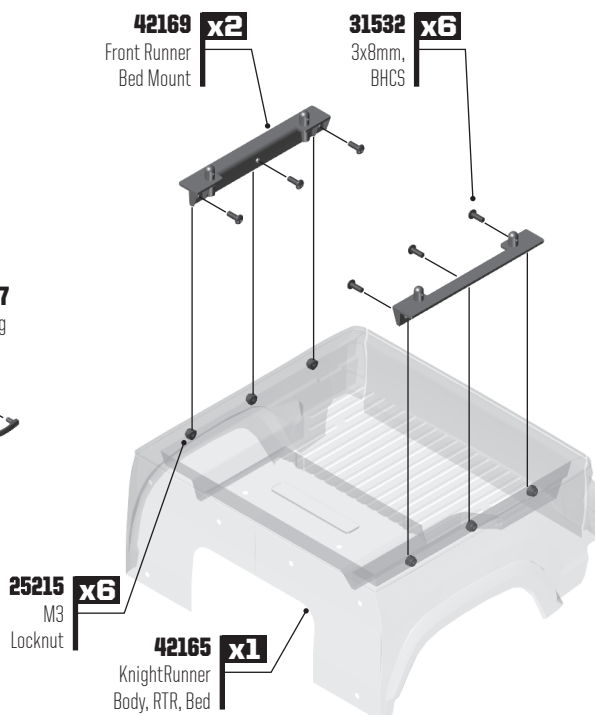
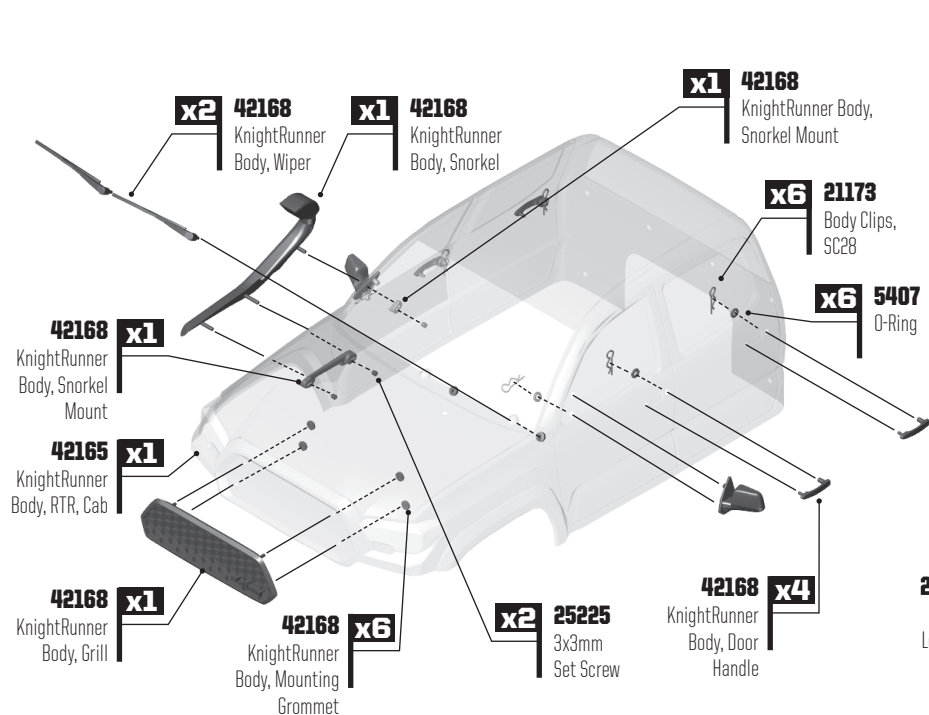


## GATE 06 BODY BUILD - OPTIONAL BUMPER SETUPS



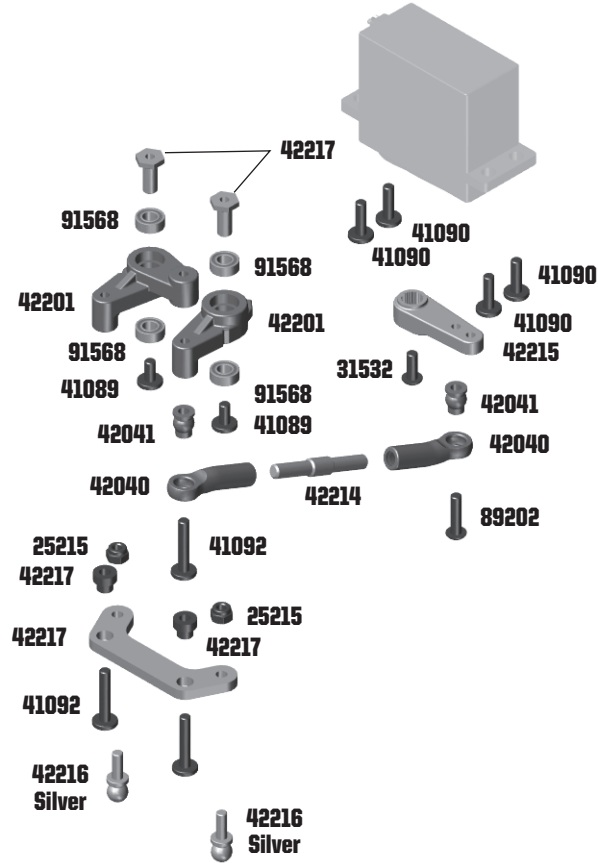
# Body and Accessories

5407	Washers, .250 x .125 x .015	8
21173	Body Clips	10
25215	Locknuts, M3 Black	10
25225	M3x3mm Set Screws	10
31532	M3x8mm BHCS	10
41088	M2.6x10mm BHCS	10
41090	M3x10mm Low Profile SHCS	10
42165	KnightRunner Body, RTR	1
42168	KnightRunner Body Accessories	1
42169	Front Runner Bed Rack and RTT Set	1



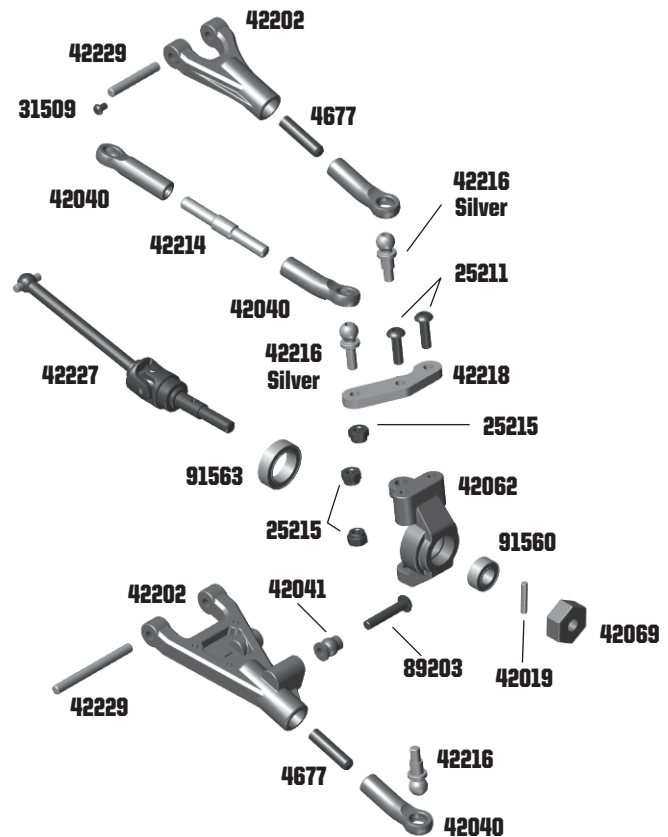
## IFS Steering

25215	Locknuts, M3	10
31532	M3x8mm BHCS	10
41089	M3x6mm LP SHCS	10
41090	M3x10mm LP SHCS	10
41092	M3x16mm LP SHCS	10
42040	Enduro Rod Ends, Set	1
42041	Enduro Pivot Ball Set	1
42201	Enduro IFS Steering Bellcranks	1
42214	Enduro IFS Links	3
42215	Enduro IFS Servo Horn	1
42216	Enduro IFS Ballstuds, 5.8mm Set	1
42217	Enduro IFS Steering Rack	1
89202	M3x12mm BHCS	10
91568	M4x8x3mm Bearings	4



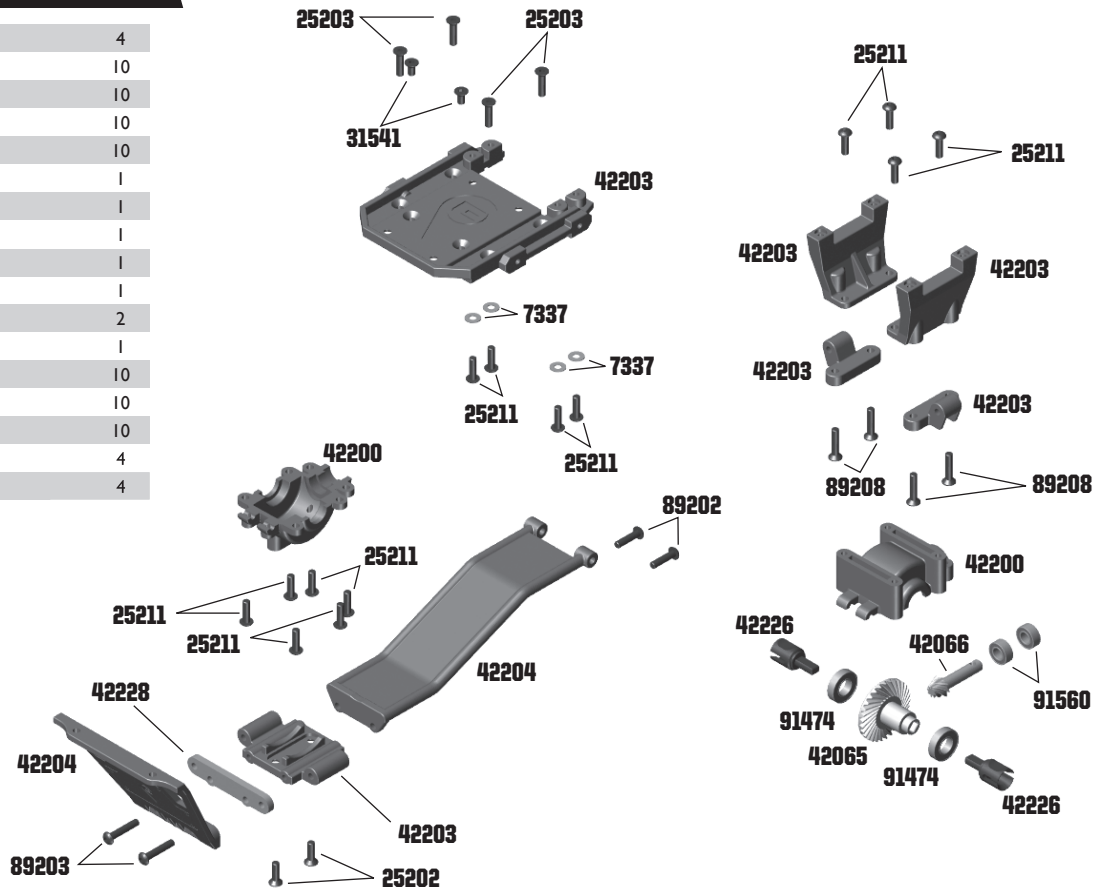
## IFS Arms

4677	M4x16mm Set Screw	10
25211	M3x10mm BHCS	10
25215	Locknuts, M3	10
31509	M2x3mm BHCS	10
42019	M2x11mm Driveshaft Pins	10
42040	Enduro Rod Ends, Set	1
42041	Enduro Pivot Ball Set	1
42062	Enduro Caster and Steering Blocks Set	1
42069	Enduro Wheel Hexes, 6mm	4
42202	Enduro IFS Suspension Arms Set	1
42214	Enduro IFS Links, 32mm	3
42216	Enduro IFS Ballstuds, 5.8mm Set	1
42218	Enduro IFS Steering Plates	1 ea.
42227	Enduro IFS Universals 55mm	2
42229	Enduro IFS Hinge Pins Set	1
89203	M3x16mm BHCS	10
91560	FT M5x10x4mm Bearings	4
91563	FT M10x15x4mm Bearings	4



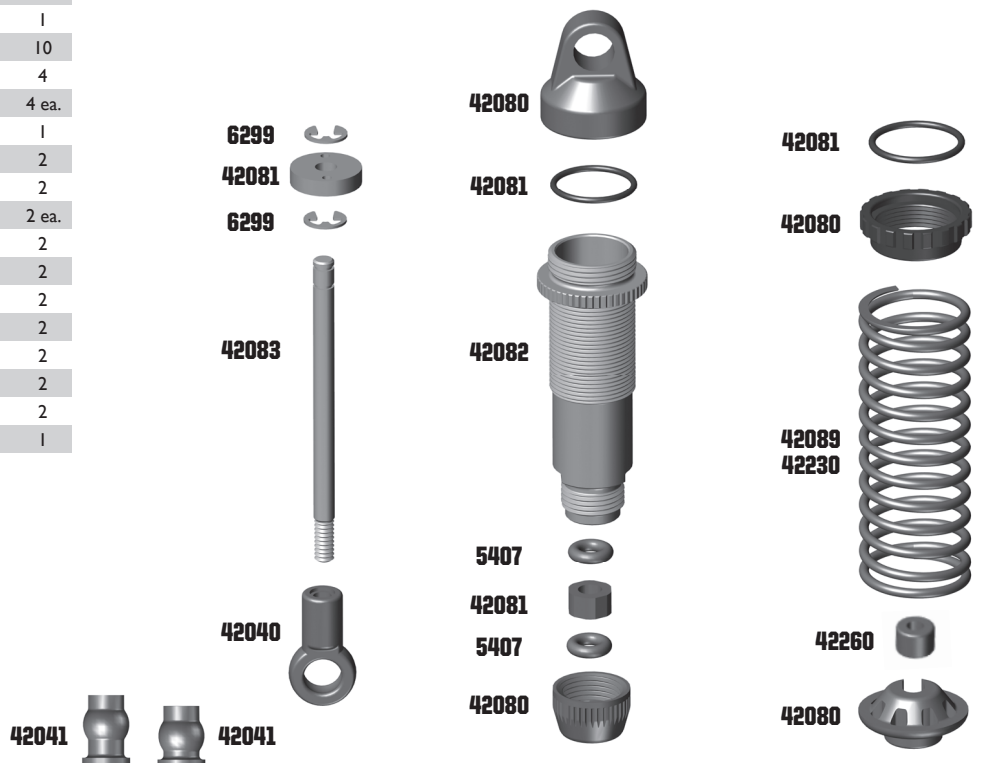
# IFS Front End

7337	Washers, .250 x .125 x .015	4
25202	M3x10mm FHCS	10
25203	M3x12mm FHCS	10
25211	M3x10mm BHCS	10
31541	M3x6mm FHCS	10
42065	Enduro Ring Gear, 30T	1
42066	Enduro Pinion Gear, 8T	1
42200	Enduro IFS Gearbox	1
42203	Enduro IFS Gearbox and Servo Mounts	1
42204	Enduro IFS Skid Plates	1
42226	Enduro IFS Outdrives	2
42228	Enduro IFS Bulkhead Brace	1
89202	M3x12mm BHCS	10
89203	M3x16mm BHCS	10
89208	M3x14mm FHCS	10
91474	M7x14x3.5mm Bearings	4
91560	FT M5x10x4mm Bearings	4



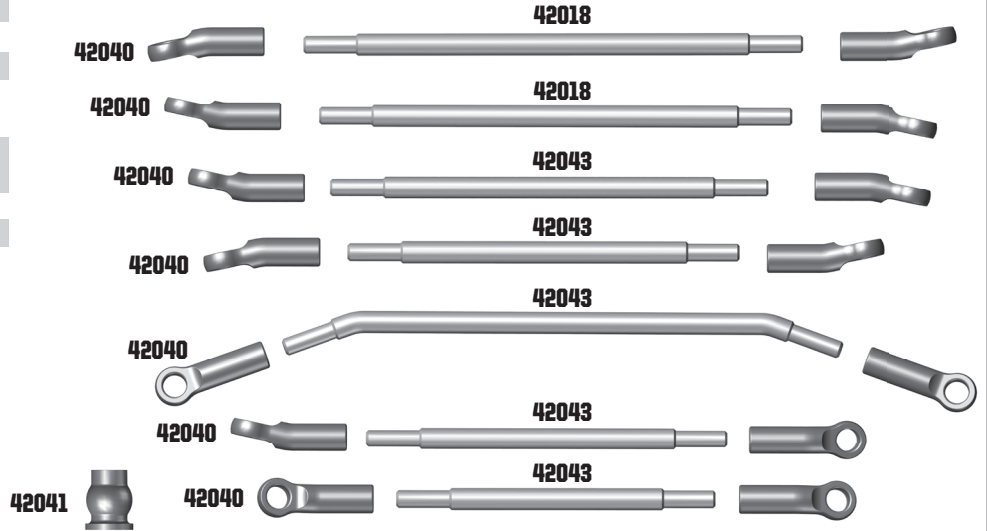
# Shocks

5407	O-Rings, Red, Silicone	8
6299	E-Clipp, 1/8"	12
42040	Enduro Rod Ends	2
42041	Enduro Pivot Balls Set	1
42054	FT Enduro Pivot Ball, Steel	10
42055	FT Enduro Shock Bushing, Steel	4
42080	Enduro Shock Parts	4 ea.
42081	Enduro Shock Internals	1
42082	Enduro Shock Body, Silver, 10x32mm	2
42083	Enduro Shock Shaft, 3x30mm	2
42085	Enduro Shock Parts, Blue Aluminum	2 ea.
42086	FT Enduro Shock Body, Bronze, 10x32mm	2
42087	Shock Spring, Green 0.71 lb/in, 63mm Long	2
42088	Shock Spring, White, 0.95 lb/in, 63mm Long	2
42089	Shock Spring, Gray, 1.49 lb/in, 63mm Long - KIT	2
42090	Shock Spring, Blue, 2.09 lb/in, 63mm Long	2
42091	Shock Spring, Yellow, 2.47 lb/in, 63mm Long	2
42230	Shock Spring, Black, 4.75 lb/in, 63mm Long	2
42260	Spacer Set, 3x7mm, plastic	1



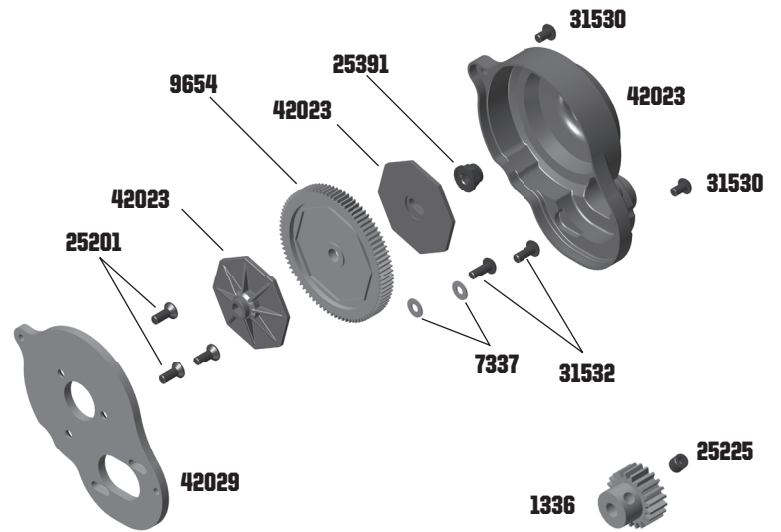
## Tie Rods/Links

42018	Enduro 12.8 in Wheelbase Conversion	1
42040	Enduro Rod Ends	1
42041	Enduro Pivot Balls Set	1
42043	Enduro Front Links Set (Steering, 73mm, 83mm, 90mm, 100mm)	1
42044	Enduro Rear Links Set (96mm, 100mm, 108mm, 114mm)	1
42054	FT Enduro Pivot Balls, Steel	10
42055	FT Enduro Shock Bushings, Steel	4



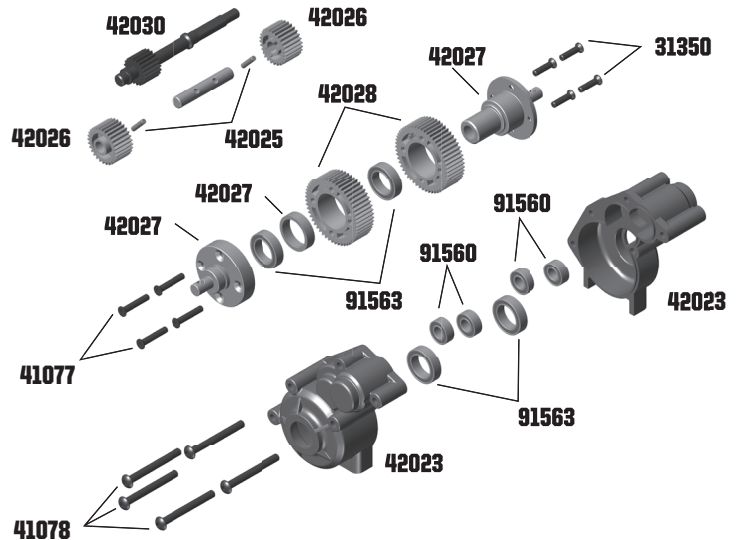
## Motor Mount

1336	18T 48P Aluminum Pinion	1
7337	Washers, .250 x .125 x .015	4
9654	Spur Gear, 87T, 48P	1
25201	M3x8mm FHCS	10
25225	M3x3mm Set Screw	10
25391	FT M4 Locknuts, Blue	10
31530	M3x5mm BHCS	10
31532	M3x8mm BHCS	10
42023	Stealth X Gearbox (Case, Gear cover, Spur Gear Hubs)	1
42029	Stealth X (Motor Plate)	1



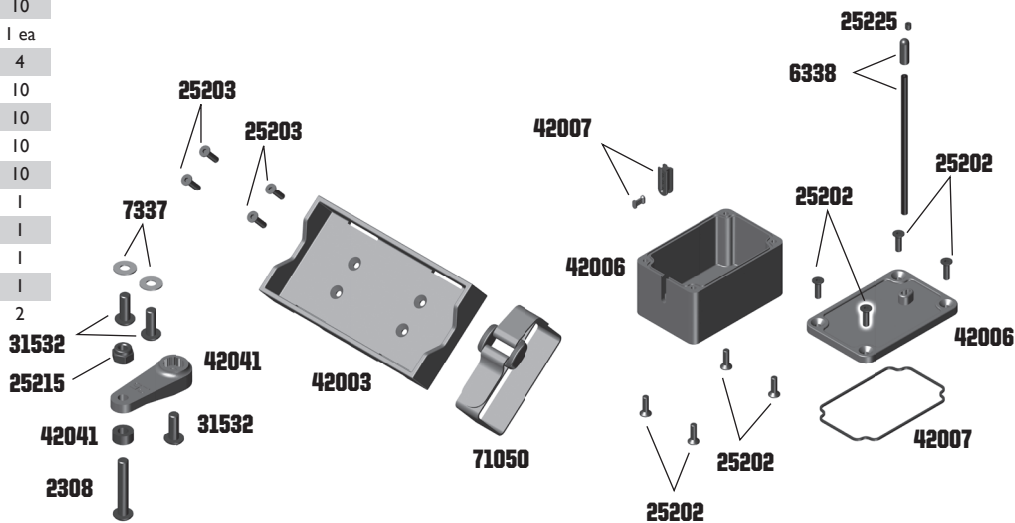
## Transmission

31350	M2.5x10mm FHCS	10
41077	M2.5x14mm FHCS	10
41078	M3x28mm BHCS	10
42023	Stealth X Gearbox (Case, Spur Gear Hubs, Gear Cover)	1
42025	Stealth X Idler Shaft, Idler Shim, Pins	1
42026	Stealth X Idler Gear (26T, 27T, 28T)	1 ea
42027	Stealth X Outdrives	1
42028	Stealth X Drive Gear Set	1
42030	Stealth X Top Shaft (Stock Gearbox)	1
91560	FT Bearings, 5x10x4mm	4
91563	FT Bearings, 10x15x4mm	4



## Battery Tray/Radio Box

2308	M3x18mm BHCS	10
6338	Antenna Tube and Cap	1 ea
7337	Washers, .250 x .125 x .015	4
25202	M3x10mm FHCS	10
25203	M3x12mm FHCS	10
25215	M3 Locknut	10
31532	M3x8mm BHCS	10
42003	Enduro Battery Box (Small x1, Standard x1)	1
42006	Enduro Receiver Box (Bottom, Top)	1
42007	Enduro Receiver Box (Grommet, Plug, Gasket)	1
42041	Enduro Servo Horn, Spacer, Pivot Balls	1
71050	Hook and Loop Straps	2



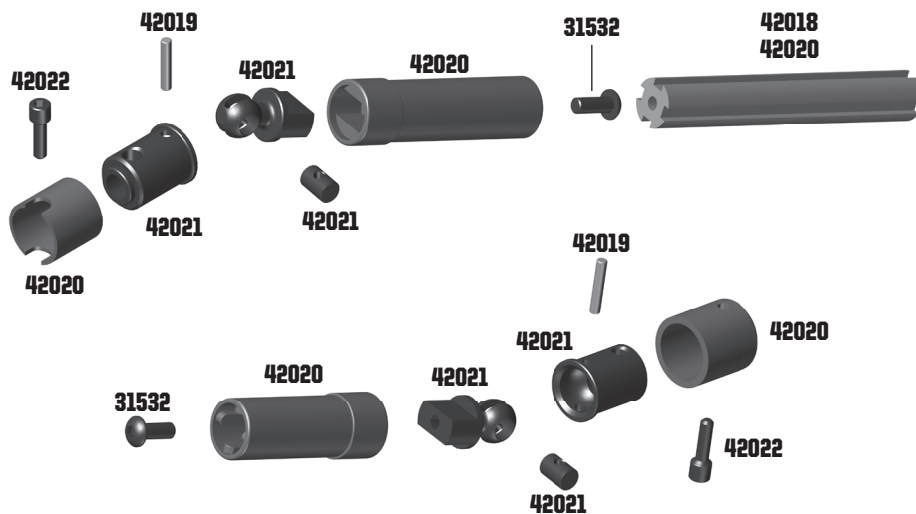
## Bumpers/Body Mounts

2308	M3x18mm BHCS	10
41092	M3x16mm LP SHCS	10
42005	Shock Mount Set	1 ea
42009	Enduro Body Posts (4 Short, 1 Tall)	4
42022	Screw Pin, 4x12mm	6
42041	Enduro Pivot Ball Set	1
42170	KnightRunner Bumper Set	1
89208	M3x14mm FHCS	10
91158	M3x4mm BHCS	10



## Drive Shafts

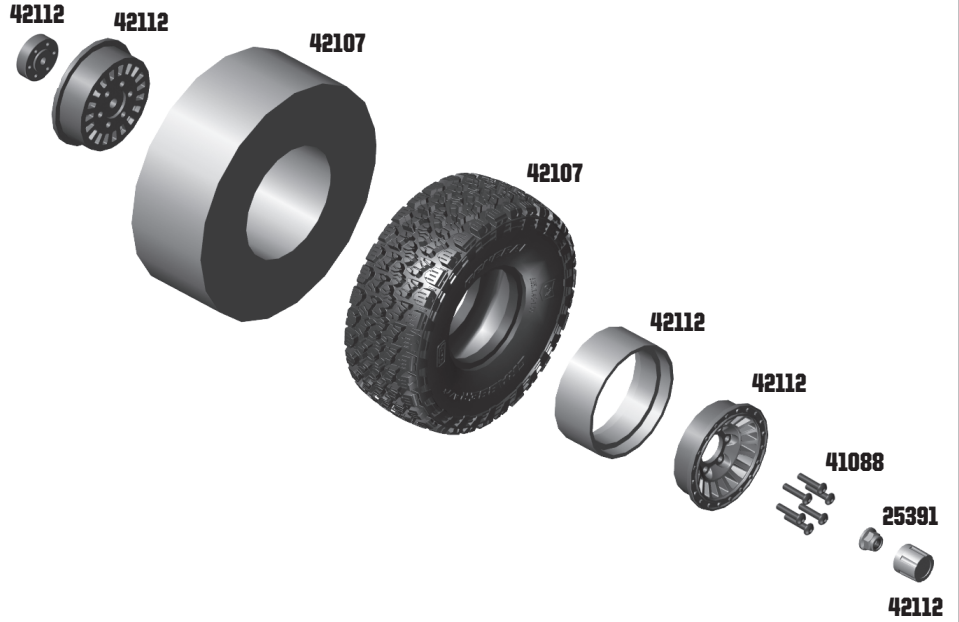
31532	M3x8mm BHCS	10
42018	Enduro 12.8 in Wheelbase Conversion	1
42019	Driveshaft Pin, M2x11mm	10
42020	Enduro Drive Shaft Parts, Molded	1
42021	Enduro Drive Shaft Parts, Machined	1
42022	Screw Pin, 4x12mm	6





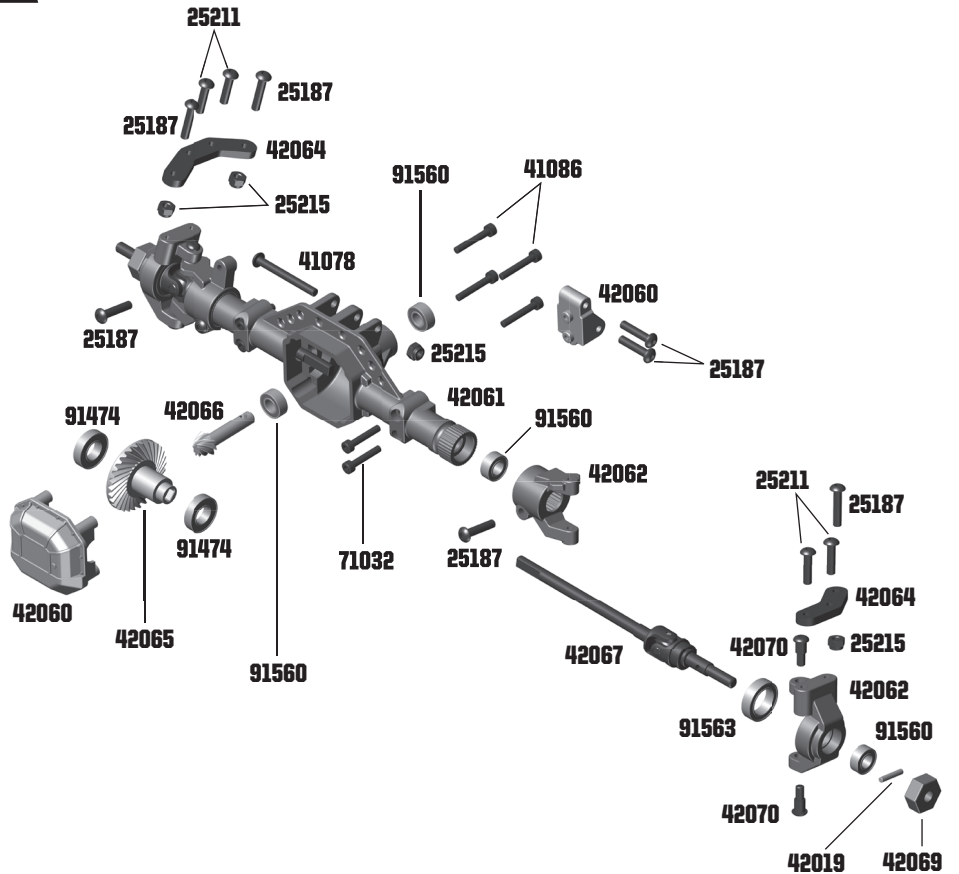
# Wheel/Tire

25391	FT M4 Locknuts, Blue	10
41088	M2.6x10mm SHCS	10
42100	Enduro Method 701 Trail Series Wheel, 1.9" Bronze	4
42101	Enduro Method 701 Trail Series Wheel, 1.9" Black	4
42102	FT Enduro Beadlock Rings, Brass	4
42103	FT Enduro Beadlock Hex Adapter, Aluminum	4
42104	FT Enduro Beadlock Hex Adapter, Brass	4
42105	FT Tire Insert, 1.9"	2
42106	General Grabber X3 Tire w/Insert (1.9x4.65" DIA)	2
42107	General Grabber ATX Tire w/Insert - KIT (1.55" x 3.85" DIA)	2
42108	Enduro The Ocho Wheel, 1.9" Silver	4
42109	Enduro The Ocho Wheel, 1.9" Black	4
42110	Enduro Trigon Wheel, 1.55" Silver	4
42111	Enduro Trigon Wheel, 1.55" Black	4
42112	Enduro Turbine Wheel, 1.55" Black	4



# Front Axle - Optional

25187	M3x14mm BHCS	10
25211	M3x10mm BHCS	10
25215	M3 Locknut	10
41078	M3x28mm BHCS	10
41086	M2.5x16mm SHCS	10
42019	Enduro 2x11mm Pin	10
42060	Enduro Diff Cover and Lower 4-Link Mounts	1
42061	Enduro Axle Housing (Front, Rear)	1 ea.
42062	Enduro Caster Blocks and Steering Blocks	1 ea.
42064	Enduro Steering Block Arms	1 ea.
42065	Enduro Ring Gear, 30T	1
42066	Enduro Pinion Gear, 8T	1
42067	Enduro Front Universal, Driveshaft, 80mm	2
42069	Enduro Wheel Hex, 6mm	4
42070	Enduro Shoulder Screw (M3x10mm)	6
71032	M2.5x14mm SHCS	10
91474	FT Bearings, 7x14x3.5mm	4
91560	FT Bearings, 5x10x4mm	4
91563	FT Bearings, 10x15x4mm	4





## SHOCK FLUIDS

5420	10 Weight Silicone Shock Fluid	2oz.
5421	20 Weight Silicone Shock Fluid	2oz.
5422	30 Weight Silicone Shock Fluid	2oz.
5423	40 Weight Silicone Shock Fluid	2oz.
5424	22.5 Weight Silicone Shock Fluid	2oz.
5425	80 Weight Silicone Shock Fluid	2oz.
5426	27.5 Weight Silicone Shock Fluid	2oz.
5427	15 Weight Silicone Shock Fluid	2oz.
5428	25 Weight Silicone Shock Fluid	2oz.
5429	35 Weight Silicone Shock Fluid	2oz.
5430	45 Weight Silicone Shock Fluid	2oz.
5431	55 Weight Silicone Shock Fluid	2oz.
5432	32.5 Weight Silicone Shock Fluid	2oz.
5433	37.5 Weight Silicone Shock Fluid	2oz.
5434	42.5 Weight Silicone Shock Fluid	2oz.
5435	50 Weight Silicone Shock Fluid	2oz.
5436	60 Weight Silicone Shock Fluid	2oz.
5437	70 Weight Silicone Shock Fluid	2oz.
5438	47.5 Weight Silicone Shock Fluid	2oz.

## BODIES & DECALS

5407	O-Rings, Red, Silicone	8
6332	Body Clips	10
7187	M2x8mm SHCS	10
21173	Body Clips, Small	10
25203	M3x12mm FHCS	10
31509	M2x3mm BHCS	10
31511	M2x5mm SHCS	10
31531	M3x6mm BHCS	10
41079	M2.5x6mm SHCS	10
42120	Sendero Body Set, Clear (with Black Body Accessories)	1
42121	Sendero Body, Clear (Cab, Bed, Window Masks)	1
42122	Sendero Body Decal Sheet	1
42123	Sendero Body Accessories, Black	1
42124	Sendero Body Accessories, Chrome	1
42125	Sendero Body Accessories, Satin Chrome	1
42126	Sendero Bumpers (Front, Rear, and Fairlead), Black	1
42127	FT Sendero Fairlead, Aluminum	1
42128	FT Sendero Fairlead, Gunmetal Aluminum	1
42129	FT Sendero Fairlead, Green Aluminum	1
42130	FT Sendero Fairlead, Blue Aluminum	1
42132	Sendero Inner Fenders	1
42133	Element Decal Sheet	1
42140	Trail Walker Body Set, Clear	1
42141	Trail Walker Body, Clear	1
42142	Trail Walker Decal Set	1
42143	Trail Walker Body Accessories, Black	1
42144	Trail Walker Body Accessories, Silver	1
42145	Trail Walker Body Accessories, Grommets	1
42147	Trail Walker Body, Rear Shell	1
42165	KnightRunner Body, RTR	1
42166	KnightRunner Body Set, Clear	1
42167	KnightRunner Decal Sheet	1
42168	KnightRunner Body Accessories	1
42169	Front Runner Bed Rack and RTT Set	1
42238	Trailrunner Body Set, Fire	1
42240	Trailrunner Body Set, White	1
42241	Trailrunner Body Set, Clear	1
42242	Trailrunner Decal Sheet	1
42243	Trailrunner Body Accessories	1
42244	Trailrunner Bumper Set	1
42245	Trailrunner Rock Sliders	2
42246	Trailrunner Rock Sliders, Hard	2
42247	Trailrunner Exhaust, Magnaflow	1

## OPTION PARTS

42010	Enduro Bumper Mounts, Hard	1
42013	Enduro Shock Mount Set, Hard	1
42014	Enduro Floor Board, Receiver Box, Hard	1
42015	Enduro Rock Slider, Hard	1
42018	Enduro 12.8" Wheelbase Conversion	1
42024	Stealth X Gearbox Top Shaft, Inverse Gearbox	1
42031	FT Stealth X Gearbox Idler Gear Set, Machined	1
42032	FT Stealth X Gearbox Drive Gear Set, Machined	1
42033	FT Stealth X Spur Gear Hub, Aluminum	2
42034	Stealth X Gearbox, Complete	1
42045	FT Enduro High Clearance Link Set	1
42054	FT Pivot Ball, Steel (6mm)	10
42055	FT Pivot Ball, Shock Bushing, Steel	4
42056	FT Enduro Pivot Ball Set, Steel	1
42058	FT Enduro Ring Gear Spool	1
42059	FT Enduro Ring Gear, Machined 30T	1
42071	Enduro Diff Cover and Lower 4-Link Mounts, Hard	1
42072	Enduro Axle Housing (Front, Rear), Hard	1 ea
42073	Enduro Caster and Steering Blocks, Hard	1
42076	FT Enduro Wheel Hex, 6mm (w/Set Screw) Steel	4
42078	FT Enduro Shock Set, 10x90mm	1
42077	Enduro Axle Kit, Complete (Builds either 1 front or 1 rear axle)	1
42085	Enduro Shock Parts, Blue Aluminum	2 ea.
42086	FT Enduro Shock Bodies, Bronze, 10x32mm	2
42103	FT Enduro Beadlock Hex Adapters, Aluminum	4
42104	FT Enduro Beadlock Hex Adapters, Brass	4
42105	FT Tire Inserts, 1.9", 4.56 Inner Diameter	2
42206	Enduro IFS Steering Bellcranks, Hard	1
42207	Enduro IFS Suspension Arms, Hard	1
42208	Enduro IFS Gearbox and Servo Mounts Set, Hard	1
42209	Enduro IFS Skid Plates, Hard	1

## PINIONS / SPUR GEARS

1335	17T 48P Aluminum Pinion Gear	1
1336	18T 48P Aluminum Pinion Gear (Kit)	1
1337	19T 48P Aluminum Pinion Gear	1
1338	20T 48P Aluminum Pinion Gear	1
1339	21T 48P Aluminum Pinion Gear	1
1340	22T 48P Aluminum Pinion Gear	1
1341	23T 48P Aluminum Pinion Gear	1
1342	24T 48P Aluminum Pinion Gear	1
1343	25T 48P Aluminum Pinion Gear	1
1344	26T 48P Aluminum Pinion Gear	1
1345	27T 48P Aluminum Pinion Gear	1
9652	78T 48P Spur Gear	1
9653	84T 48P Spur Gear	1
9654	87T 48P Spur Gear (Kit)	1

## LUBES & ADHESIVES

1105	FT Green Slime Shock Lube	1
1596	FT Locking Adhesive	1
1597	FT Tire Adhesive, medium	1
6588	Black Grease - 4cc	1
6591	S.Diff Lube - 4cc	1
6636	Silicone Grease - 4cc	1
6727	Servo Tape	2

## XP / AE ELECTRONICS

29204	AE XP-R4 2.4GHz 4CH Receiver	
29257	AE XP130 2.4GHz 3CH Radio System	
29262	ESS-One+ 2017 Engine Sound System	
29263	ESS-Dual+ Engine Sound System	
29264	ESS-Air Engine Sound System	
29265	XP Police Light Bar, 1:10 Scale	
29266	XP LED RC Light Kit (12 LED's)	
29267	XP LED Roof Light Kit (4 LED's)	
29268	XP LED Roof Light Kit (6 LED's)	
29272	XP 5 LED Aluminum Light Bar, 88mm	
29273	XP 7 LED ALuminum Light Bar, 120mm	
29274	XP 10 LED Aluminum Light Bar, 170mm	
29275	XP LED Light Bar Hardware	
29277	XP Head and Tail Light Kit	
29279	XP LED Rock Light Set, 150mm	
29290	XP DSV System	

## REEDY ELECTRONICS

### MOTORS

27424	Reedy Radon2 Crawler 16T 5-Slot 1850kV Brushed Motor	
27425	Reedy Radon 2 15T 3-Slot 4100Kv Brushed Motor	
27426	Reedy Radon 2 17T 3-Slot 3600Kv Brushed Motor	
27427	Reedy Radon 2 19T 3-Slot 3200Kv Brushed Motor	
27430	Reedy Crawler 16T 5-Slot RTR Brushed Motor	
27431	Reedy Radon2 Crawler 12T 5-Slot 2700kV Brushed Motor	
27432	Reedy Radon2 Crawler 20T 5-Slot 1500kV Brushed Motor	

### ESC's (SPEED CONTROLLERS)

27011	Reedy SC480X Brushed Crawler ESC	
27034	Reedy SC480X Program Card	
29199	Reedy SC400X Brushed Crawler ESC	

### SERVOS & SERVO ACCESSORIES

27100	RS1206 Digital HV Hi-Speed Competition Servo	
27101	RT1508 Digital HV Hi-Torque Competition Servo	
27102	RS1206 Servo Case Set w/screws	
27103	RS1206 Servo Gear Set	
27104	RT1508 Servo Case Set w/screws	
27105	RT1508 Servo Gear Set	
27110	0712MG Digital RTR Servo	
27111	1514MG Digital RTR Servo	
27114	RT2406 Digital HV Brushless Competition Servo	
27116	RC2312 Digital HV Competition Crawler Servo	
27122	Reedy Aluminum Servo Horn (25)	
27123	Reedy Aluminum Clamping Servo Horn (25)	
27129	0712MG Servo Gear Set	
27130	1514MG Servo Gear Set	
27135	RT2406 Gear Set	
27136	RT2706A Gear Set	
27139	RT2406 Case Set	
27140	RC2312 Gear Set	
27141	RC2312 Case Set	

## REEDY BATTERIES / CHARGERS

### BATTERIES

302	AA Alkaline 1.5V (4)	
751	Wolfpack LiPo 3300mAh 30C 7.4V w/T-Plug (#730)	
752	Wolfpack LiPo 4000mAh 35C 7.4V w/T-Plug (#731)	
755	Wolfpack LiPo 4500mAh 35C 11.1V w/T-Plug (#735)	
758	Wolfpack LiPo 3000mAh 30C 7.4V Shorty w/T-Plug	
759	Wolfpack LiPo 3000mAh 30C 11.1V Shorty w/T-Plug	
27313	LiPo Pro TX/RX 2400mAh 7.4V Flat	
27315	LiFe Pro TX/RX 1600mAh 6.6V Flat	

### CHARGERS

27201	Reedy 324-S Compact Balance Charger	
27202	123-S AC LiPo Compact Balance Charger	
27203	Reedy 1416-C2L Dual AC/DC Competition Balance Charger	

### CHARGER ACCESSORIES

27220	7-in-1 Universal Charge Lead (4mm)	
27221	T-plug Charge Lead (4mm)	
27222	XH 2-6S Balance Board (4mm)	
27223	RX Charger Lead FUT (4mm)	
27224	US to IEC 320 C5 angle IMAC Power Cord	
27226	EU to IEC 320 C5 angle IMAC Power Cord	

### REEDY ACCESSORIES

647	Silicone Wire 12AWG-Black (1m)	
648	Silicone Wire 14AWG-Black (1m)	
650	Shrink Tubing - 15pcs 4.5mm x 20mm	
790	Silicone Wire 13AWG-Black (1m)	
791	Silicone Wire 13AWG-Black (30m)	
27304	LiPo Battery Weight Set - Shorty	
27433	Reedy Radon 2 Brush and Spring Set	
27434	Reedy Radon 2 Wire Set	

## APPAREL / PROMOTIONAL

### TEE SHIRTS

<b>SP124*</b>	AE 2017 Worlds Tee, Black (S, M, L, XL-5XL)	I
<b>SP126*</b>	Team Associated Tri T-Shirt, Black (S, M, L, XL-5XL)	I
<b>SP140*</b>	Reedy Heritage Tee, Black (S, M, L, XL-5XL)	I
<b>SP200*</b>	Element RC Logo Tee, Gray (S, M, L, XL-5XL)	I
<b>SP201*</b>	Element RC Rhombus Tee, Black (S, M, L, XL-5XL)	I

### HOODIES/JACKETS

<b>SP142*</b>	Reedy W19 Hoodie - Black (S, M, L, XL-3XL)	I
<b>SP230</b>	Element RC Zip Up, Black (S, M, L, XL-5XL)	I
<b>SP231</b>	Element RC Hoodie, Black (S, M, L, XL-5XL)	I
<b>SP250</b>	Element RC Jacket, Black (S, M, L, XL-2XL)	I

### HATS

<b>SP20</b>	AE Patch Trucker Hat	I
<b>SP430</b>	Reedy Trucker Hat 2018	I
<b>SP260</b>	Element RC Hat, Curved Bill, Black	I
<b>SP261</b>	Element RC Hat, Flat Bill, Black	I
<b>SP262</b>	Element RC Beanie, Black	I

### BANNERS/MATS CARRIERS

<b>SP115</b>	Reedy Circuit Cloth Banner	I
<b>SP280</b>	Element RC Counter Top Mat	I
<b>SP281</b>	Element RC Pit Mat	I
<b>SP282</b>	Element RC Pit Towel	I
<b>SP425</b>	FT Fluid Carrier	I

## TOOLS

<b>1111</b>	FT Turnbuckle Wrench	I
<b>1112</b>	FT 4mm Turnbuckle Wrench	I
<b>1114</b>	FT Dual Turnbuckle Wrench	I
<b>1452</b>	FT TC Ride Height Gauge	I
<b>1498</b>	FT Universal Tire Balancer	I
<b>1499</b>	FT Body Reamer	I
<b>1500</b>	FT 1.5mm Hex Driver	I
<b>1501</b>	FT 2.0mm Hex Driver	I
<b>1502</b>	FT 2.0mm Ball Hex Driver	I
<b>1503</b>	FT 2.5mm Hex Driver	I
<b>1504</b>	FT 2.5mm Ball Hex Driver	I
<b>1505</b>	FT 3.0mm Hex Driver	I
<b>1506</b>	FT 5.0mm Hex Driver	I
<b>1507</b>	FT 5.5mm Nut Driver	I
<b>1508</b>	FT 7.0mm Nut Driver	I
<b>1510</b>	FT 1.5mm Hex Replacement Tip	I
<b>1511</b>	FT 2.0mm Hex Replacement Tip	I
<b>1512</b>	FT 2.0mm Ball Replacement Tip	I
<b>1513</b>	FT 2.5mm Hex Replacement Tip	I
<b>1514</b>	FT 2.5mm Ball Replacement Tip	I
<b>1515</b>	FT 3.0mm Hex Replacement Tip	I
<b>1518</b>	FT HEX Driver Tool Set (3pcs)	I
<b>1519</b>	FT Hex/Nut Driver Tool Set (5pc)	I
<b>1522</b>	FT Digital Scale, 100/0.01g	I
<b>1555</b>	FT Clutch Gauge, 4 Shoe	I
<b>1568</b>	FT 5.5mm Short Nut Driver	I
<b>1569</b>	FT 7mm Nut Driver, T-Handle	I
<b>1570</b>	FT 5.5mm Short Nut Driver	I
<b>1571</b>	FT 1:8 Wheel Nut Wrench, 17mm Hex	I
<b>1579</b>	FT Ball Cup Wrench - (will not work on Enduro rod ends)	I
<b>1595</b>	Chassis Weights, 1/4 oz	I
<b>1650</b>	7 Piece Hex Driver Set	I
<b>1657</b>	FT 1/4" Hex Drive .050" Tip	I
<b>1659</b>	FT 1/4" Hex Drive 5/64" - 2.0mm Tip	I
<b>1661</b>	FT 1/4" Hex Drive 1.5mm Tip	I
<b>1662</b>	FT 1/4" Hex Drive 2.5mm Tip	I
<b>1666</b>	FT 1/4" Hex Drive 5.5mm Nut Driver Tip	I
<b>1667</b>	FT 1/4" Hex Drive 7.0mm Nut Driver Tip	I
<b>1668</b>	FT 1/4" Hex Drive 8.0mm Nut Driver Tip	I
<b>1674</b>	FT 1/4" 5 Piece Power Tool Tips Set (5/64-2.0mm, 1.5mm, 2.5mm, 5/64"- 2.0mm ball, 2.5mm ball)	I
<b>1679</b>	FT T-Handle Ratchet Driver	I
<b>1737</b>	FT Body Scissors	I
<b>3987</b>	FT Droop Gauge	I
<b>89240</b>	RC8 FT Turnbuckle Wrench	I

\* Use part number plus the desired size when ordering!

**GATE 01****STEALTH X: BUILD CONFIGURATION: MOTOR MOUNT FACING REAR (STOCK)****OVERDRIVE:**

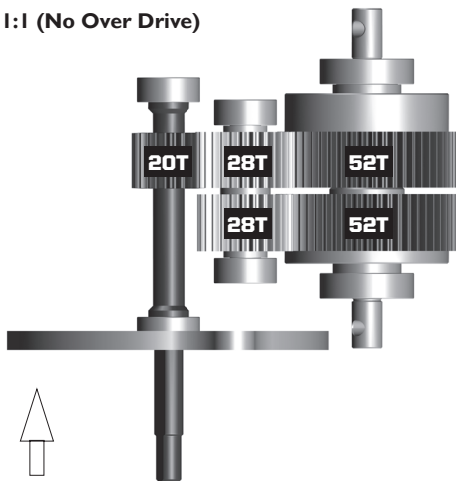
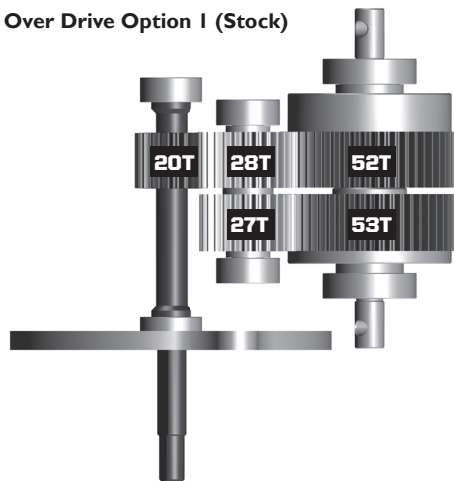
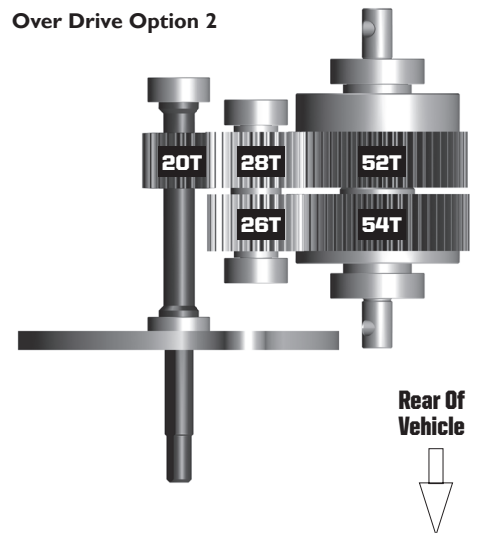
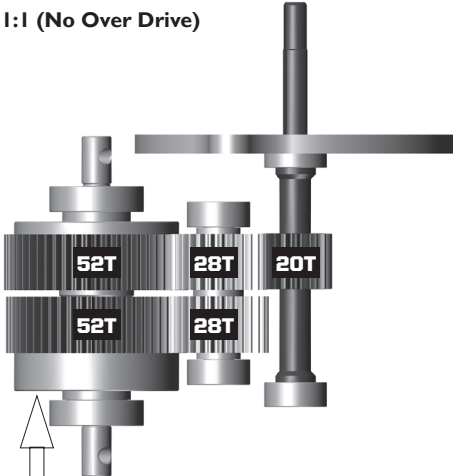
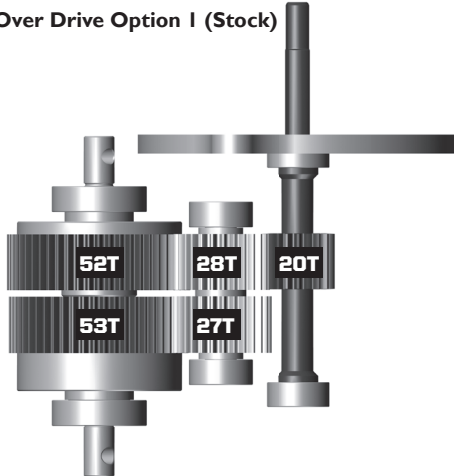
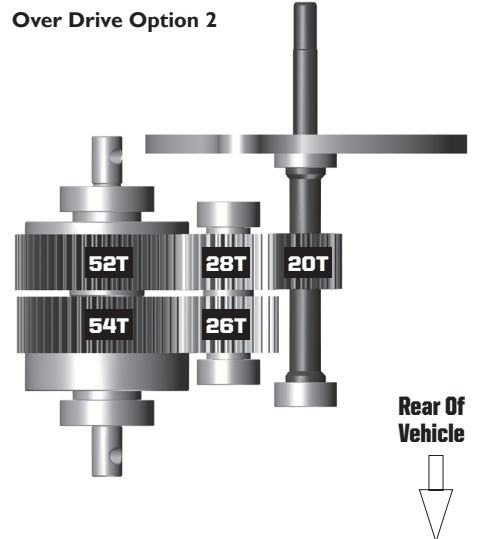
Overdrive is a scenario where the front and rear wheels do not rotate at the same speed. The Stealth X gearbox is designed to allow the front wheels to spin faster than the rear wheels. Overdrive is advantageous when climbing up rock faces because the front tires will want to pull the vehicle up the rock. On descents, the rear tires rotating slower than the front tires will help keep the chassis more stable and keep the rear tires planted on the ground.

**Stealth X:**

The Stealth X gearbox allows the driver to change the front to rear drive ratios with 3 separate ratio adjustments to the rear drive shaft. The driver has the option to flip the gearbox direction (motor mount facing the front) the optional inverse top shaft (#42024) is required.

**Please Note:**

The 20T top shaft, 28T idler gear, and 52T drive gear will always be meshed together in all 6 gearbox configurations.

**GATE 02****STEALTH X: BUILD CONFIGURATION: MOTOR MOUNT FACING REAR (STOCK)****1:1 (No Over Drive)****Over Drive Option 1 (Stock)****Over Drive Option 2****Front Of Vehicle****Rear Of Vehicle****GATE 03****STEALTH X: BUILD CONFIGURATION: MOTOR MOUNT FACING FRONT (OPTIONAL - REQUIRES #42024 - TOP SHAFT)****1:1 (No Over Drive)****Over Drive Option 1 (Stock)****Over Drive Option 2****Front Of Vehicle****Rear Of Vehicle**

## TRAIL TIPS AND CHECKLIST

### PREPARING TO HIT THE TRAIL:

When preparing to hit the trail, it's a good idea to have a checklist to make sure you have everything and don't end up having to head back early. We've compiled a checklist of the things we think you'll need on the trail. We've also left some space for you to add your specific items to the list. Keep in mind these are suggestions and every person will require different items. Weather and altitude will also dictate how much food and water a person will require. Do a little research first before heading out for a full day on the trail.

- Truck with Charged Battery
- 1-2 spare Charged Batteries for your rig
- Radio with Charged Batteries
- Spare radio batteries
- Check all nuts and screws and tighten them. Including Wheel nuts!
- Spare parts (Nuts, Screws, Body Clips, and anything that may wear or break)
- Backpack
- Water (2 liters per person minimum)
- Snacks (protein bars, trailmix, etc.)
- Sturdy shoes (Hiking boots preferably or something with grip and ankle support)
- Element Hat or Beanie
- Element Hoodie or Jacket
- Sunscreen
- Bug Spray
- Lip Balm
- Nut Drivers (Factory Team Nut Drivers #1507, 1508)
- Allen wrenches (Factory Team Hex Driver set #1650)
- Cell phone and charger
- Headlight or flashlight with spare batteries
- Compact action camera
- Camera
- Tripod
- \_\_\_\_\_
- \_\_\_\_\_
- \_\_\_\_\_
- \_\_\_\_\_
- \_\_\_\_\_
- \_\_\_\_\_

### TREAD LIGHTLY:

Remember, when driving your rig out on the trails, it's important to tread lightly. We all know that the best place to enjoy our hobby is out in nature, and that means we need to preserve it for future hobbyist so we all have a place to enjoy. Here are a few tips to remember when out on the trail.

#### • Pack In/Pack Out:

Don't leave anything behind. Whether it's trash, parts, or food. If you brought it, take it with you.

#### • National and Public Parks:

If visiting a national park, leave the RC cars at home. It is illegal to drive any radio control vehicle within national park boundaries. Public parks are slightly different, some may allow radio control cars and others may not. Check with your local officials before driving in a public park.

#### • Be Considerate:

Where ever you drive your radio control car, always be considerate of others. Hikers, bicyclists, and animals should always be given the right of way.

#### • Keep It Quiet:

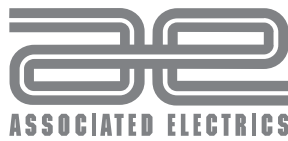
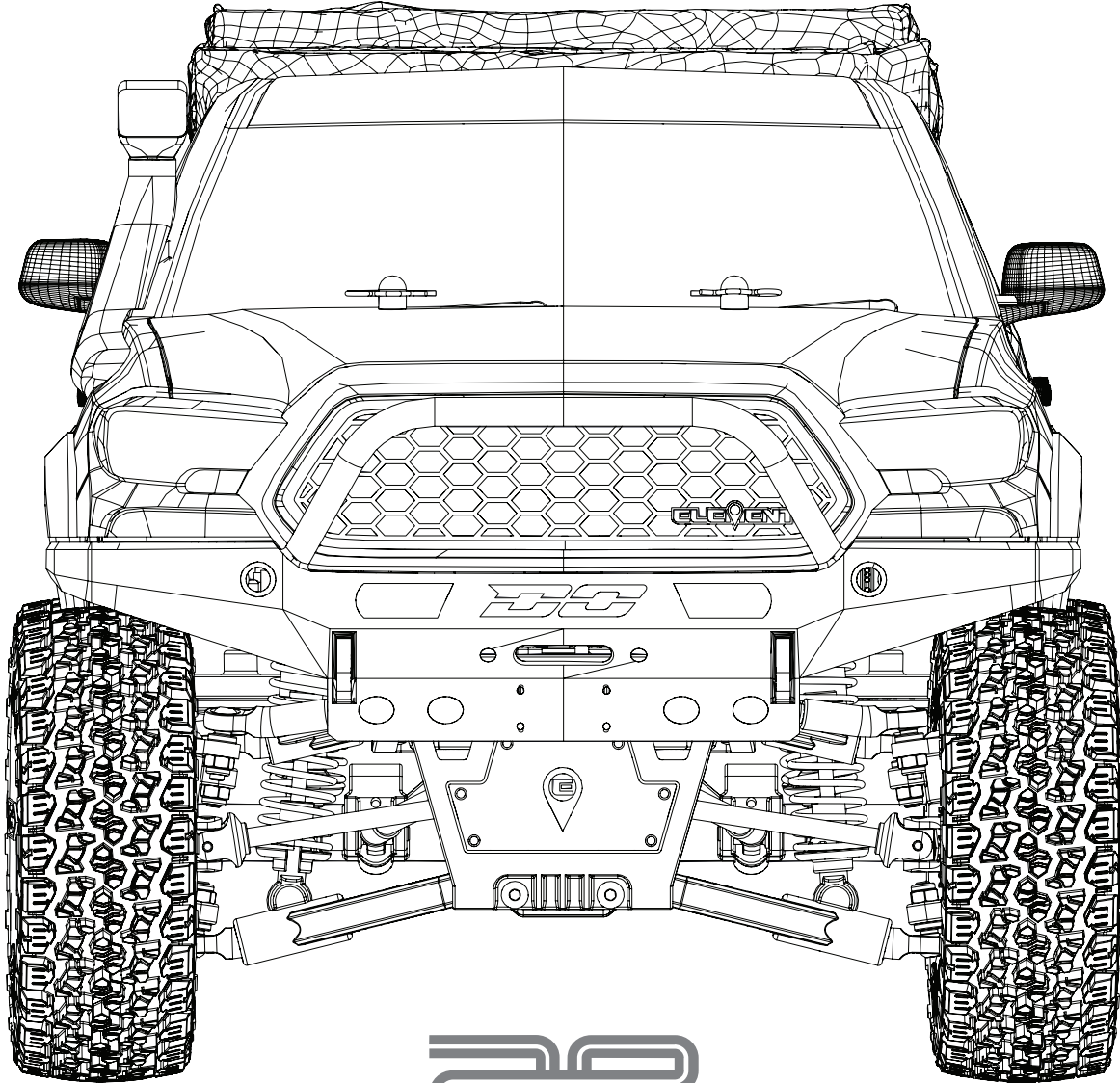
If you're sharing an area with other people, try to keep the noise to a minimum. If you come across animals or anglers, please be considerate and give them space.

#### • Give A Hoot, Don't Pollute:

When enjoying the outdoors take your trash with you. Not only is it bad for the environment, it's unsightly. If you see trash, pick it up, even if it isn't yours. If we all do our part we can work together to keep our planet beautiful for future generations.

#### • Only You Can Prevent Wild Fires:

Some of us like to mix camping with RC cars. This is great! Just remember to follow all safety precautions and put out any camp fires before calling it a night. Also, be sure to unplug and **store all LiPo batteries in LiPo sacks and a fire resistant storage device.**



ASSOCIATED ELECTRICS, INC.  
21062 BAKE PARKWAY, LAKE FOREST, CA 92630 USA

CALL: (949) 544-7500 - FAX: (949) 544-7501  
CHECK OUT THE FOLLOWING WEB SITES FOR ALL OF OUR KITS,  
CURRENT PRODUCTS, NEW RELEASES, SETUP HELP, TIPS, AND RACING INFO!  
[WWW.ASSOCIATEDELECTRICS.COM](http://WWW.ASSOCIATEDELECTRICS.COM)  
#112157



ElementRC



@Element\_RC