

MT12 MONSTER SERIES

40007 MT12 Monster Series Monster Truck

1:12 Scale Ready-To-Run
Electric 4x4 Monster Truck



READY-TO-RUN

1:12 Scale Ready-To-Run Electric 4x4 Monster Truck Manual & Catalog



CHAMPIONS *by* DESIGN

TeamAssociated.com

TEAM ASSOCIATED

:: Safety Precautions 安全注意事項

Please read all of the instructions and familiarize yourself with the product and its controls before operation.

1. This product is not a toy. It is a high performance model car therefore it is important to familiarize yourself with the model, its manual, and its construction before assembly or operation. Adult supervision is necessary for children operating this model.
2. Always keep this instruction manual on hand during assembly and for operating reference.
3. Do not use a power screwdriver to install screws into plastic parts. A power screwdriver's high rotation speed can heat up the screw being installed which can result in some melting of the plastic parts or stripped threads.
4. For best performance, it is important to make sure all the moving parts can move freely without binding.
5. This product, its parts, and its assembly tools can be harmful to your health. Always exercise extreme caution when assembling and operating this product. Keep away from any high speed rotating parts during operation.

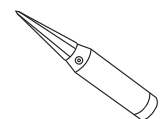
在您開始操作本產品前，請詳閱本產品說明書。

1. 本產品為高性能模型產品非一般玩具，組裝與操作過程皆須由成人陪同。請詳讀此本使用說明書，避免因組裝錯誤與操作不當造成損壞。
2. 請妥善保管此說明書，對於後續維修、操控說明將可提供您協助。
3. 請勿使用電動工具旋緊自攻螺絲於塑膠零件上，可能導致塑膠零件融化或滑牙。
4. 請檢視所有活動部位零件是否不受干涉，可靈活作動，以達車輛最佳性能。
5. 此項產品具有相當之危險性，於組裝、調整、操控上的不熟悉都可能造成自身或他人的傷害。

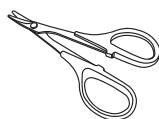
:: Index 索引

STEP 1	Chassis 車體.....	pg 2	STEP 13	Center Gear Case 中央齒輪箱.....	pg 9
STEP 2	Front/Rear Differential 前/後差速組....	pg 3	STEP 14	Motor 馬達組.....	pg 9
STEP 3	Front Axle 前傳動組.....	pg 4	STEP 15	Battery Plate 電池板.....	pg 10
STEP 4	Front Steering Set 前轉向組.....	pg 4	STEP 16	Servo Set 伺服器組.....	pg 10
STEP 5	Rear Hub Set 後輪座組.....	pg 5	STEP 17	Steering Turnbuckle 轉向拉桿.....	pg 11
STEP 6	Shock Assembly 避震器組.....	pg 5	STEP 18	Front Body Post 前/後車殼支柱.....	pg 12
STEP 7	Front Adjustable Links 前可調連桿組..	pg 6	STEP 19	Tires & Wheels 輪胎與輪框.....	pg 12
STEP 8	Front Suspension 前懸吊組.....	pg 6	STEP 20	Body 車殼.....	pg 13
STEP 9	Rear Adjustable Links 後可調連桿組..	pg 7	STEP 21	Body 車殼.....	pg 14
STEP 10	Rear Suspension 後懸吊組.....	pg 7			
STEP 11	Center Gear 中央齒輪.....	pg 8			
STEP 12	Center Drive Shaft 中央傳動軸.....	pg 8			

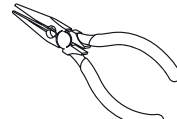
:: Tools Required For Assembly 組裝維修工具



Body Reamer #1499
車殼鑽孔器



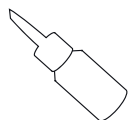
FT Body Scissors #1737
車殼專用剪



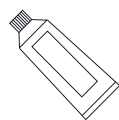
Needle Nose Pliers
尖嘴鉗



Wire Cutter
斜口剪



FT Locking Adhesive
(Threadlocker) #1596
螺絲防鬆膠



Black Grease
#6588
潤滑油膏(黃油)



FT Tire Adhesive
(CA Glue) #1597
快乾膠



FT Hex Driver Tool Set
1.5/2.0/2.5mm #1518
六角板手組

:: Symbol Reference Key 說明書符號說明



Build right and left assembly
組裝左和右配件



Build front and rear assembly
組裝前和後配件



Assemble the same two parts
組裝兩次相同配件

Associated Electrics, Inc.
26021 Commercentre Dr.
Lake Forest, CA 92630

TEAM ASSOCIATED
WORLD CHAMPION R/C CARS

Customer Service
Tel: 949.544.7500
Fax: 949.544.7501

www.TeamAssociated.com · www.RC10.com



www.twitter.com/Team_Associated

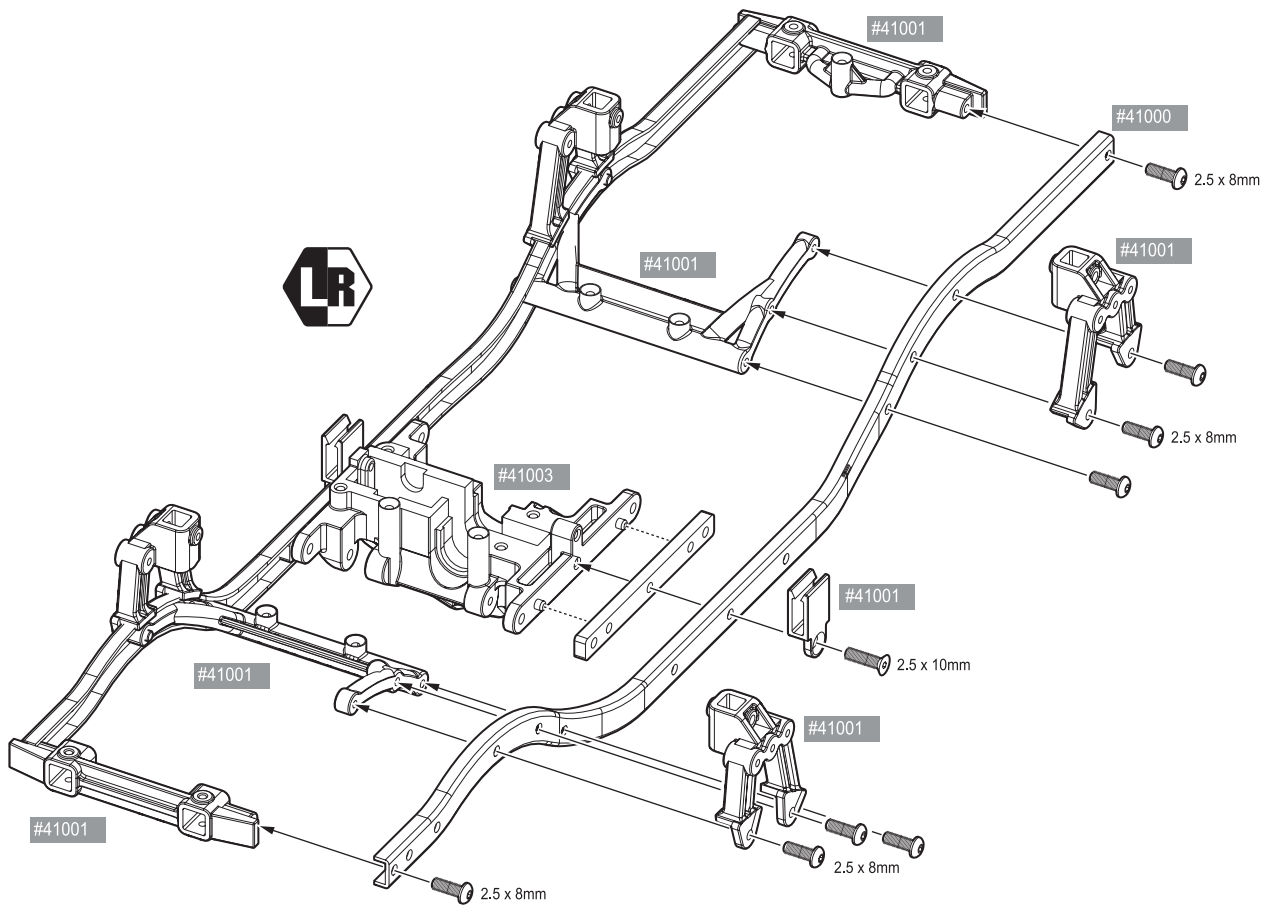
www.facebook.com/TeamAssociated

www.instagram.com/TeamAssociatedRC







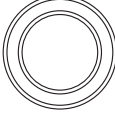
STEP 1 :: Chassis 車體

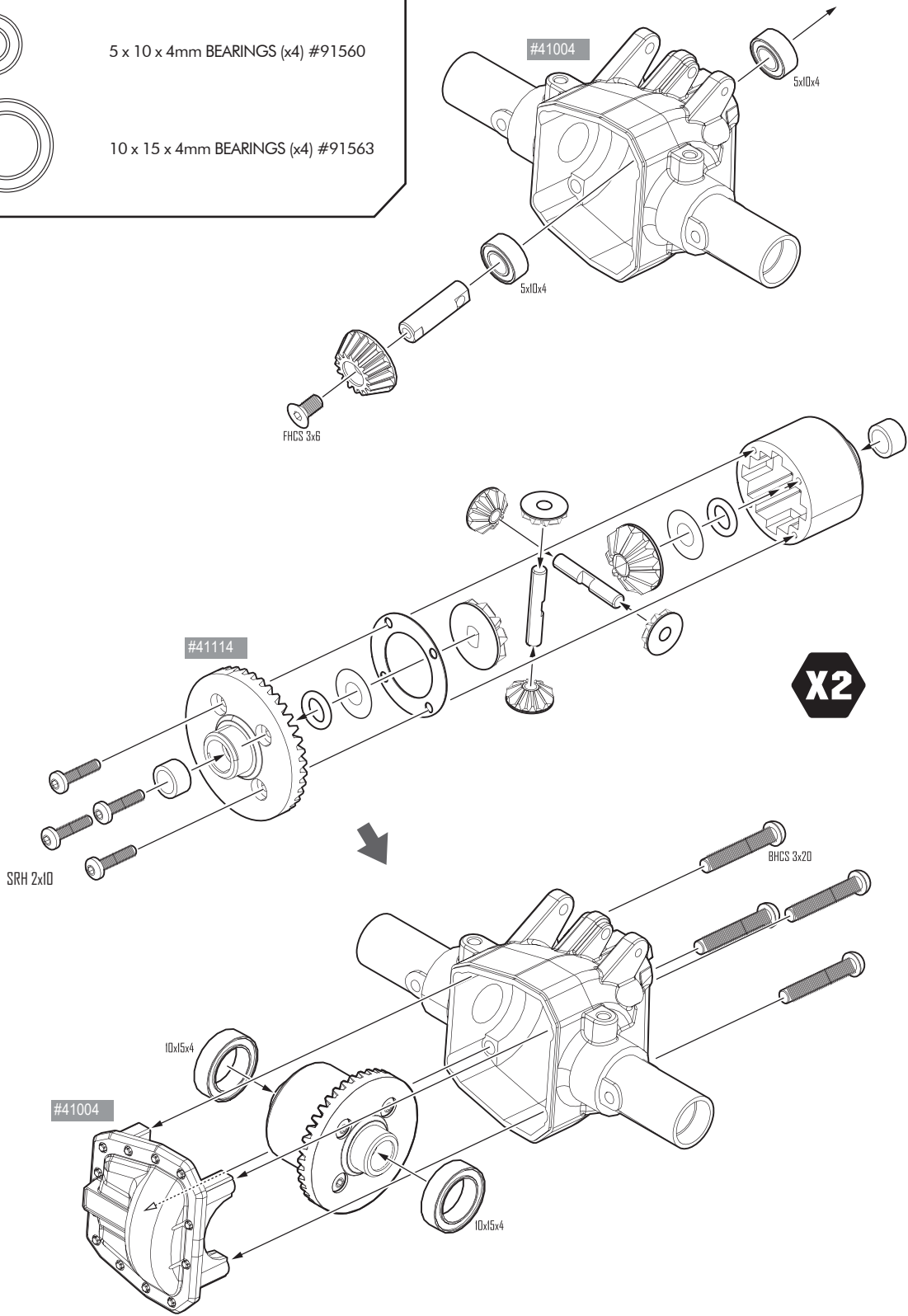
-  M2.5 x 8mm (x16) BHCS #31521
-  M2.5 x 10mm (x2) FHCS #31350



3

STEP 2 :: Front/Rear Differential 前/後差速組

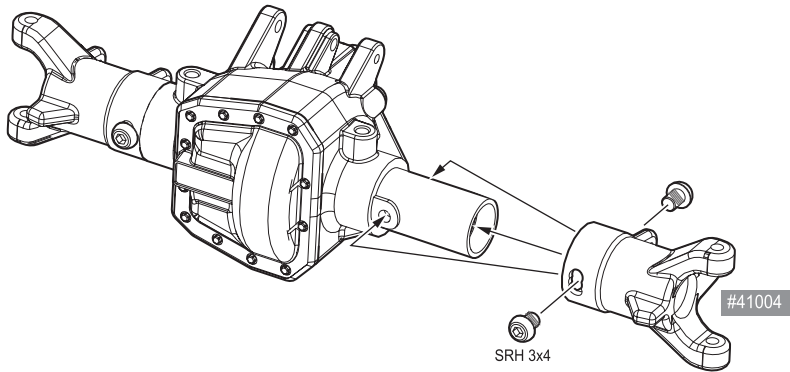
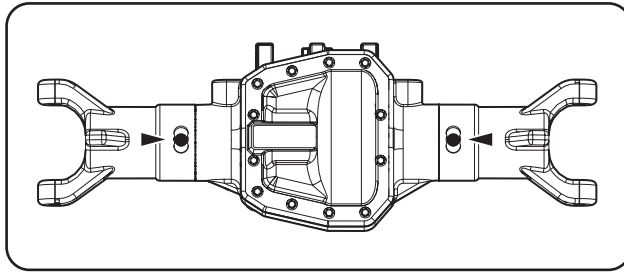
-  M2 x 10mm SRH Screw (x8) #41072
-  M3 x 20mm BHCS (x8) #25188
-  M3 x 6mm FHCS (x2) #31541
-  5 x 10 x 4mm BEARINGS (x4) #91560
-  10 x 15 x 4mm BEARINGS (x4) #91563



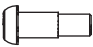



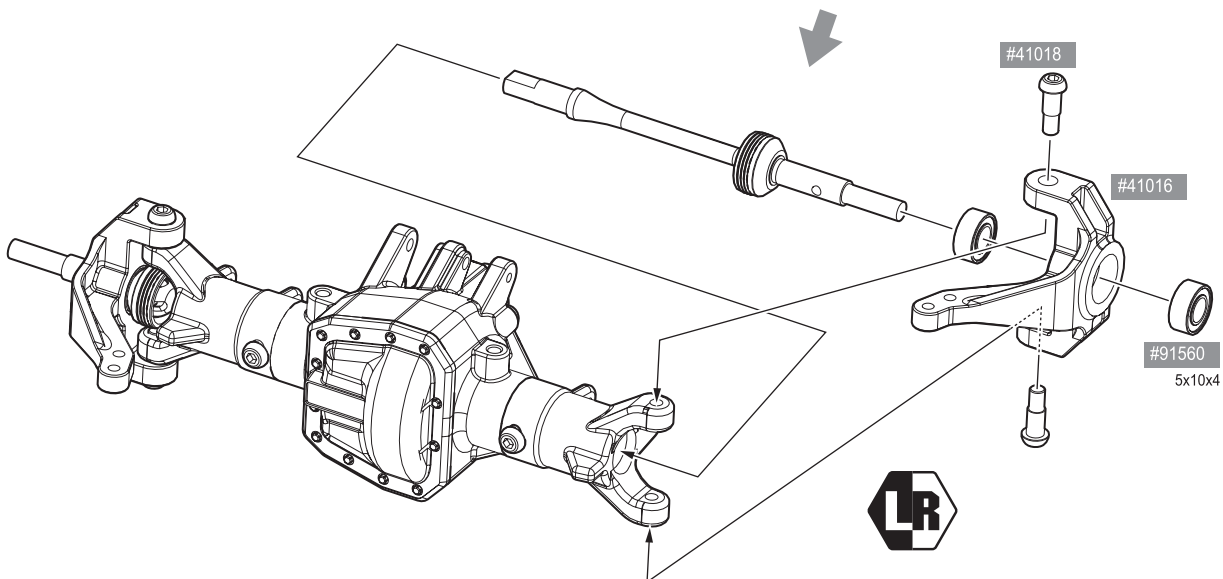
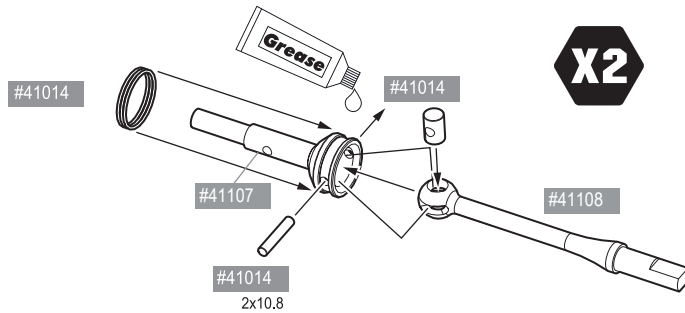
STEP 3 :: Front Axle 前傳動組

-  M3 x 4mm BHCS (x4) #91158



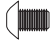

STEP 4 :: Front Steering Set 前轉向組

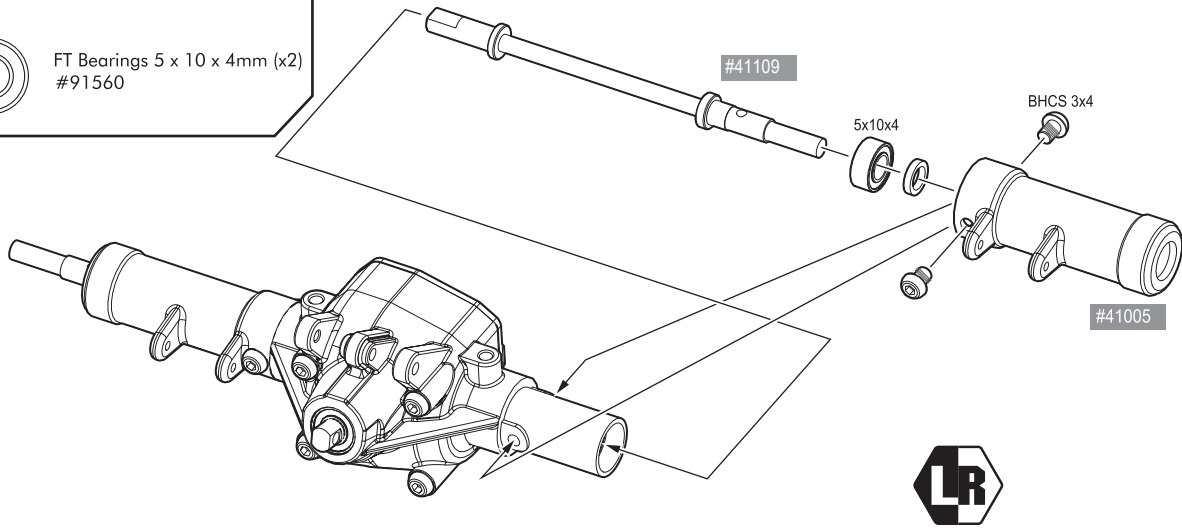
-  3 x 11.6mm C-Hub Screw (x4) #41018
-  FT Bearings 5 x 10 x 4mm (x4) #91560



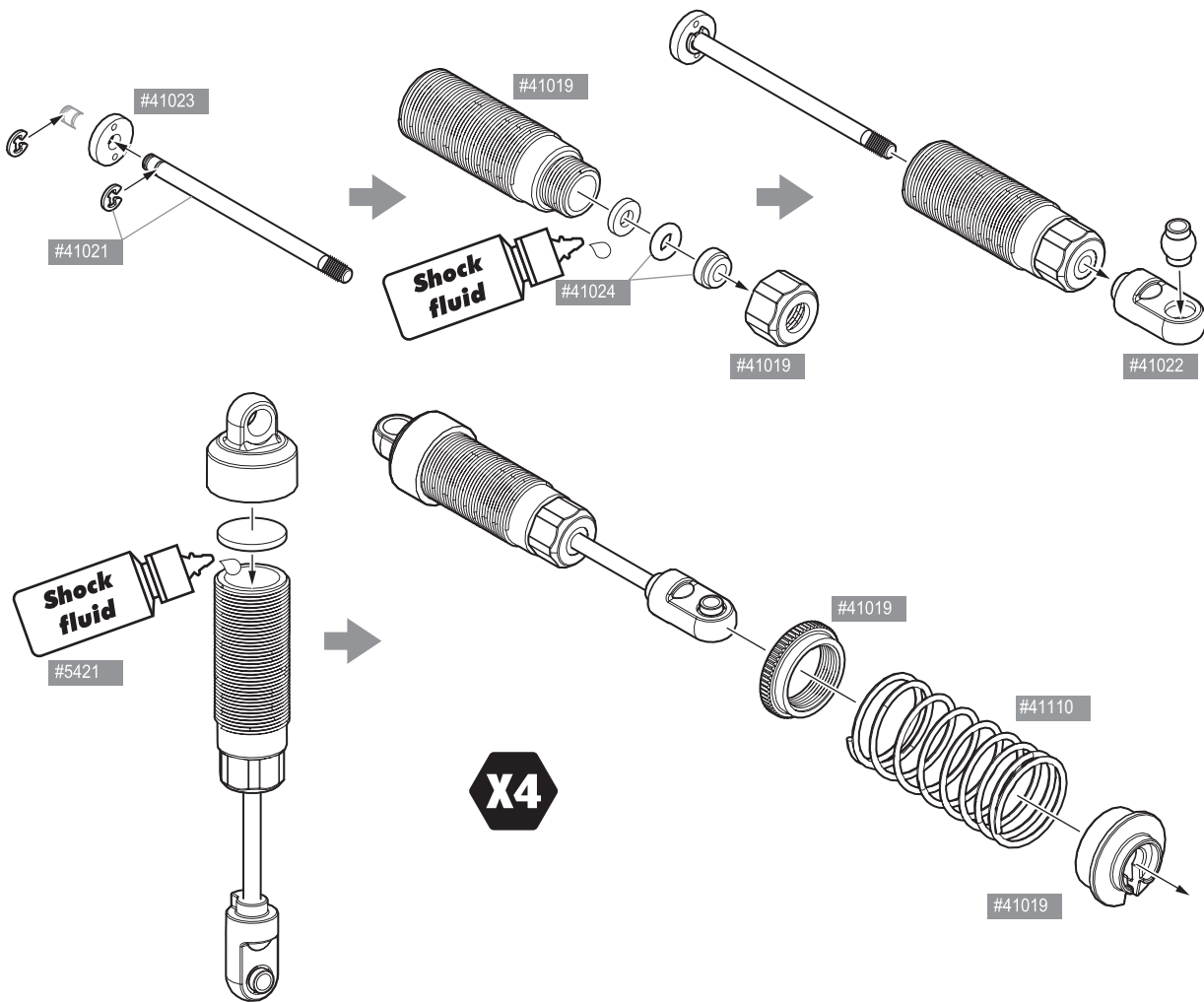
5

STEP 5 :: Rear Hub Set 後輪座組

-  M3 x 4mm BHCS (x4) #91158
-  FT Bearings 5 x 10 x 4mm (x2) #91560

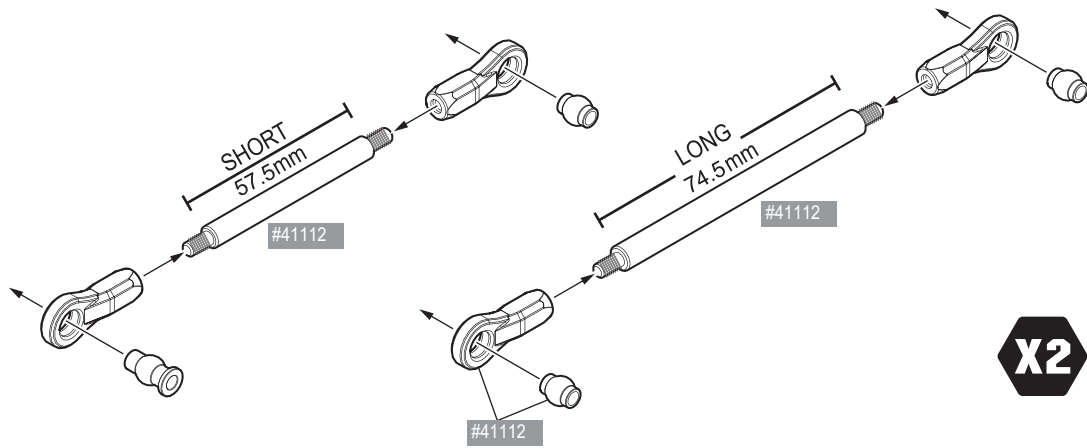


STEP 6 :: Shock Assembly 避震器組







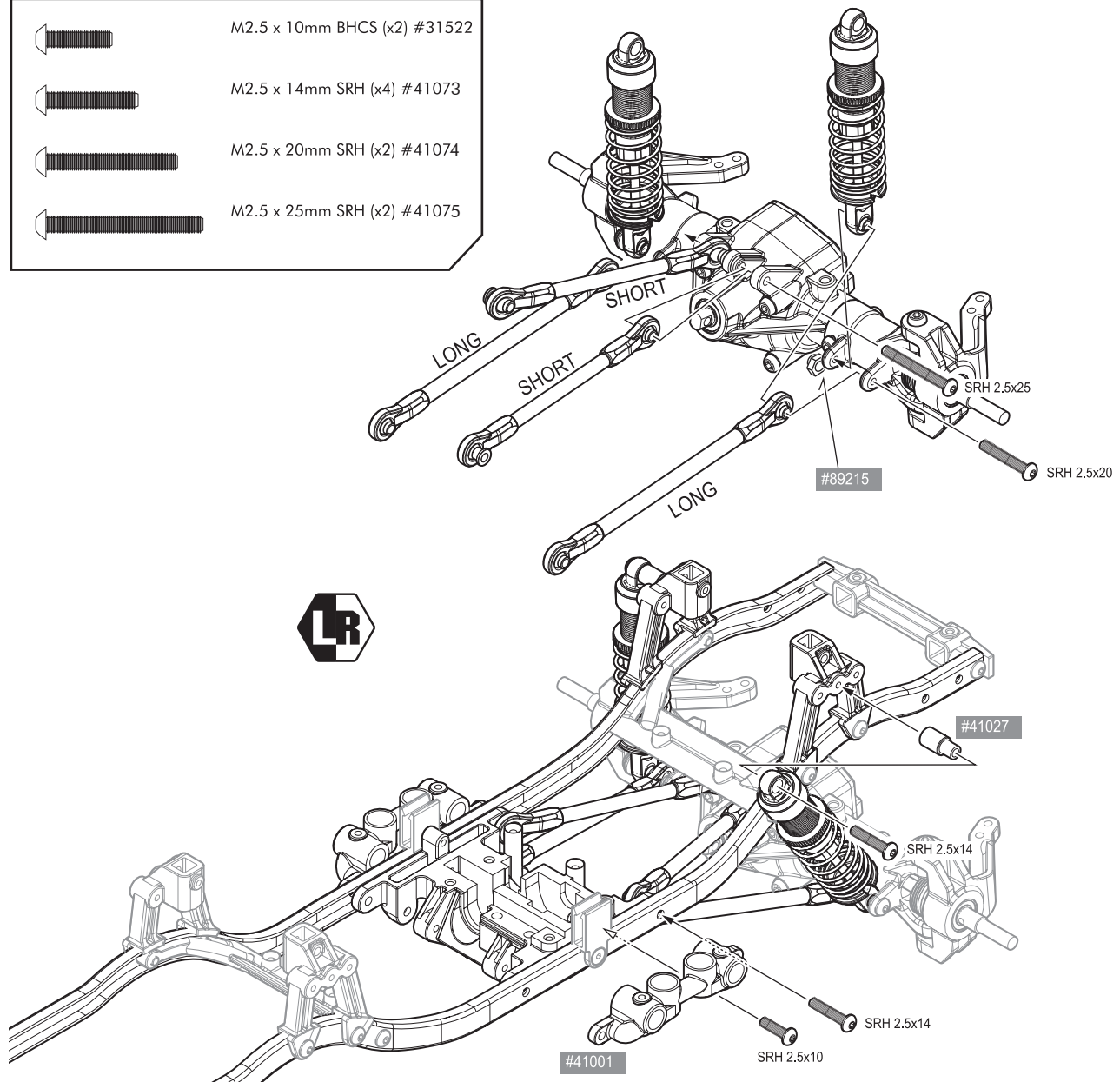


STEP 7 :: Front Adjustable Links 前可調連桿

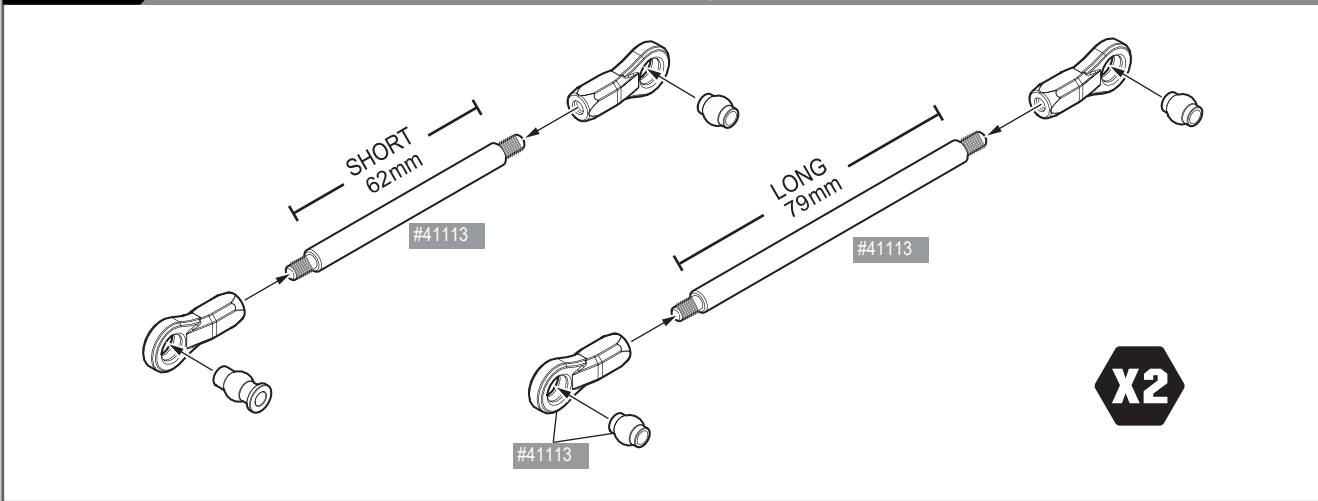


STEP 8 :: Front Suspension 前懸吊組





-  M2.5 x 10mm BHCS (x2) #31522
-  M2.5 x 14mm SRH (x4) #41073
-  M2.5 x 20mm SRH (x2) #41074
-  M2.5 x 25mm SRH (x2) #41075

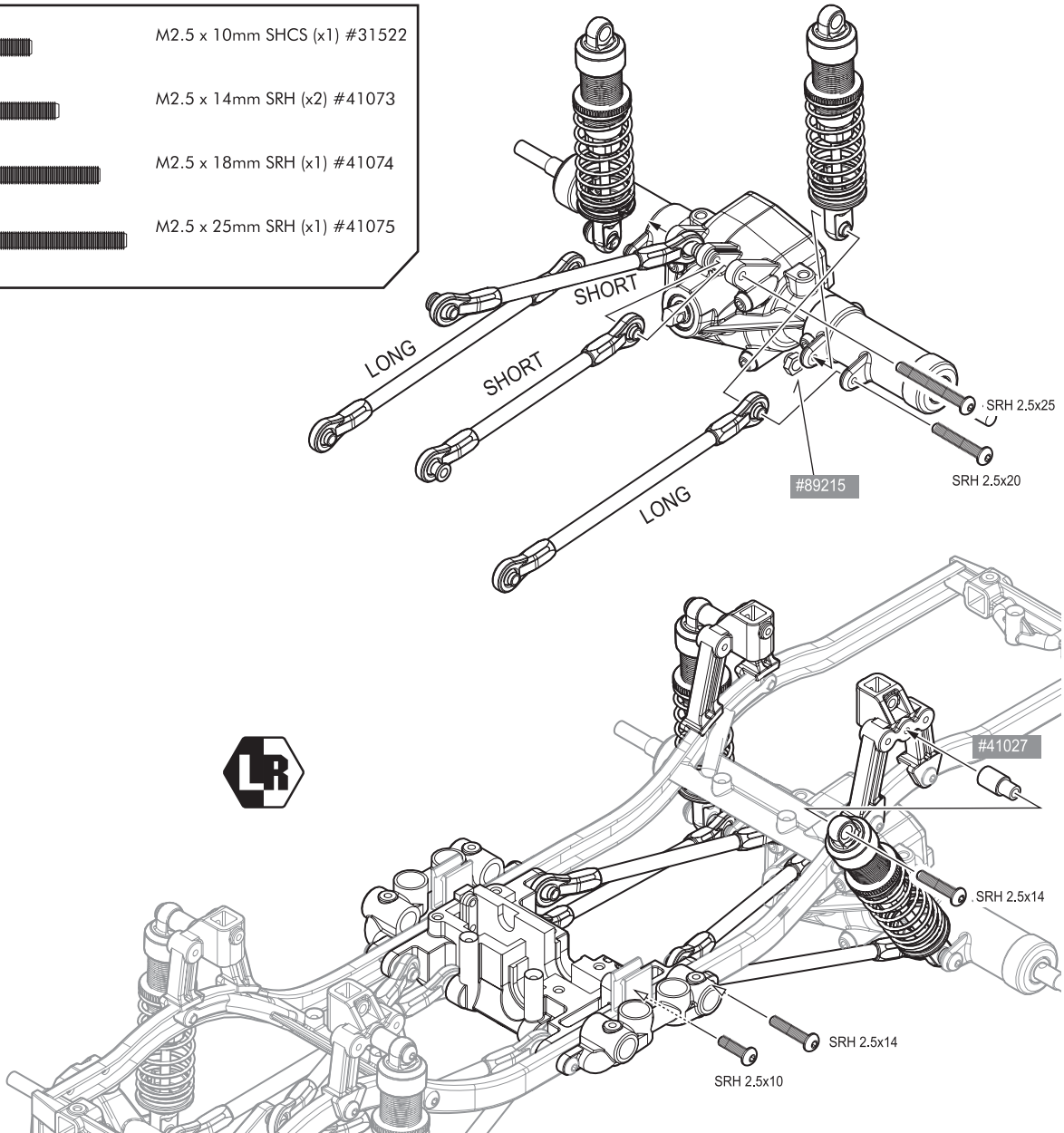


STEP 9 :: Rear Adjustable Links 後可調連桿



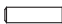

STEP 10 :: Rear Suspension 後懸吊組

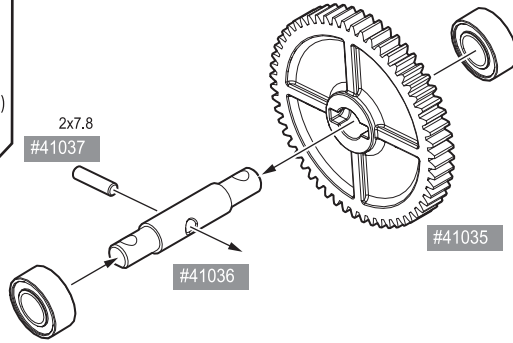
-  M2.5 x 10mm SHCS (x1) #31522
-  M2.5 x 14mm SRH (x2) #41073
-  M2.5 x 18mm SRH (x1) #41074
-  M2.5 x 25mm SRH (x1) #41075



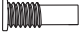


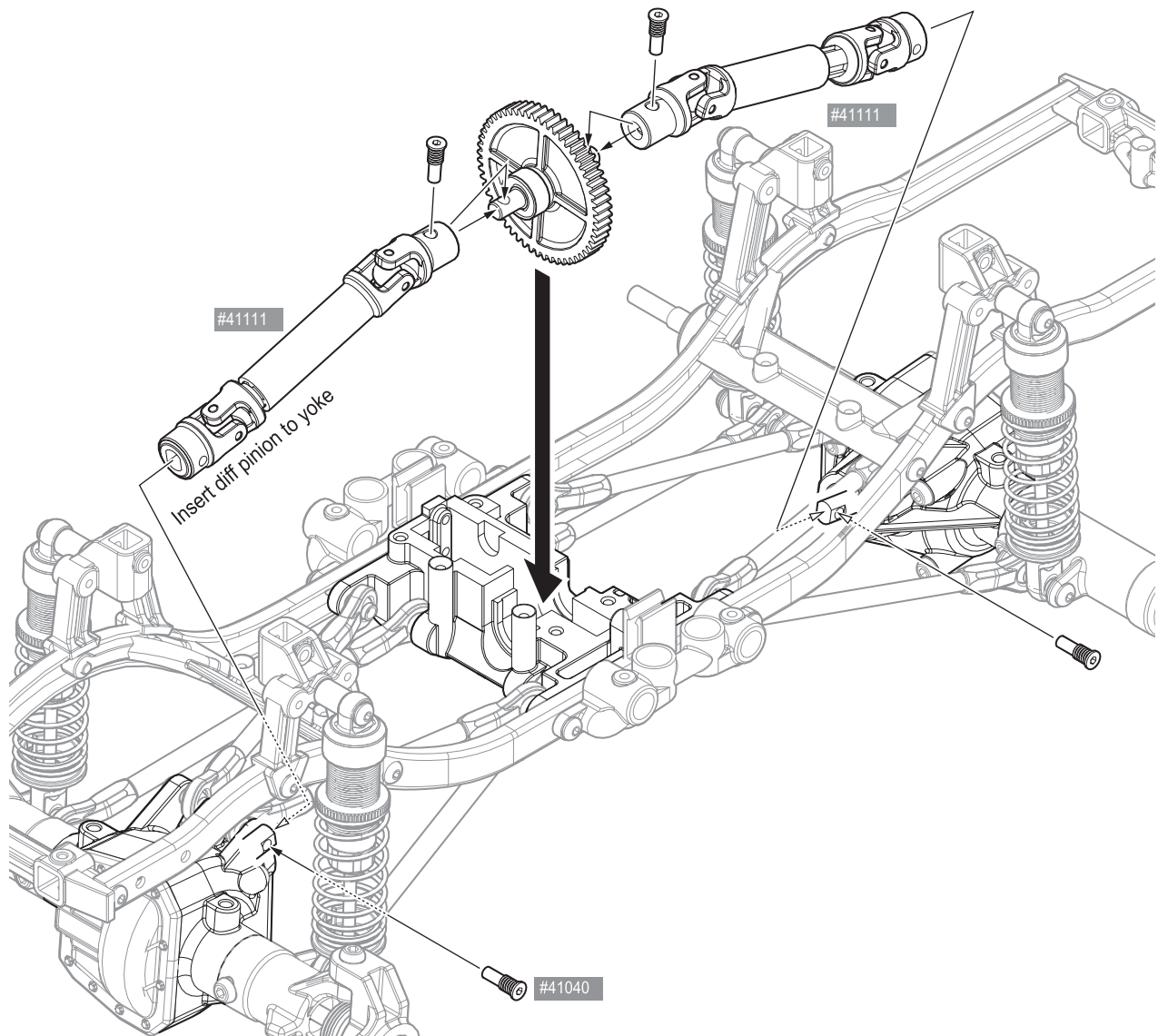
STEP 11 :: Center Gear 中央齒輪

-  M2 x 7.8mm Pin #41037
-  FT Bearings 5 x 10 x 4mm (x2) #91560

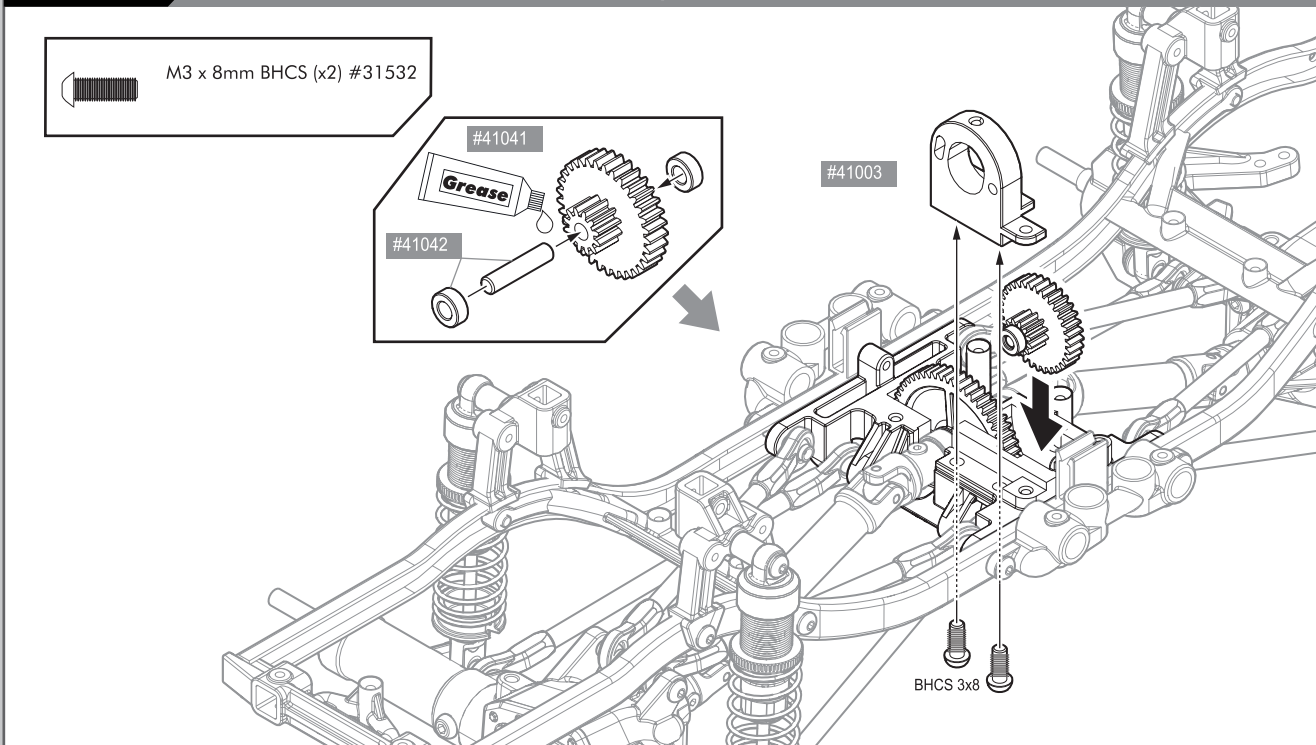


STEP 12 :: Center Drive Shaft 中央傳動軸

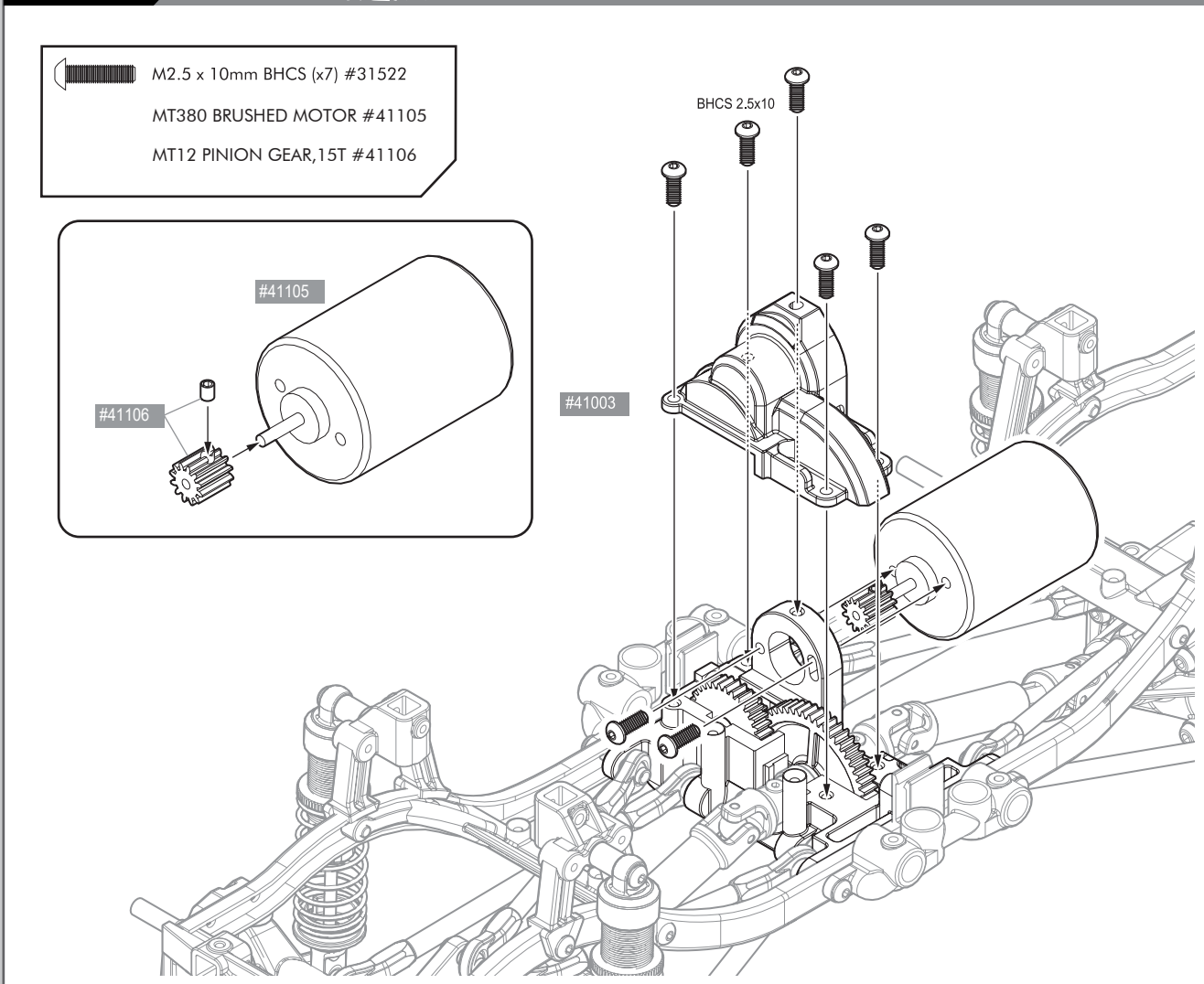
-  Long Screw Pin (x4) #41040



STEP 13 :: Center Gear Case 中央齒輪箱



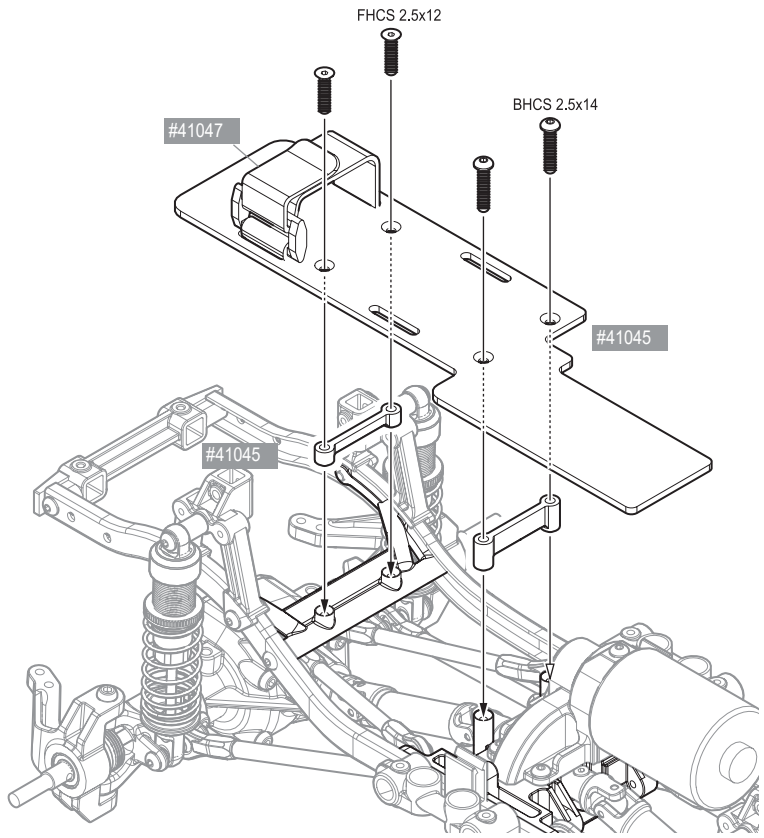
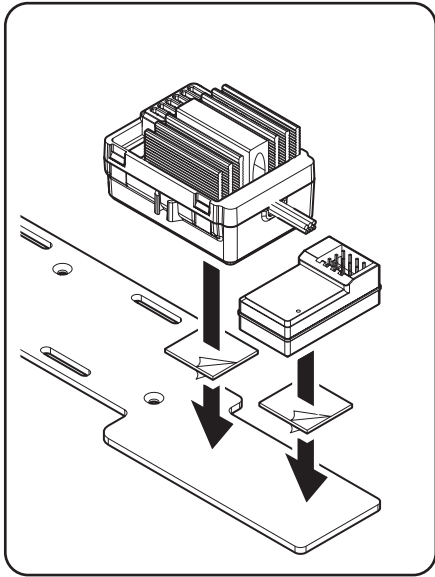
STEP 14 :: Motor 馬達組







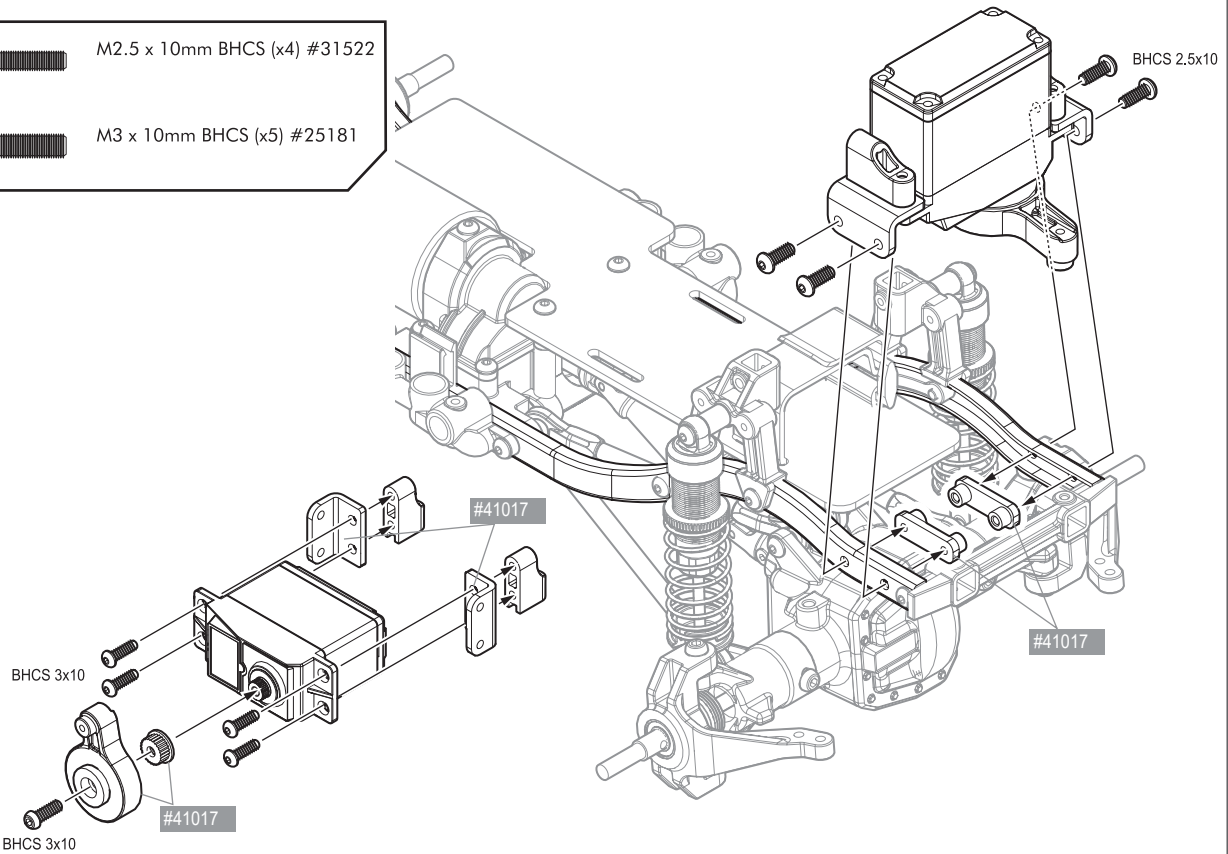
STEP 15 :: Battery Plate 電池板

-  M2.5 x 12mm FHCS (x2) #41076
-  M2.5 x 14mm BHCS (x2) #41073





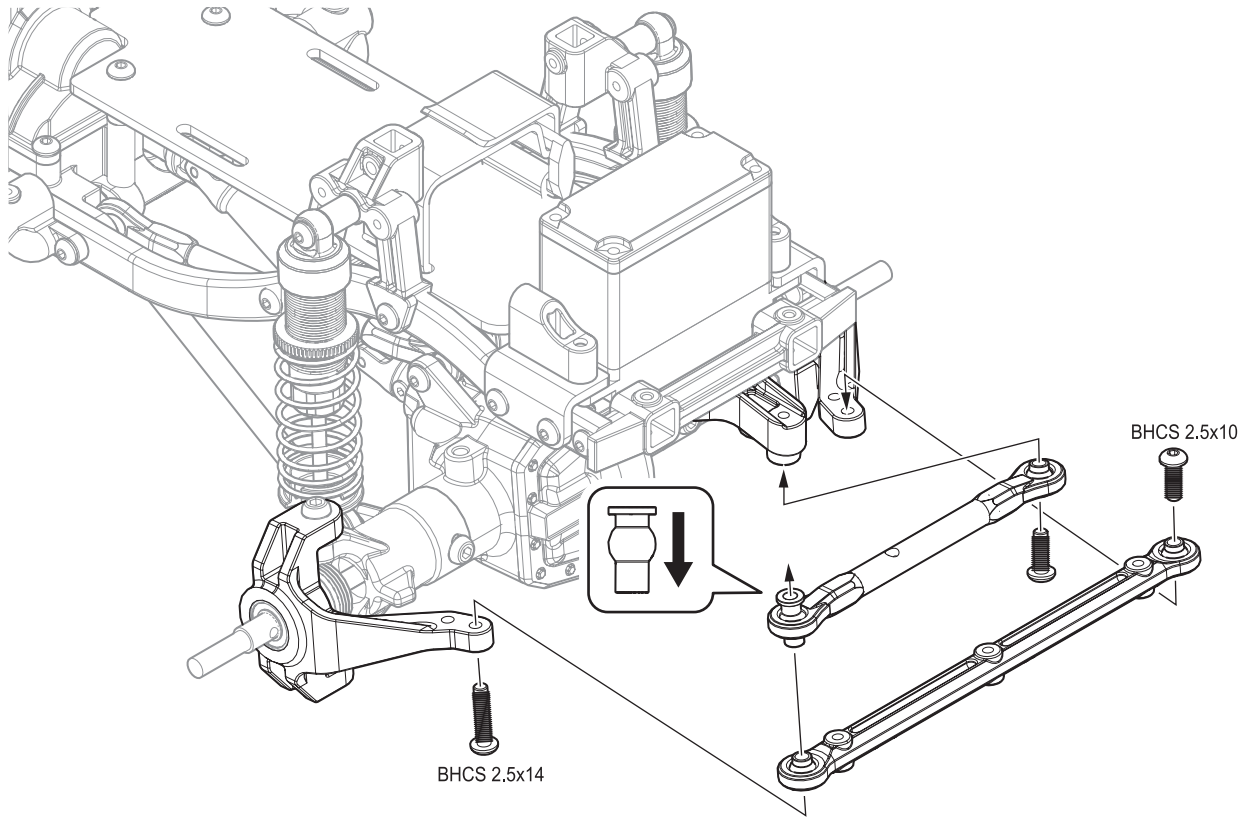
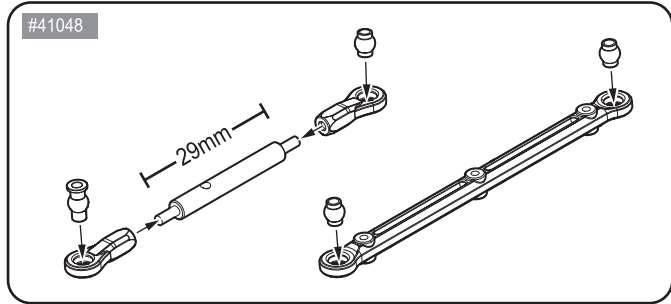
STEP 16 :: Servo Set 伺服機組

-  M2.5 x 10mm BHCS (x4) #31522
-  M3 x 10mm BHCS (x5) #25181



STEP 17 :: *Steering Turnbuckle* 轉向拉桿


-  M2.5 x 10mm BHCS (x2) #31522
-  M2.5 x 14mm BHCS (x1) #41073

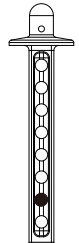
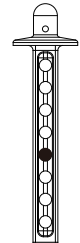


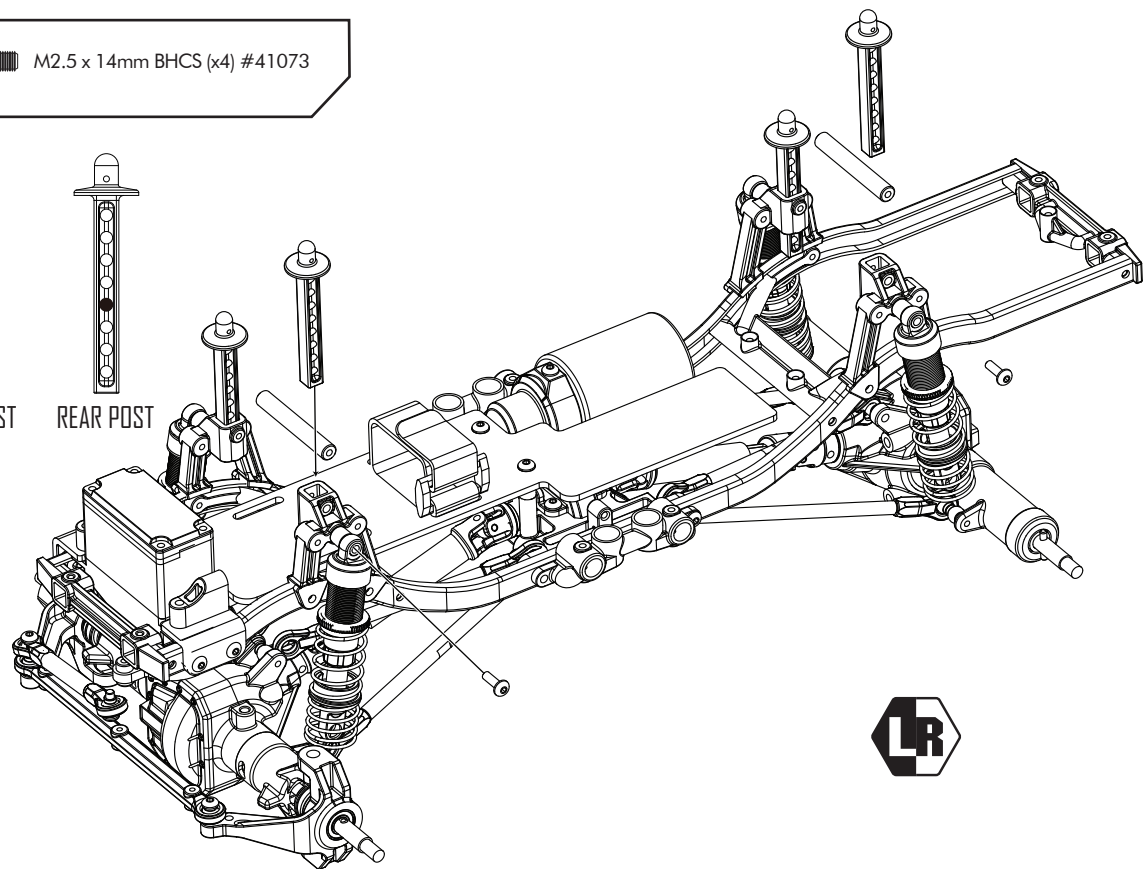


STEP 18 :: *Front Body Posts*

前/後車殼柱


 M2.5 x 14mm BHCS (x4) #41073

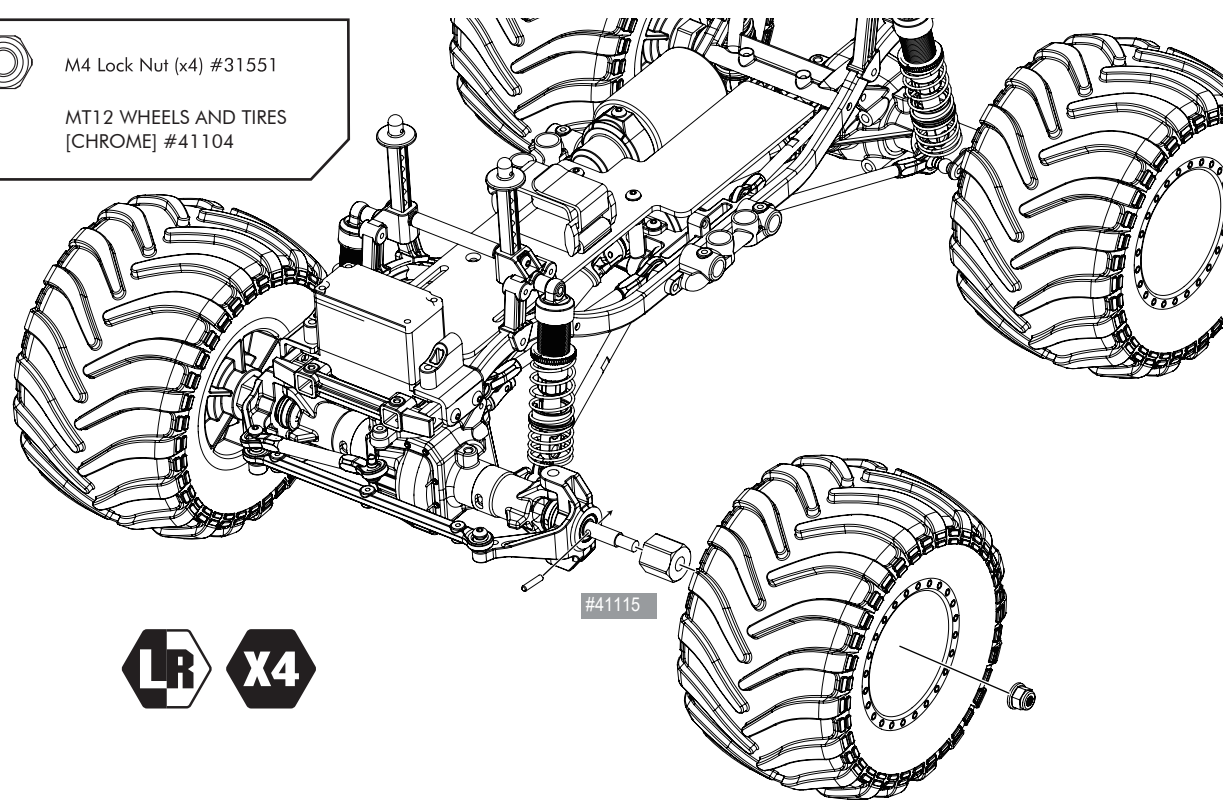
 FRONT POST
 REAR POST



STEP 19 :: *Tires & Wheels*

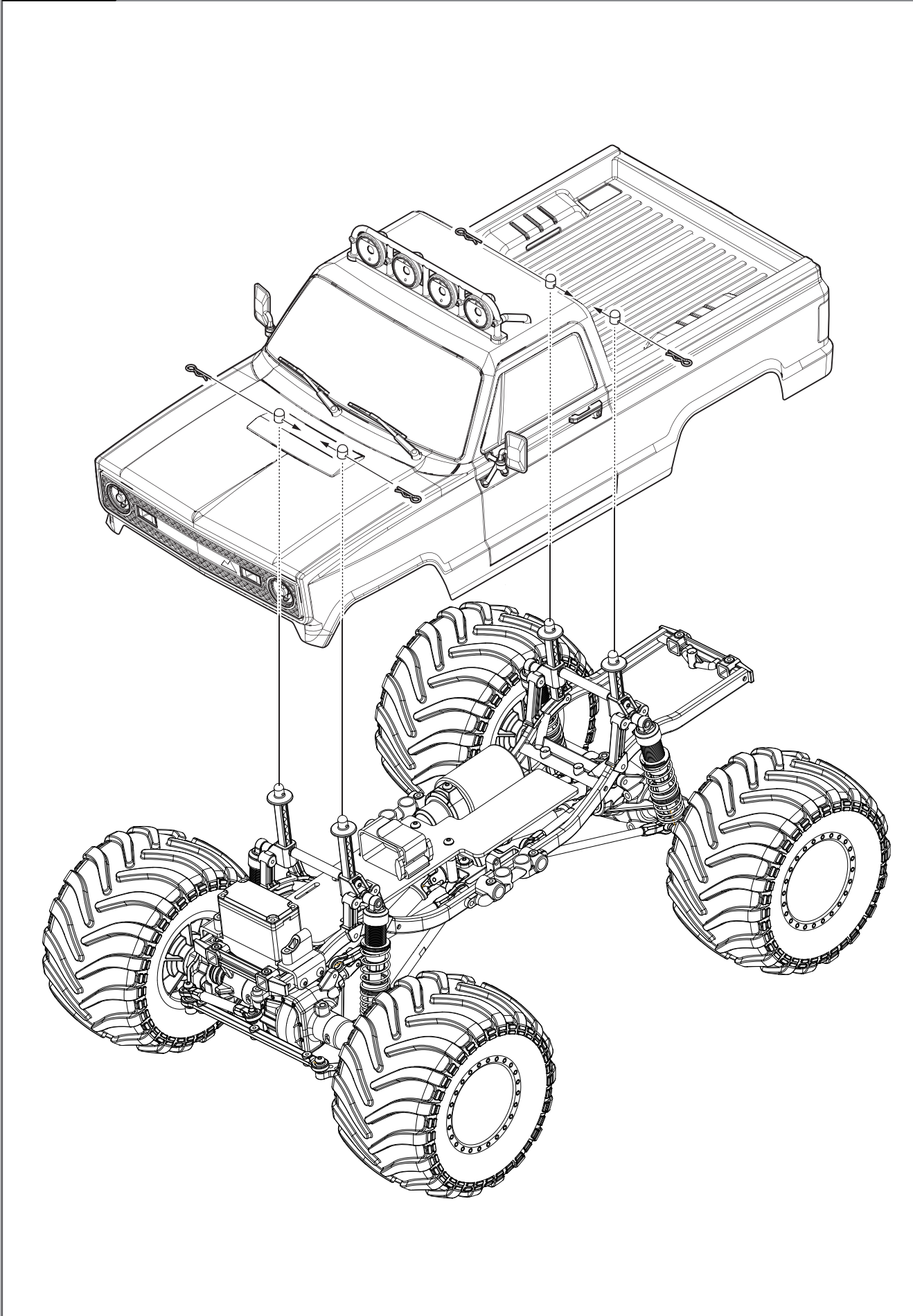
輪胎與輪框

 M4 Lock Nut (x4) #31551
MT12 WHEELS AND TIRES [CHROME] #41104





STEP 21 :: Body 車殼



:: Battery Charging and Installation

Battery Charging Steps and Safety:

*Remove the battery from the vehicle before charging.
Place battery on a fire resistant surface.
Avoid any contact with water or other liquids.
Be sure to select the correct charging mode for the type of battery you are charging.*

ALWAYS use a compatible charger for charging your batteries.

Caution: Never leave the battery unattended while charging. Always disconnect the charger from the power source when finished charging.

Caution: Always disconnect the battery when you are finished driving the vehicle.

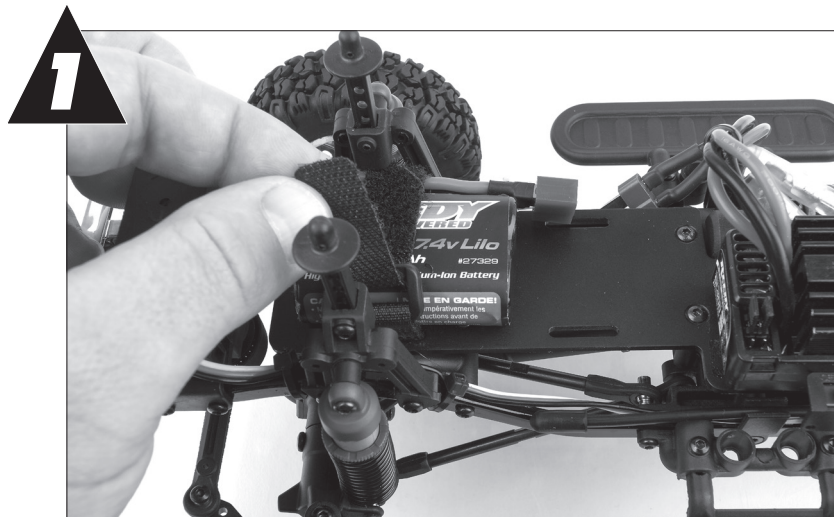


*USB wall charger not included.

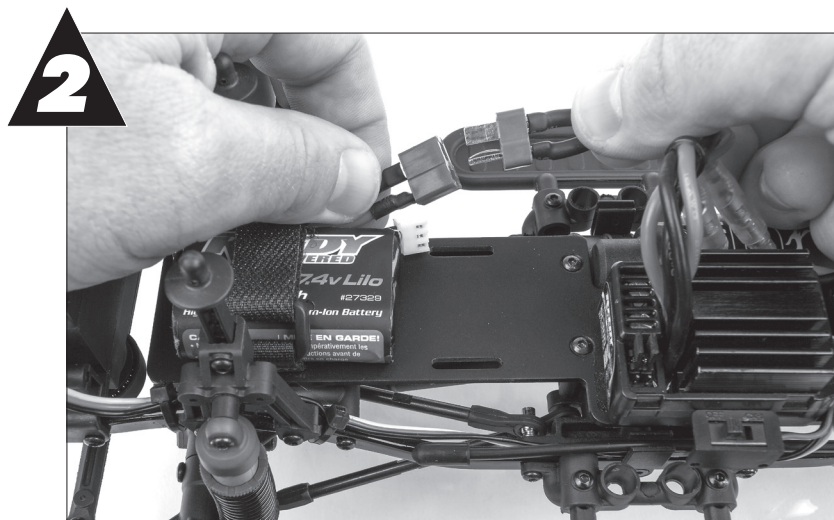
Peak Detection Quick Charger

Battery Installation:

Install the battery with the battery wires directed towards the speed control and strap until battery is snug.



Connect the power plug from the battery to the receiving plug of the speed control.





FIND IT ON ASSOCIATELECTRICS.COM

CARS & TRUCKS



Vehicle Spare Parts GO TO:

- AssociatedElectrics.com →
- Team Associated tab →
- Cars & Trucks →
- Scroll to your vehicle →
- Parts & Accessories link

SETUP SHEETS & MANUALS



Setups and Manuals GO TO:

- AssociatedElectrics.com →
- Team Associated tab →
- Manuals & Setups →
- Scroll to your vehicle

A-TEAM APPS



Tuning Guides & Tips GO TO:

- AssociatedElectrics.com →
- Support →
- A-Team Apps



ASSOCIATED ELECTRICS
Since 1965

Associated Electrics, Inc.

21062 Bake Parkway Lake Forest, CA 92630 USA

call: (949) 544-7500 - fax: (949) 544-7501

**Check out the following web sites for all of our kits, current products,
new releases, setup help, tips, and racing info!**

www.AssociatedElectrics.com

FOLLOW US ON SOCIAL MEDIA



TeamAssociated
ReedyPower
ElementRC



@TeamAssociatedRC
@ReedyPower
@Element_RC



@Team_Associated
@ReedyPower

