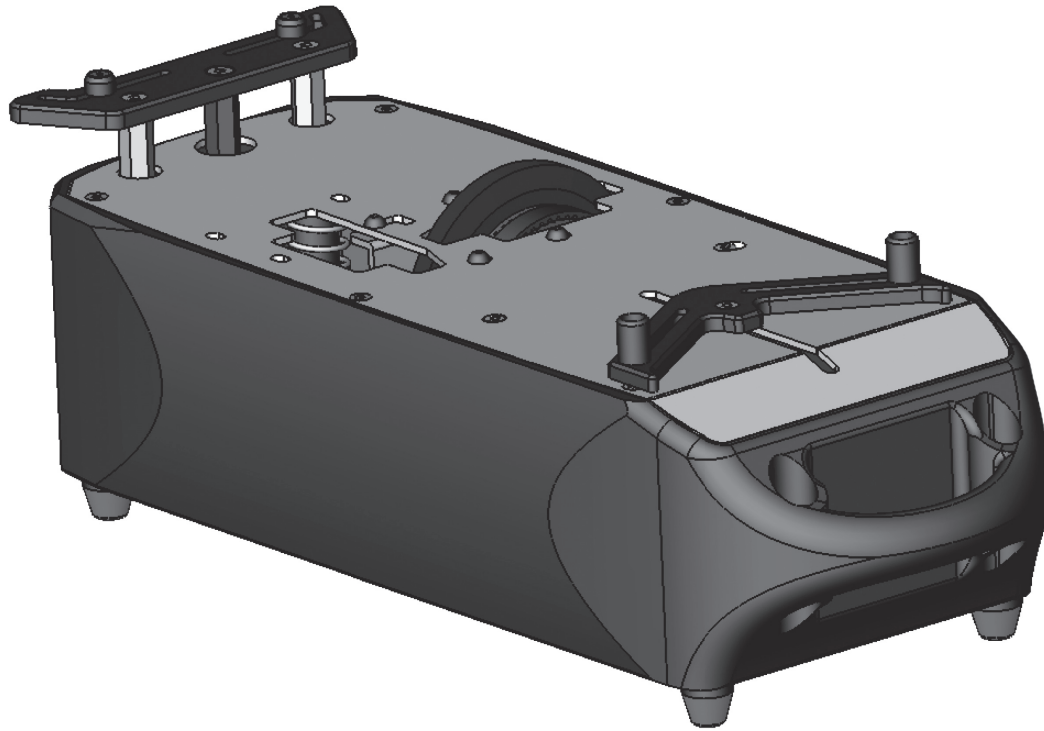


#1751 Factory Team Compact Starter Box



SPECIFICATIONS

Length	325mm
Width	129mm
Height	116mm
Weight	1440g Without Batteries
Motor	775/Size 12V - 14.4V
Power Source	Two 7.2V Stick Batteries

**CAUTION!!! Always follow battery and charger manufacturers instructions carefully!
Batteries are not included!**

Associated Electrics, Inc.

26021 Commercentre Dr.

Lake Forest, CA 92630 USA

<http://www.TeamAssociated.com>

<http://www.RC10.com>

http://twitter/Team_Associated

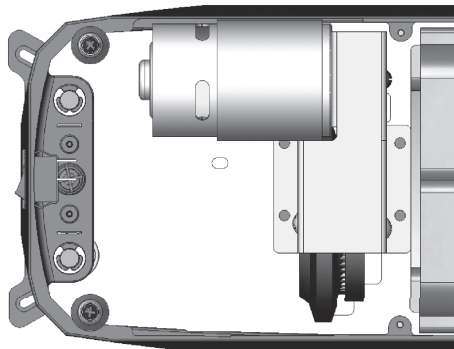
<http://bit.ly/AEonFacebook>

call: (949) 544-7500 - fax: (949) 544-7501

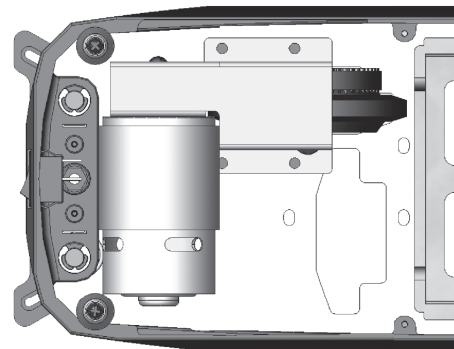
**Check out the following web sites for all of our kits,
current products, new releases, setup help, tips, and racing info!**

www.TeamAssociated.com - www.RC10.com

#1751 FOR 1/8 BUGGY & Truggy, 1/10 & 1/8 ON-ROAD

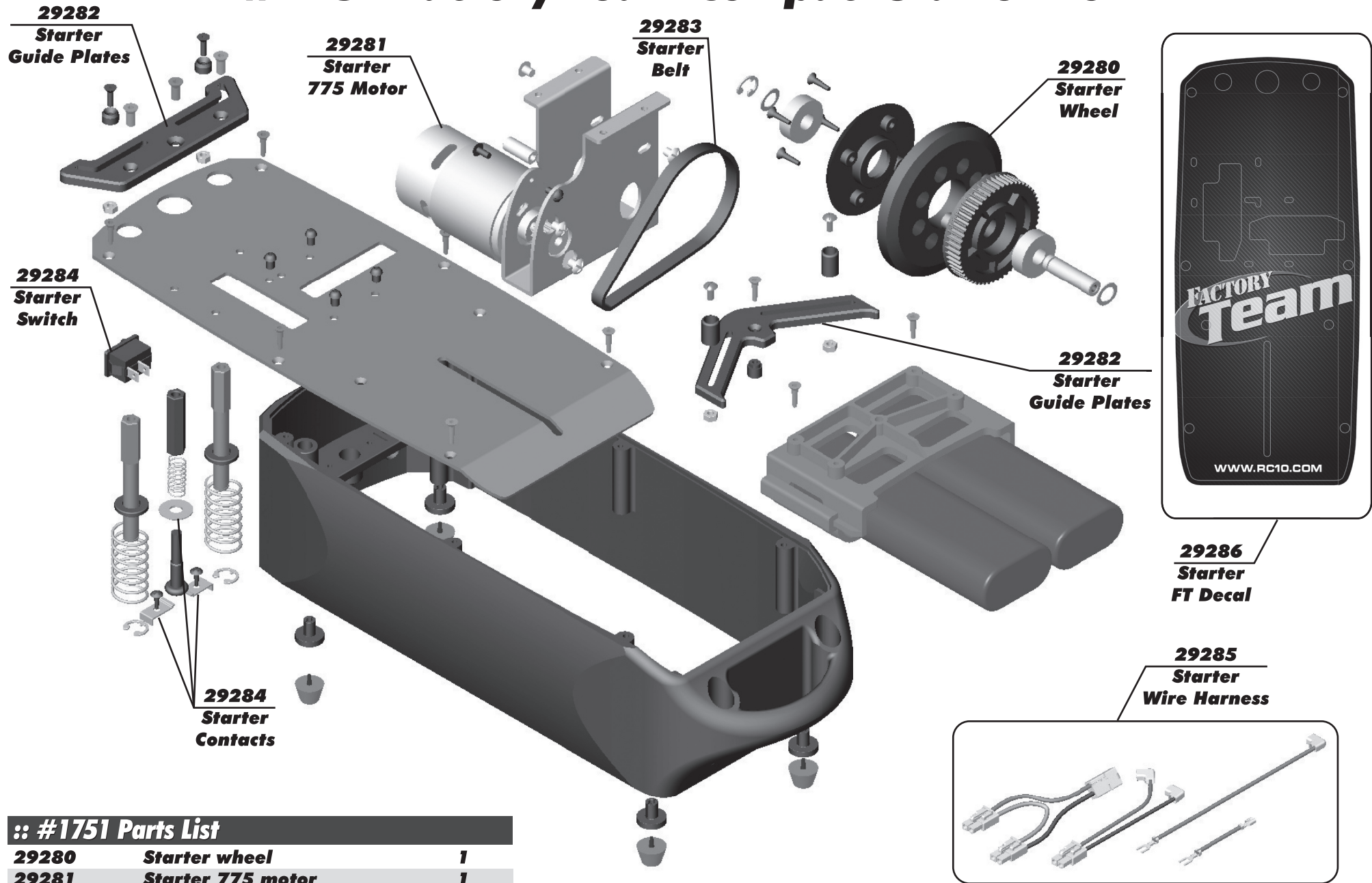


FOR 1/8 BUGGY



FOR 1/10 - 1/8 ON ROAD

#1751 Factory Team Compact Starter Box



:: #1751 Parts List

29280	Starter wheel	1
29281	Starter 775 motor	1
29282	Starter guide plates	1 ea.
29283	Starter belt	1
29284	Starter switch and contacts	1
29285	Starter wire harness	1
29286	Starter FT Decal	1

When using the Starter Box, let the motor run for one second before contact with the flywheel. This will extend the life of the battery and motor.

SPECIFICATIONS ARE SUBJECT TO BE CHANGED WITHOUT NOTICE!